

## Up-date to the service manual Studer D820 MCH

---

---

### UP-DATE Digital Signal Processing Section 1

---

Miconc .....	1.862.615.81
A/D Converter with Trafo .....	1.862.650.21
Input / Output Board .....	1.862.653.22
Peripheral Interface .....	1.862.656.25
Block Diagram	
Reference Track .....	1.862.657
Reference Track .....	1.862.657.26
SSTC Board .....	1.862.659.24
Ping Pong Board .....	1.862.662.21
Sound Memory .....	1.862.665.22
Block Diagram	
Madi Interface .....	1.862.666
Madi Interface .....	1.862.666.22/1.862.666.23
Clock Board MKII .....	1.862.667.20
CPU Pigi Bag .....	1.862.686.31
Madi Frontend .....	1.862.690.81
DP Aux Key Detection .....	1.862.812.81
DP Processor .....	1.862.815.22

### UP-DATE Headelectronics Section 2

---

Record Amplifier 48CH .....	1.862.712.21
Record Current Driver 8CH .....	1.862.716.81
Equalizer Data Detector .....	1.862.721.81

### UP-DATE Power Supply and Tape Deck Section 3

---

Tacho Sensor Electronics PCB .....	1.021.695.86
Spooling Motor Control .....	1.862.760.00
Tape Deck Display Driver PCB .....	1.820.768.85
Motor Tacho .....	1.820.771.84
Tape Lifter Control .....	1.820.773.83
Capstan Motor Drive Amplifier PCB .....	1.820.774.26/1.820.774.27
Mains Soft Start Board .....	1.820.830.84
Stabilizer +18V / 12A PCM .....	1.862.600.83
Stabilizer +5V / 30A PCM .....	1.862.601.81
Capstan Control Unit .....	1.862.764.22
MP Unit Tape Deck Control MCH .....	1.862.781.33

**UP-DATE Remotes Section 4**

---

CR Rembus & Processor .....	1.328.602.22
AI Rembus + UP PCB .....	1.328.612.23
RDP CPU .....	1.328.625.24
Parallel Audio Interface.....	1.328.630.00
Rembus Termination Plug .....	1.862.423.00

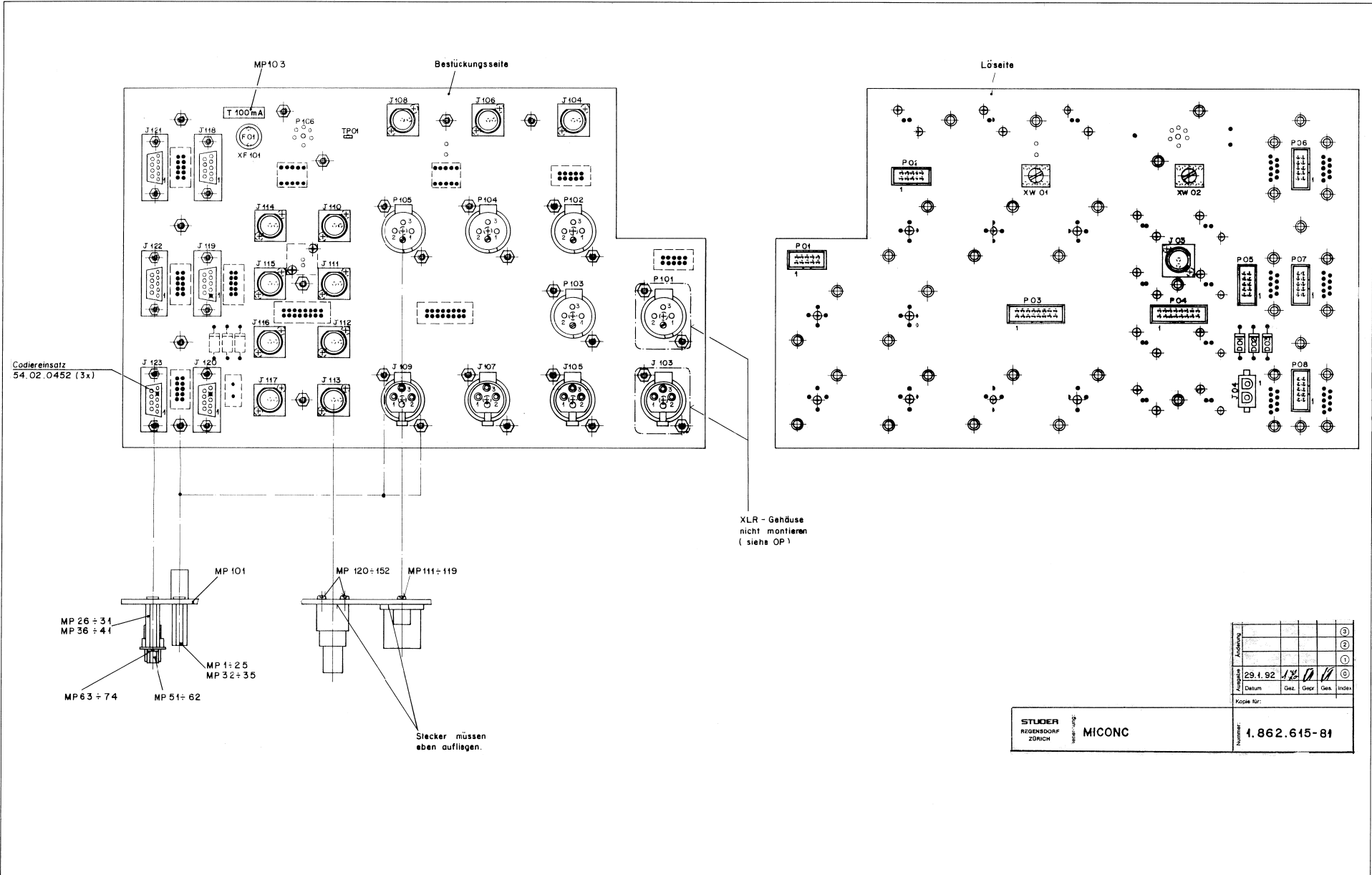
Prepared and edited by:  
STUDER Professional Audio AG  
Technical Documentation  
Althardstrasse 30  
CH-8105 Regensdorf - Switzerland  
STUDER is a registered trade mark of STUDER Professional Audio AG, Regensdorf

Copyright by STUDER Professional Audio AG  
Printed in Switzerland  
Order no. 10.27.1735 (Ed. 1195)

We reserve the right to make alterations



MICONC 1.862.615.81



Abgefragt					①
Gezeichnet					②
Geprüft					③
Freigegeben					④

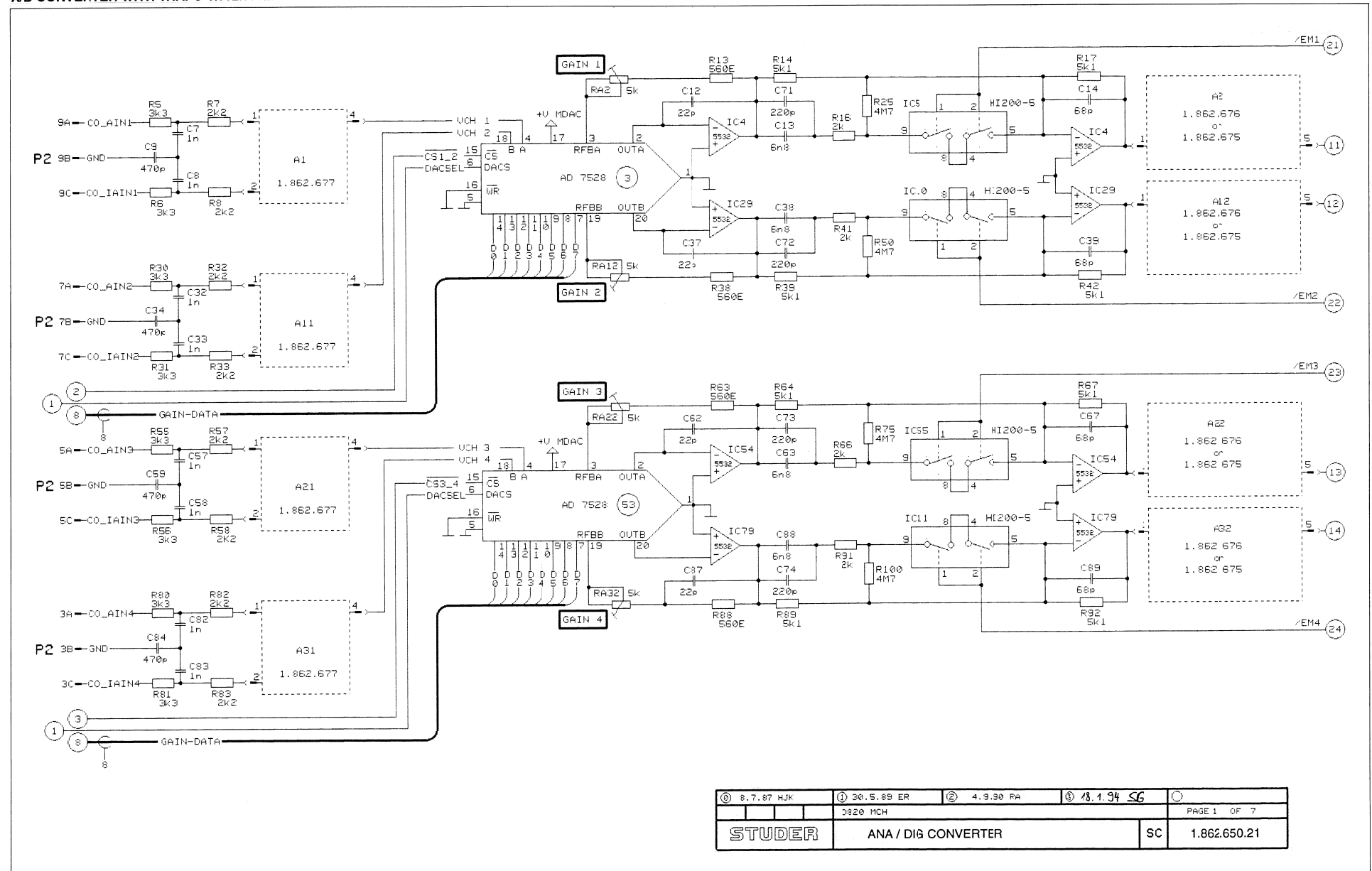
Anzahl: 29.1.92  
 Datum: 29.1.92  
 Gez.: [Signature]  
 Gez.: [Signature]  
 Gez.: [Signature]  
 Index: [Signature]  
 Kopie für:  
 Nummer: 1.862.615-81

**STUDER**  
 REGENSDORF  
 ZÜRICH  
 MICONC

MICONC 1.862.615.81

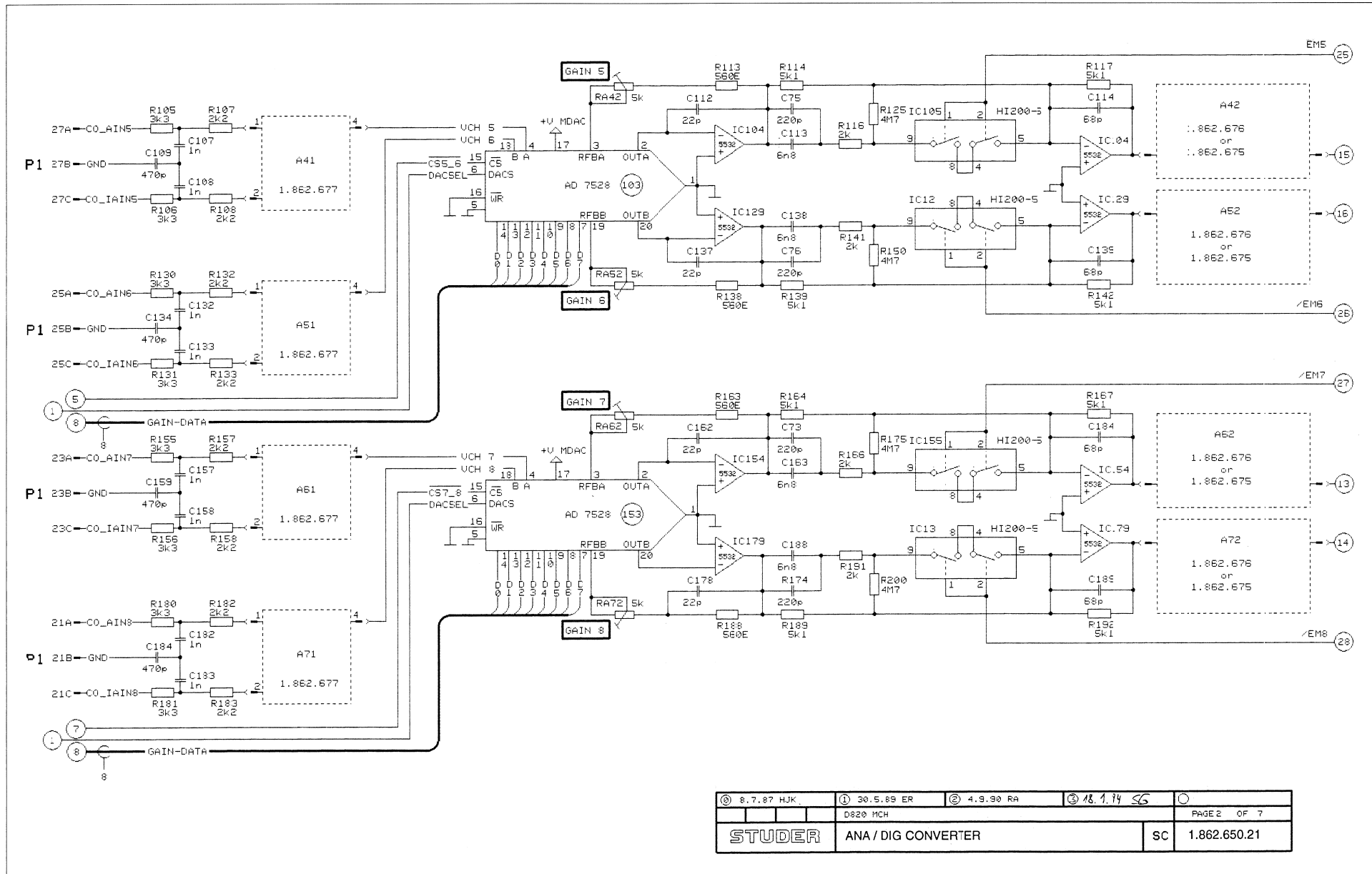
Ad	POS.	REF.No.	DESCRIPTION	MANUFACTURER	Ad	POS.	REF.No.	DESCRIPTION	MANUFACTURER
D.....1	50.04.0507		IN 5402 (3A)	ANY	MP..102	1.862.615.01	ETIK. PRINT.NR.	St	
D.....2	50.04.0507		IN 5402 (3A)	ANY	MP..103	1.010.105.51	ETIK. SICHERUNG T100mA	St	
D.....3	50.04.0507		IN 5402 (3A)	ANY					
F.....1	51.01.0107		SICHERUNG T 100MA	ANY	MP..111	20.99.0103	LIN. FORMSCHRAUBE D2,2 x 5 (XLR)	ANY	
J.....3	54.21.2020		1 POL PRINT/CHASSIS BNC	AMP	MP..112	20.99.0103	LIN. FORMSCHRAUBE D2,2 x 5 (XLR)	ANY	
J.....4	54.25.0002		2 POL W PRINT BUCHE	ANY	MP..113	20.99.0103	LIN. FORMSCHRAUBE D2,2 x 5 (XLR)	ANY	
J...103	54.21.2002		3 POL W CHASSIS/PRINT XLR	ANY	MP..114	20.99.0103	LIN. FORMSCHRAUBE D2,2 x 5 (XLR)	ANY	
J...104	54.21.2020		1 POL PRINT/CHASSIS BNC	AMP	MP..115	20.99.0103	LIN. FORMSCHRAUBE D2,2 x 5 (XLR)	ANY	
J...105	54.21.2002		3 POL W CHASSIS/PRINT XLR	ANY	MP..116	20.99.0103	LIN. FORMSCHRAUBE D2,2 x 5 (XLR)	ANY	
J...106	54.21.2020		1 POL PRINT/CHASSIS BNC	AMP	MP..117	20.99.0103	LIN. FORMSCHRAUBE D2,2 x 5 (XLR)	ANY	
J...107	54.21.2002		3 POL W CHASSIS/PRINT XLR	ANY	MP..118	20.99.0103	LIN. FORMSCHRAUBE D2,2 x 5 (XLR)	ANY	
J...108	54.21.2020		1 POL PRINT/CHASSIS BNC	AMP	MP..119	20.99.0103	LIN. FORMSCHRAUBE D2,2 x 5 (XLR)	ANY	
J...109	54.21.2002		3 POL W CHASSIS/PRINT XLR	ANY	MP..120	20.24.7280	LIN. FORMSCHRAUBE D2,5 x 8 (BNC)	ANY	
J...110	54.21.2020		1 POL PRINT/CHASSIS BNC	AMP	MP..121	20.24.7280	LIN. FORMSCHRAUBE D2,5 x 8 (BNC)	ANY	
J...111	54.21.2020		1 POL PRINT/CHASSIS BNC	AMP	MP..122	20.24.7280	LIN. FORMSCHRAUBE D2,5 x 8 (BNC)	ANY	
J...112	54.21.2020		1 POL PRINT/CHASSIS BNC	AMP	MP..123	20.24.7280	LIN. FORMSCHRAUBE D2,5 x 8 (BNC)	ANY	
J...113	54.21.2020		1 POL PRINT/CHASSIS BNC	AMP	MP..124	20.24.7280	LIN. FORMSCHRAUBE D2,5 x 8 (BNC)	ANY	
J...114	54.21.2020		1 POL PRINT/CHASSIS BNC	AMP	MP..125	20.24.7280	LIN. FORMSCHRAUBE D2,5 x 8 (BNC)	ANY	
J...115	54.21.2020		1 POL PRINT/CHASSIS BNC	AMP	MP..126	20.24.7280	LIN. FORMSCHRAUBE D2,5 x 8 (BNC)	ANY	
J...116	54.21.2020		1 POL PRINT/CHASSIS BNC	AMP	MP..127	20.24.7280	LIN. FORMSCHRAUBE D2,5 x 8 (BNC)	ANY	
J...117	54.21.2020		1 POL PRINT/CHASSIS BNC	AMP	MP..128	20.24.7280	LIN. FORMSCHRAUBE D2,5 x 8 (BNC)	ANY	
J...118	54.13.0036		9 POL W D-SUB	ANY	MP..129	20.24.7280	LIN. FORMSCHRAUBE D2,5 x 8 (BNC)	ANY	
J...119	54.13.0036		9 POL W D-SUB	ANY	MP..130	20.24.7280	LIN. FORMSCHRAUBE D2,5 x 8 (BNC)	ANY	
J...120	54.13.0036		9 POL W D-SUB	ANY	MP..131	20.24.7280	LIN. FORMSCHRAUBE D2,5 x 8 (BNC)	ANY	
J...121	54.13.0036		9 POL W D-SUB	ANY	MP..132	20.24.7280	LIN. FORMSCHRAUBE D2,5 x 8 (BNC)	ANY	
J...122	54.13.0036		9 POL W D-SUB	ANY	MP..133	20.24.7280	LIN. FORMSCHRAUBE D2,5 x 8 (BNC)	ANY	
J...123	54.13.0036		9 POL W D-SUB	ANY	MP..134	20.24.7280	LIN. FORMSCHRAUBE D2,5 x 8 (BNC)	ANY	
MP...1	1.862.615.02		NIETMUTTER M3 X 19,7 (XLR,2,4MM PRINT)	St	MP..135	20.24.7280	LIN. FORMSCHRAUBE D2,5 x 8 (BNC)	ANY	
MP...2	1.862.615.02		NIETMUTTER M3 X 19,7 (XLR,2,4MM PRINT)	St	MP..136	20.24.7280	LIN. FORMSCHRAUBE D2,5 x 8 (BNC)	ANY	
MP...3	1.862.615.02		NIETMUTTER M3 X 19,7 (XLR,2,4MM PRINT)	St	MP..137	20.24.7280	LIN. FORMSCHRAUBE D2,5 x 8 (BNC)	ANY	
MP...4	1.862.615.02		NIETMUTTER M3 X 19,7 (XLR,2,4MM PRINT)	St	MP..138	20.24.7280	LIN. FORMSCHRAUBE D2,5 x 8 (BNC)	ANY	
MP...5	1.862.615.02		NIETMUTTER M3 X 19,7 (XLR,2,4MM PRINT)	St	MP..139	20.24.7280	LIN. FORMSCHRAUBE D2,5 x 8 (BNC)	ANY	
MP...6	1.862.615.02		NIETMUTTER M3 X 19,7 (XLR,2,4MM PRINT)	St	MP..140	20.24.7280	LIN. FORMSCHRAUBE D2,5 x 8 (BNC)	ANY	
MP...7	1.862.615.02		NIETMUTTER M3 X 19,7 (XLR,2,4MM PRINT)	St	MP..141	20.24.7280	LIN. FORMSCHRAUBE D2,5 x 8 (BNC)	ANY	
MP...8	1.862.615.02		NIETMUTTER M3 X 19,7 (XLR,2,4MM PRINT)	St	MP..142	20.24.7280	LIN. FORMSCHRAUBE D2,5 x 8 (BNC)	ANY	
MP...9	1.862.615.02		NIETMUTTER M3 X 19,7 (XLR,2,4MM PRINT)	St	MP..143	20.24.7280	LIN. FORMSCHRAUBE D2,5 x 8 (BNC)	ANY	
MP...10	1.862.615.02		NIETMUTTER M3 X 19,7 (XLR,2,4MM PRINT)	St	P.....1	54.14.4010	ACTION PIN 10P, SN, GERADE	AMP	
MP...11	1.862.615.02		NIETMUTTER M3 X 19,7 (XLR,2,4MM PRINT)	St	P.....2	54.14.4010	ACTION PIN 10P, SN, GERADE	AMP	
MP...12	1.862.615.02		NIETMUTTER M3 X 19,7 (XLR,2,4MM PRINT)	St	P.....3	54.14.4016	ACTION PIN 16P, SN, GERADE	AMP	
MP...13	1.862.615.02		NIETMUTTER M3 X 19,7 (XLR,2,4MM PRINT)	St	P.....4	54.14.4016	ACTION PIN 16P, SN, GERADE	AMP	
MP...14	1.862.615.02		NIETMUTTER M3 X 19,7 (XLR,2,4MM PRINT)	St	P.....5	54.14.4010	ACTION PIN 10P, SN, GERADE	AMP	
MP...15	1.862.615.02		NIETMUTTER M3 X 19,7 (XLR,2,4MM PRINT)	St	P.....6	54.14.4010	ACTION PIN 10P, SN, GERADE	AMP	
MP...16	1.862.615.02		NIETMUTTER M3 X 19,7 (XLR,2,4MM PRINT)	St	P.....7	54.14.4010	ACTION PIN 10P, SN, GERADE	AMP	
MP...17	1.862.615.02		NIETMUTTER M3 X 19,7 (XLR,2,4MM PRINT)	St	P.....8	54.14.4010	ACTION PIN 10P, SN, GERADE	AMP	
MP...18	1.862.615.02		NIETMUTTER M3 X 19,7 (XLR,2,4MM PRINT)	St	P...101	54.21.2001	3 POL M CHASSIS/PRINT XLR	ANY	
MP...19	1.862.615.02		NIETMUTTER M3 X 19,7 (XLR,2,4MM PRINT)	St	P...102	54.21.2001	3 POL M CHASSIS/PRINT XLR	ANY	
MP...20	1.862.615.02		NIETMUTTER M3 X 19,7 (XLR,2,4MM PRINT)	St	P...103	54.21.2001	3 POL M CHASSIS/PRINT XLR	ANY	
MP...21	1.862.615.02		NIETMUTTER M3 X 19,7 (XLR,2,4MM PRINT)	St	P...104	54.21.2001	3 POL M CHASSIS/PRINT XLR	ANY	
MP...22	1.862.615.02		NIETMUTTER M3 X 19,7 (XLR,2,4MM PRINT)	St	P...105	54.21.2001	3 POL M CHASSIS/PRINT XLR	ANY	
MP...23	1.862.615.02		NIETMUTTER M3 X 19,7 (XLR,2,4MM PRINT)	St					
MP...24	1.862.615.02		NIETMUTTER M3 X 19,7 (XLR,2,4MM PRINT)	St	01 XF..101	53.03.0116	SICHERUNGSHALTER STEHEND	ANY	
MP...25	1.862.615.02		NIETMUTTER M3 X 19,7 (XLR,2,4MM PRINT)	St	XW...10	53.05.0147	POWER TERMINAL ACTION PIN	AMP	
MP...26	1.862.615.03		NIETMUTTER M3 X 20,5 (DSUB,2,4MM PRINT)	St	XW...20	53.05.0147	POWER TERMINAL ACTION PIN	AMP	
MP...27	1.862.615.03		NIETMUTTER M3 X 20,5 (DSUB,2,4MM PRINT)	St					
MP...28	1.862.615.03		NIETMUTTER M3 X 20,5 (DSUB,2,4MM PRINT)	St	REMARKS:				
MP...29	1.862.615.03		NIETMUTTER M3 X 20,5 (DSUB,2,4MM PRINT)	St	Andersung von 00 auf 01 : XF1 ist neu XF101				
MP...30	1.862.615.03		NIETMUTTER M3 X 20,5 (DSUB,2,4MM PRINT)	St	MANUFACTURERS: ST = STUDER, PH = PHILLIPS,				
MP...31	1.862.615.03		NIETMUTTER M3 X 20,5 (DSUB,2,4MM PRINT)	St					
MP...32	1.862.615.02		NIETMUTTER M3 X 19,7 (XLR,2,4MM PRINT)	St					
MP...33	1.862.615.02		NIETMUTTER M3 X 19,7 (XLR,2,4MM PRINT)	St					
MP...34	1.862.615.02		NIETMUTTER M3 X 19,7 (XLR,2,4MM PRINT)	St					
MP...35	1.862.615.03		NIETMUTTER M3 X 20,5 (DSUB,2,4MM PRINT)	St					
MP...36	1.862.615.03		NIETMUTTER M3 X 20,5 (DSUB,2,4MM PRINT)	St					
MP...37	1.862.615.03		NIETMUTTER M3 X 20,5 (DSUB,2,4MM PRINT)	St					
MP...38	1.862.615.03		NIETMUTTER M3 X 20,5 (DSUB,2,4MM PRINT)	St					
MP...39	1.862.615.03		NIETMUTTER M3 X 20,5 (DSUB,2,4MM PRINT)	St					
MP...40	1.862.615.03		NIETMUTTER M3 X 20,5 (DSUB,2,4MM PRINT)	St					
MP...41	1.862.615.03		NIETMUTTER M3 X 20,5 (DSUB,2,4MM PRINT)	St					
MP...51	1.010.035.54		VERRIEGELUNGS-GEWINDEBOLZEN	St					
MP...52	1.010.035.54		VERRIEGELUNGS-GEWINDEBOLZEN	St					
MP...53	1.010.035.54		VERRIEGELUNGS-GEWINDEBOLZEN	St					
MP...54	1.010.035.54		VERRIEGELUNGS-GEWINDEBOLZEN	St					
MP...55	1.010.035.54		VERRIEGELUNGS-GEWINDEBOLZEN	St					
MP...56	1.010.035.54		VERRIEGELUNGS-GEWINDEBOLZEN	St					
MP...57	1.010.035.54		VERRIEGELUNGS-GEWINDEBOLZEN	St					
MP...58	1.010.035.54		VERRIEGELUNGS-GEWINDEBOLZEN	St					
MP...59	1.010.035.54		VERRIEGELUNGS-GEWINDEBOLZEN	St					
MP...60	1.010.035.54		VERRIEGELUNGS-GEWINDEBOLZEN	St					
MP...61	1.010.035.54		VERRIEGELUNGS-GEWINDEBOLZEN	St					
MP...62	1.010.035.54		VERRIEGELUNGS-GEWINDEBOLZEN	St					
MP...63	24.16.1030		SICHERUNGS-SCHIEBE	ANY					
MP...64	24.16.1030		SICHERUNGS-SCHIEBE	ANY					
MP...65	24.16.1030		SICHERUNGS-SCHIEBE	ANY					
MP...66	24.16.1030		SICHERUNGS-SCHIEBE	ANY					
MP...67	24.16.1030		SICHERUNGS-SCHIEBE	ANY					
MP...68	24.16.1030		SICHERUNGS-SCHIEBE	ANY					
MP...69	24.16.1030		SICHERUNGS-SCHIEBE	ANY					
MP...70	24.16.1030		SICHERUNGS-SCHIEBE	ANY					
MP...71	24.16.1030		SICHERUNGS-SCHIEBE	ANY					
MP...72	24.16.1030		SICHERUNGS-SCHIEBE	ANY					
MP...73	24.16.1030		SICHERUNGS-SCHIEBE	ANY					
MP...74	24.16.1030		SICHERUNGS-SCHIEBE	ANY					
MP...101	1.862.615.13		MICONC PCB	St					

A/D CONVERTER WITH TRAF0 1.862.650.21



⑥ 8.7.87 HJK	① 30.5.89 ER	② 4.9.90 PA	③ 18.1.94 SG	○
D820 MCH				PAGE 1 OF 7
STUDER		ANA / DIG CONVERTER		SC 1.862.650.21

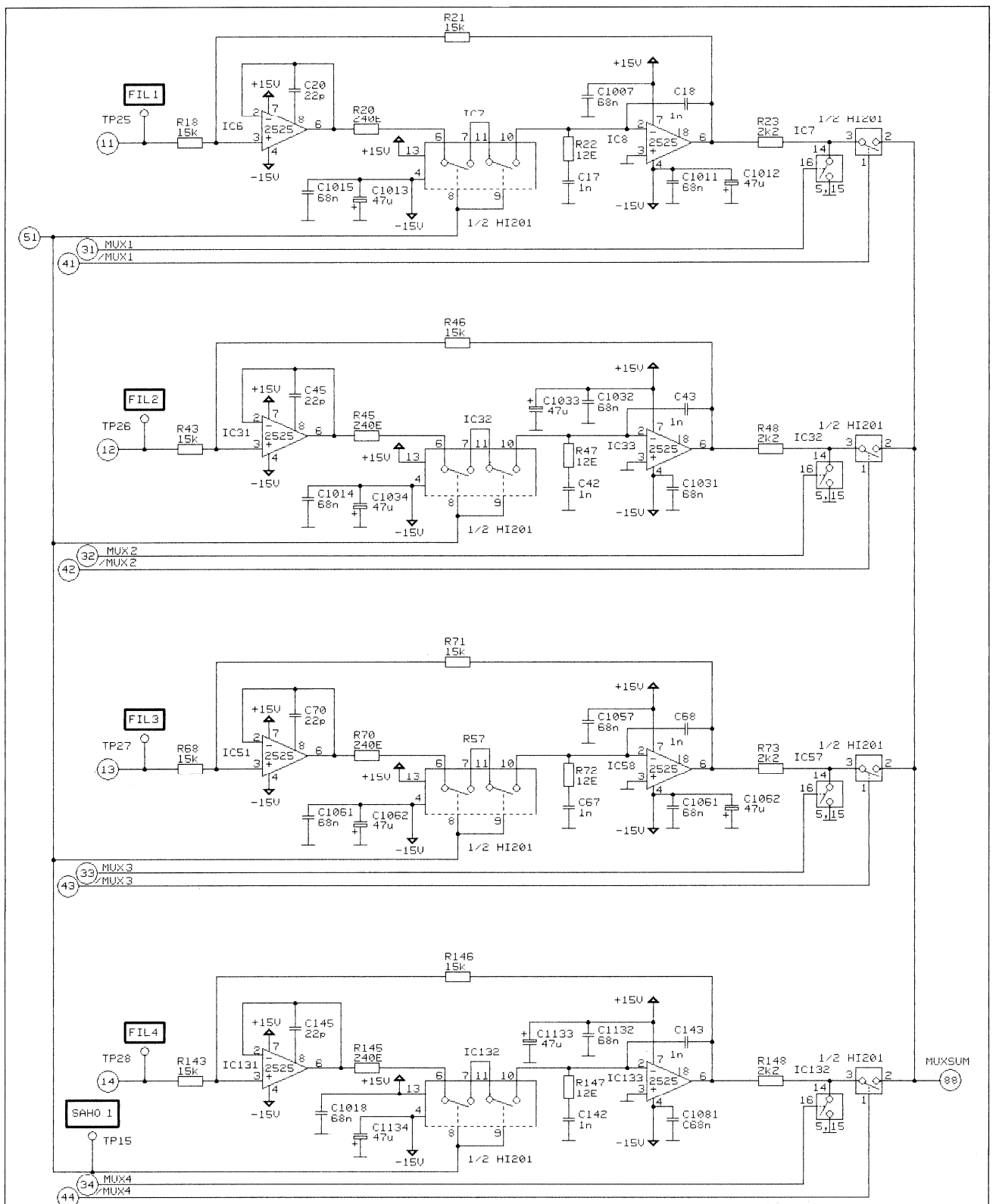
A/D CONVERTER WITH TRAF0 1.862.650.21



8.7.87 HJK	30.5.89 ER	4.9.90 RA	18.1.74 SG	
D820 MCH				PAGE 2 OF 7
STUDER ANA / DIG CONVERTER			SC	1.862.650.21



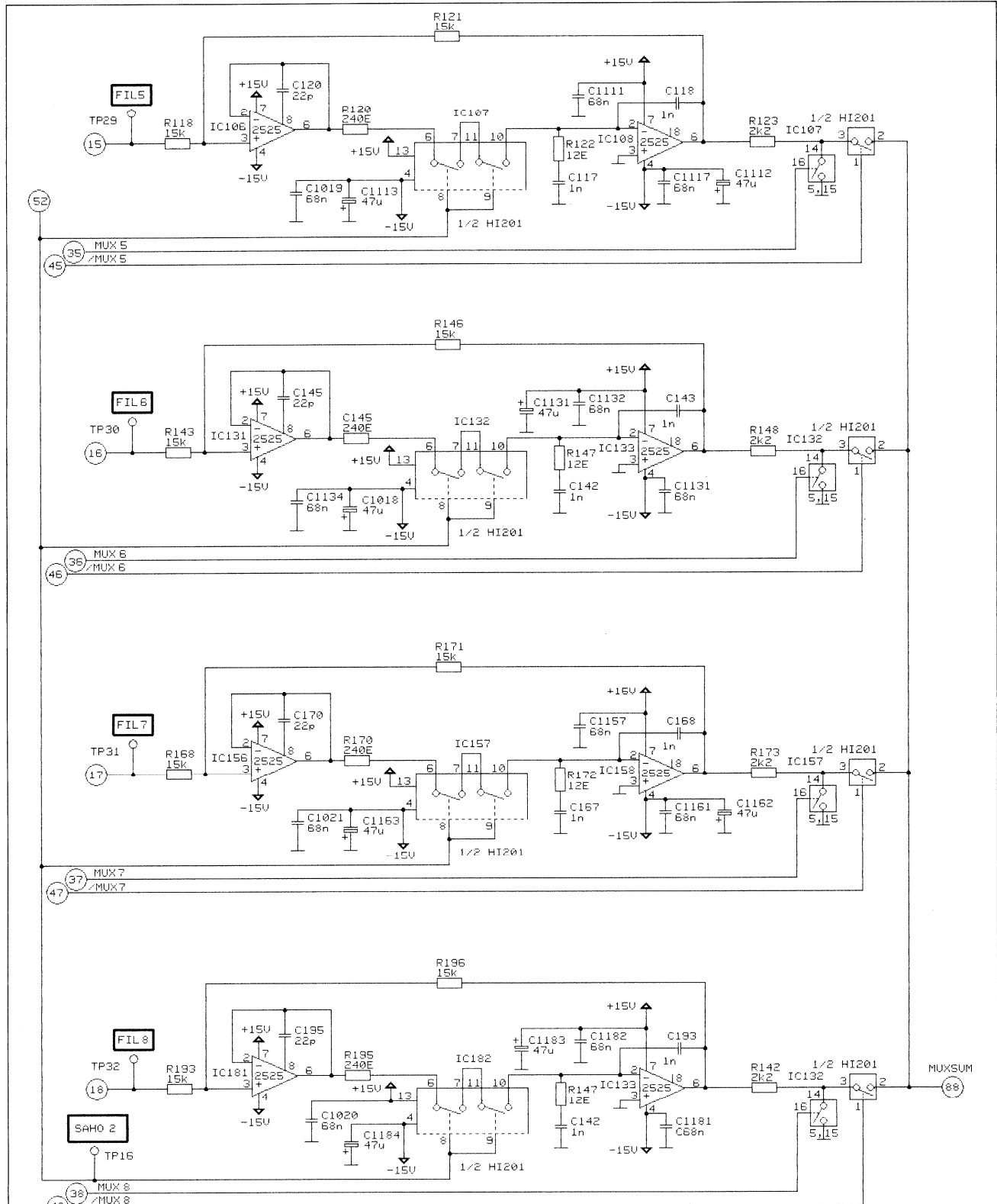
A/D CONVERTER WITH TRAF0 1.862.650.21



① 8.7.87 HJK	① 30.5.89 ER	② 4.9.90 RA	③ 18.1.94 SC	○
D820 MCH		PAGE 3 OF 7		
STUDER		ANA / DIG CONVERTER		SC 1.862.650.21

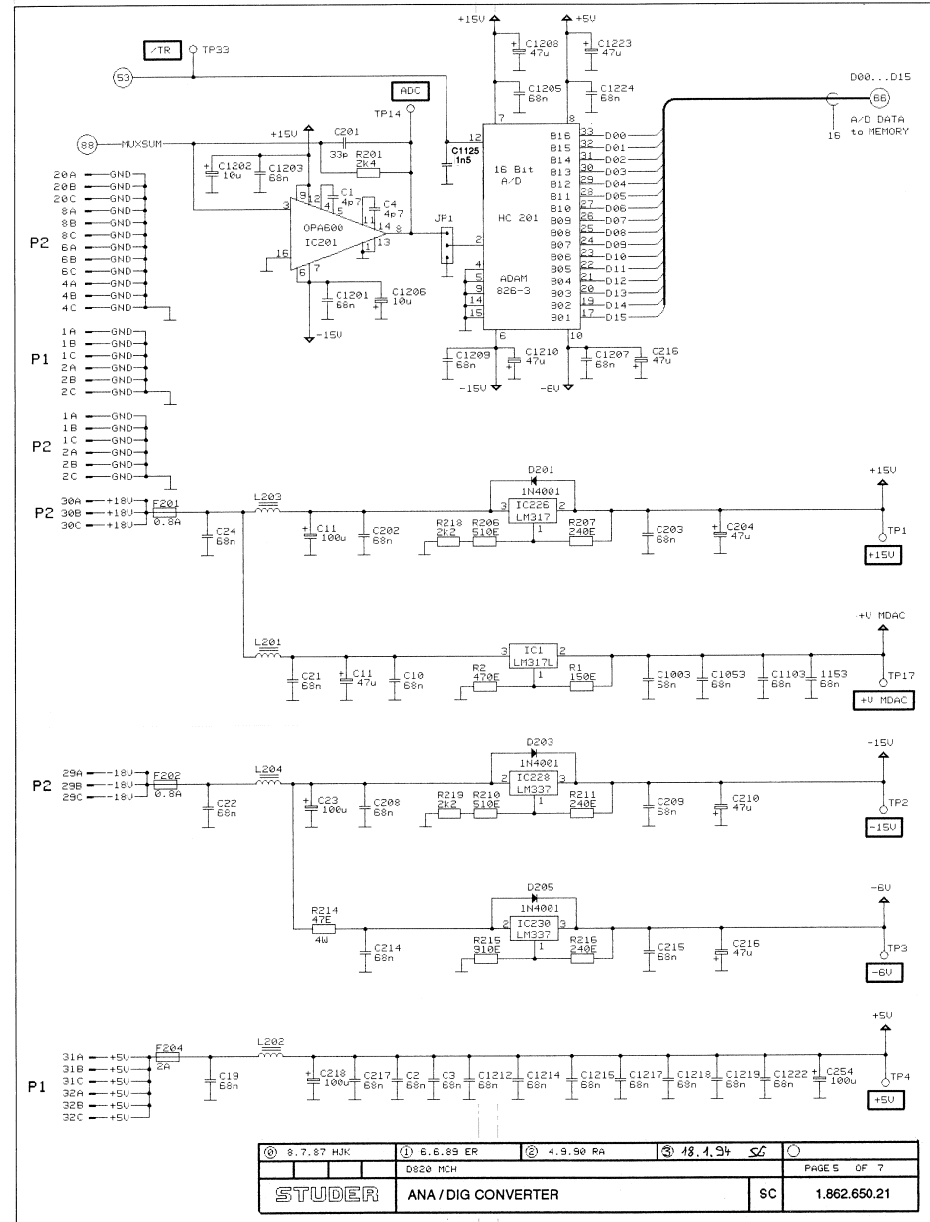


A/D CONVERTER WITH TRAF0 1.862.650.21

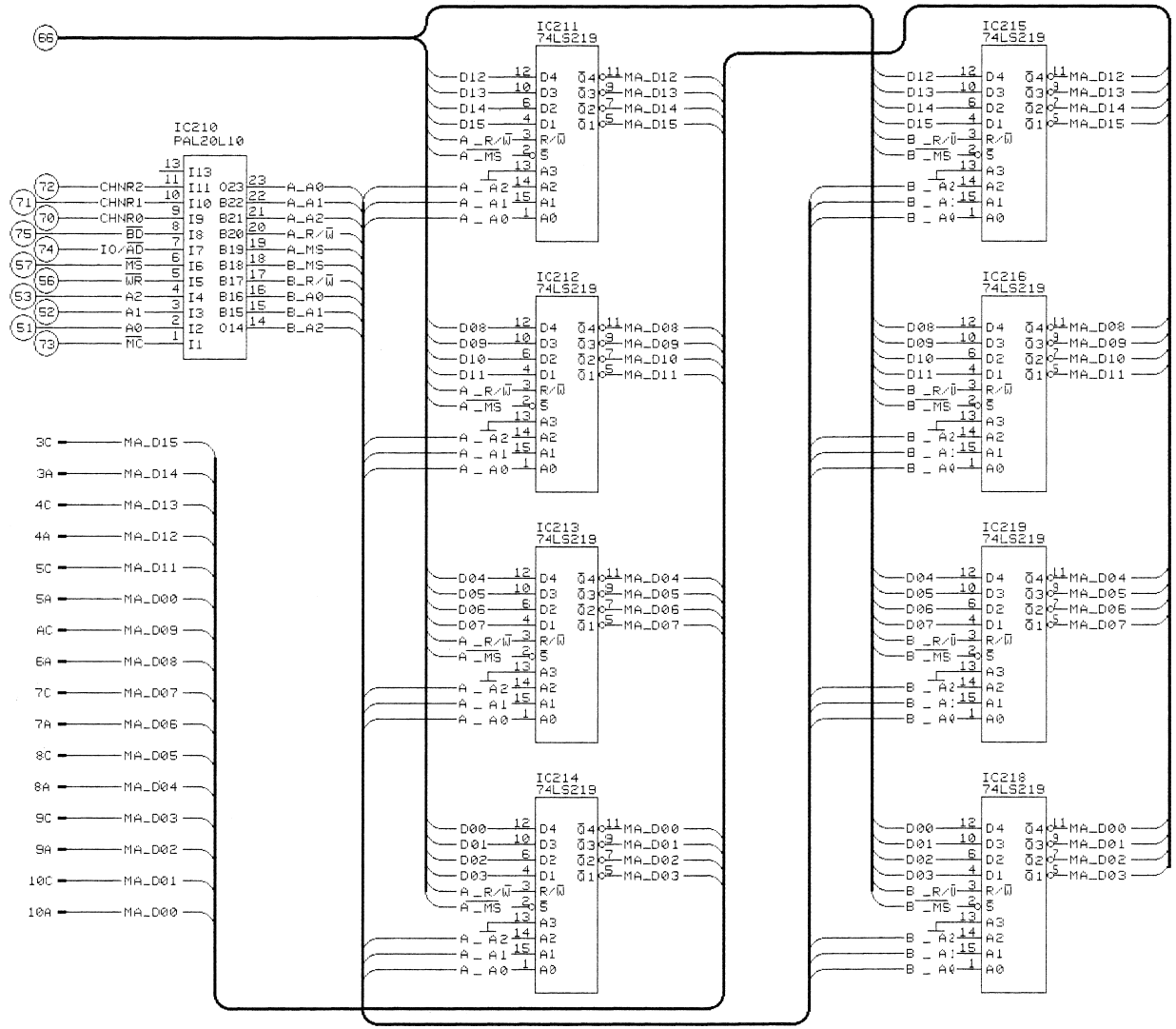


① 8.7.87 HJK	② 30.5.89 ER	③ 4.3.90 RA	④ 1.94 SG	○
	D820 MCH			PAGE 4 OF 7
<b>STUDER</b>	<b>ANA / DIG CONVERTER</b>		SC	1.862.650.21

A/D CONVERTER WITH TRAF0 1.862.650.21



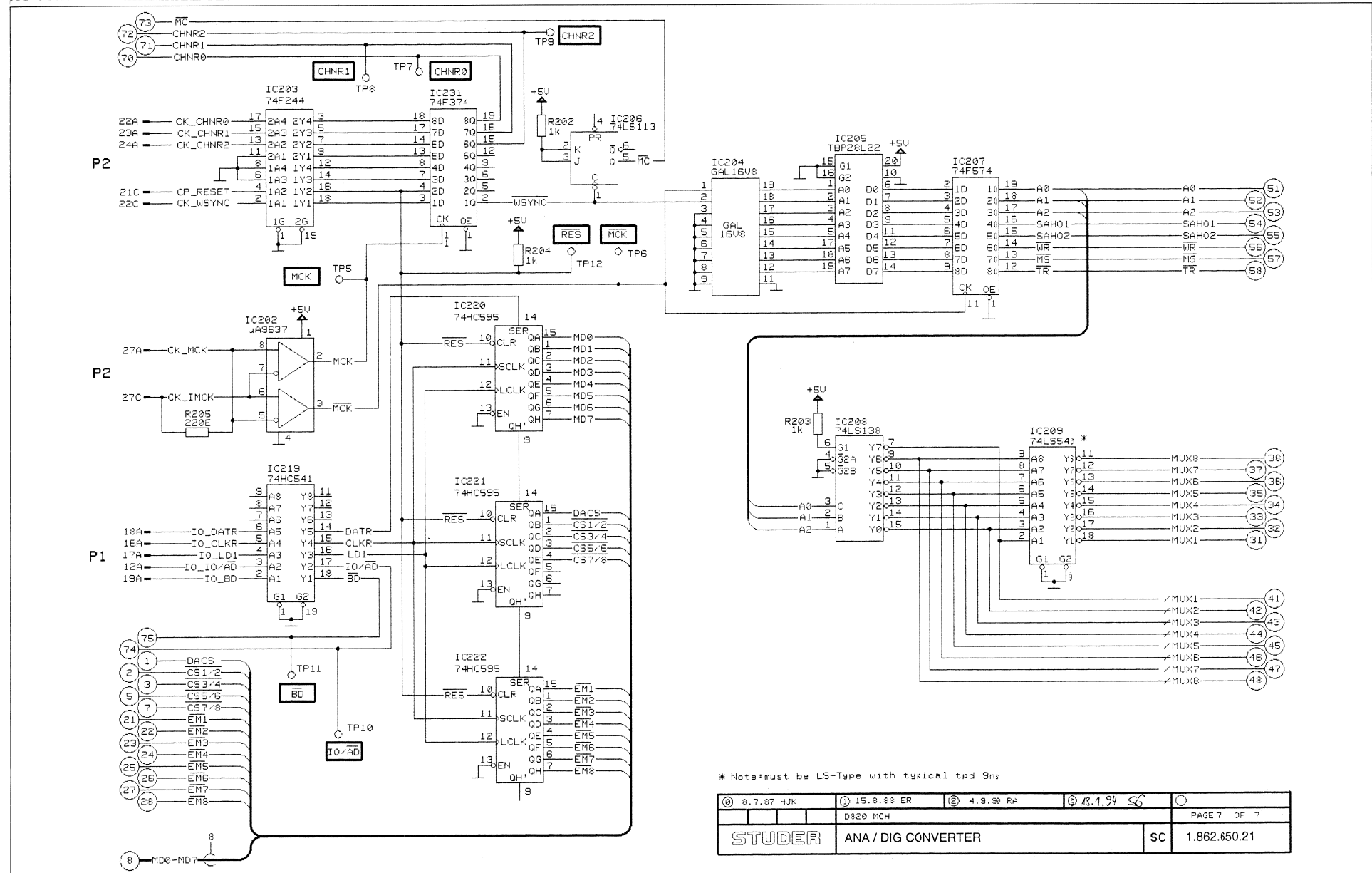
A/D CONVERTER WITH TRAF0 1.862.650.21



① 8.7.87 HJK	② 15.8.88. ER	③ 4.9.90 RA	④ 18.1.94 SC	⑤
D820 MCH				PAGE 6 OF 7
STUDER ANA / DIG CONVERTER			SC	1.862.650.21



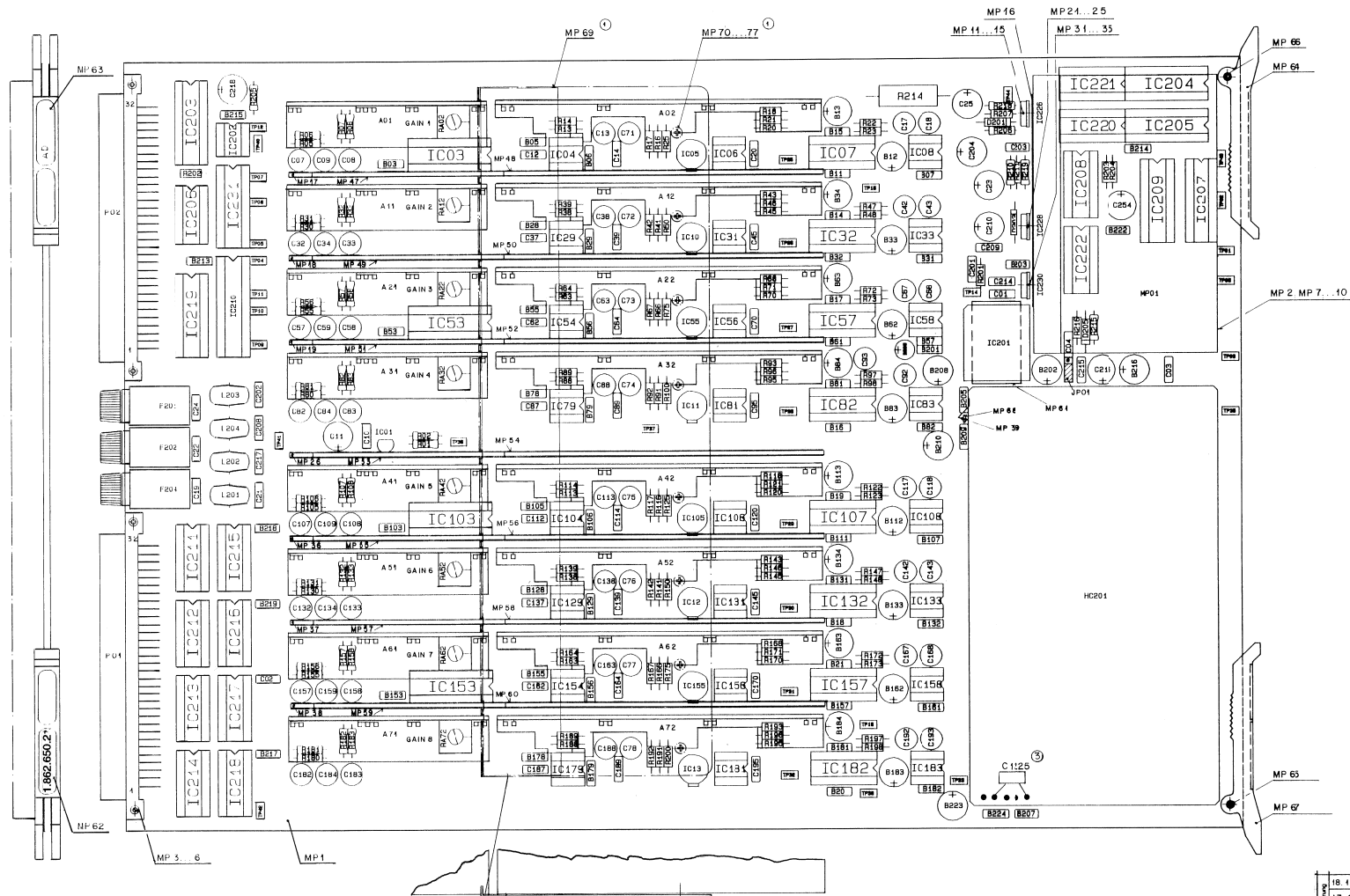
A/D CONVERTER WITH TRAF0 1.862.650.21



\* Note: must be LS-Type with typical tpd 9ns

© 8.7.87 HJK	© 15.8.88 EP	© 4.9.90 RA	© 18.1.94 SC	○
D820 MCH				PAGE 7 OF 7
STUDER		ANA / DIG CONVERTER		SC 1.862.650.21

A/D CONVERTER WITH TRAF0 1.862.650.21



Schilder MP 40...45  
aufgeklebt nach Fabrikationsmuster.  
IC Sockel nach PL bestückt  
z.B. XIC 03 = Sockel von IC03

Änderung	18.1.94	2A				(3)
	13.8.92	22				(2)
	18.5.92	21				(1)
Änderung	17.10.94	23				(0)
Datum		Gest.	Gepr.	Gek.	Instr.	

Kopie Nr:

STUDER REGENDORF ZÜRICH	A/D CONVERTER WITH TRAF0	ESE	1.862.650-21
-------------------------------	-----------------------------	-----	--------------



A/D CONVERTER WITH TRAF0 1.862.650.21

Ad	..POS..	..REF.No..	DESCRIPTION.....	MANUFACTURER	Ad	..POS..	..REF.No..	DESCRIPTION.....	MANUFACTURER
A....1	1.862.677.00		BACKBAG A/D, INPUT MODULE	St	C...139	59.34.4680	68 p 20%, 50V, CER		ANY
A....2	1.862.676.81		BACKBAG A/D, ANTI ALIASING FILTER	St	C...142	59.05.1102	1 n 1%, 160V, PP		ANY
A....11	1.862.677.00		BACKBAG A/D, INPUT MODULE	St	C...143	59.05.1102	1 n 1%, 160V, PP		ANY
A....12	1.862.676.81		BACKBAG A/D, ANTI ALIASING FILTER	St	C...145	59.34.2220	22 p 20%, 50V, CER		ANY
A....21	1.862.677.00		BACKBAG A/D, INPUT MODULE	St	C...157	59.05.2102	1 n 2.5%, 160V, PP		ANY
A....22	1.862.676.81		BACKBAG A/D, ANTI ALIASING FILTER	St	C...158	59.05.2102	1 n 2.5%, 160V, PP		ANY
A....31	1.862.677.00		BACKBAG A/D, INPUT MODULE	St	C...159	59.05.2471	470 p 2.5%, 160V, PP		ANY
A....32	1.862.676.81		BACKBAG A/D, ANTI ALIASING FILTER	St	C...162	59.34.2220	22 p 20%, 50V, CER		ANY
A....41	1.862.677.00		BACKBAG A/D, INPUT MODULE	St	C...163	59.05.1682	6.8 n 1%, 50V, PP		ANY
A....42	1.862.676.81		BACKBAG A/D, ANTI ALIASING FILTER	St	C...164	59.34.4680	68 p 20%, 50V, CER		ANY
A....51	1.862.677.00		BACKBAG A/D, INPUT MODULE	St	C...167	59.05.1102	1 n 1%, 160V, PP		ANY
A....52	1.862.676.81		BACKBAG A/D, ANTI ALIASING FILTER	St	C...168	59.05.1102	1 n 1%, 160V, PP		ANY
A....61	1.862.677.00		BACKBAG A/D, INPUT MODULE	St	C...170	59.34.2220	22 p 20%, 50V, CER		ANY
A....62	1.862.676.81		BACKBAG A/D, ANTI ALIASING FILTER	St	C...182	59.05.2102	1 n 2.5%, 160V, PP		ANY
A....71	1.862.677.00		BACKBAG A/D, INPUT MODULE	St	C...183	59.05.2102	1 n 2.5%, 160V, PP		ANY
A....72	1.862.676.81		BACKBAG A/D, ANTI ALIASING FILTER	St	C...184	59.05.2471	470 p 2.5%, 160V, PP		ANY
C....1	59.34.0479	4.7 p 20%, 50V, CER		ANY	C...187	59.34.2220	22 p 20%, 50V, CER		ANY
C....2	59.06.0683	68 n 20%, 50V, CER		ANY	C...188	59.05.1682	6.8 n 1%, 50V, PP		ANY
C....3	59.06.0683	68 n 20%, 50V, CER		ANY	C...189	59.34.4680	68 p 20%, 50V, CER		ANY
C....4	59.34.0479	4.7 p 20%, 50V, CER		ANY	C...192	59.05.1102	1 n 1%, 160V, PP		ANY
C....7	59.05.2102	1 n 2.5%, 160V, PP		ANY	C...193	59.05.1102	1 n 1%, 160V, PP		ANY
C....8	59.05.2102	1 n 2.5%, 160V, PP		ANY	C...195	59.34.2220	22 p 20%, 50V, CER		ANY
C....9	59.05.2471	470 p 2.5%, 160V, PP		ANY	C...201	59.34.2330	33 p 20%, 50V, CER		ANY
C....10	59.06.0683	68 n 20%, 50V, CER		ANY	C...202	59.06.0683	68 n 20%, 50V, CER		ANY
C....11	59.22.5470	47 u 20%, 16V, EL		ANY	C...203	59.06.0683	68 n 20%, 50V, CER		ANY
C....12	59.34.2220	22 p 20%, 50V, CER		ANY	C...208	59.22.5470	47 u 20%, 25V, EL		ANY
C....13	59.05.1682	6.8 n 1%, 50V, PP		ANY	C...208	59.06.0683	68 n 20%, 50V, CER		ANY
C....14	59.34.4680	68 p 20%, 50V, CER		ANY	C...209	59.06.0683	68 n 20%, 50V, CER		ANY
C....17	59.05.1102	1 n 1%, 160V, PP		ANY	C...210	59.22.5470	47 u 20%, 25V, EL		ANY
C....18	59.05.1102	1 n 1%, 160V, PP		ANY	C...214	59.06.0683	68 n 20%, 50V, CER		ANY
C....19	59.06.0683	68 n 20%, 50V, CER		ANY	C...215	59.06.0683	68 n 20%, 50V, CER		ANY
C....20	59.34.2220	22 p 20%, 50V, CER		ANY	C...216	59.22.5101	100 u 20%, 25V, EL		ANY
C....21	59.06.0683	68 n 20%, 50V, CER		ANY	C...217	59.06.0683	68 n 20%, 50V, CER		ANY
C....22	59.06.0683	68 n 20%, 50V, CER		ANY	C...218	59.22.5101	100 u 20%, 25V, EL		ANY
C....23	59.22.5101	100 u 20%, 25V, EL		ANY	C...254	59.22.5101	100 u 20%, 25V, EL		ANY
C....24	59.06.0683	68 n 20%, 50V, CER		ANY	C..1003	59.06.0683	68 n 20%, 50V, CER		ANY
C....25	59.22.5101	100 u 20%, 25V, EL		ANY	C..1005	59.06.0683	68 n 20%, 50V, CER		ANY
C....32	59.05.2102	1 n 2.5%, 160V, PP		ANY	C..1006	59.06.0683	68 n 20%, 50V, CER		ANY
C....33	59.05.2102	1 n 2.5%, 160V, PP		ANY	C..1007	59.06.0683	68 n 20%, 50V, CER		ANY
C....34	59.05.2471	470 p 2.5%, 160V, PP		ANY	C..1011	59.06.0683	68 n 20%, 50V, CER		ANY
C....37	59.34.2220	22 p 20%, 50V, CER		ANY	C..1012	59.22.5470	47 u 20%, 25V, EL		ANY
C....38	59.05.1682	6.8 n 1%, 50V, PP		ANY	C..1013	59.22.5470	47 u 20%, 25V, EL		ANY
C....39	59.34.4680	68 p 20%, 50V, CER		ANY	C..1014	59.06.0683	68 n 20%, 50V, CER		ANY
C....42	59.05.1102	1 n 1%, 160V, PP		ANY	C..1015	59.06.0683	68 n 20%, 50V, CER		ANY
C....43	59.05.1102	1 n 1%, 160V, PP		ANY	C..1016	59.06.0683	68 n 20%, 50V, CER		ANY
C....45	59.34.2220	22 p 20%, 50V, CER		ANY	C..1017	59.06.0683	68 n 20%, 50V, CER		ANY
C....57	59.05.2102	1 n 2.5%, 160V, PP		ANY	C..1018	59.06.0683	68 n 20%, 50V, CER		ANY
C....58	59.05.2102	1 n 2.5%, 160V, PP		ANY	C..1019	59.06.0683	68 n 20%, 50V, CER		ANY
C....59	59.05.2471	470 p 2.5%, 160V, PP		ANY	C..1020	59.06.0683	68 n 20%, 50V, CER		ANY
C....62	59.34.2220	22 p 20%, 50V, CER		ANY	C..1021	59.06.0683	68 n 20%, 50V, CER		ANY
C....63	59.05.1682	6.8 n 1%, 50V, PP		ANY	C..1028	59.06.0683	68 n 20%, 50V, CER		ANY
C....64	59.34.4680	68 p 20%, 50V, CER		ANY	C..1029	59.06.0683	68 n 20%, 50V, CER		ANY
C....67	59.05.1102	1 n 1%, 160V, PP		ANY	C..1031	59.06.0683	68 n 20%, 50V, CER		ANY
C....68	59.05.1102	1 n 1%, 160V, PP		ANY	C..1032	59.06.0683	68 n 20%, 50V, CER		ANY
C....70	59.34.2220	22 p 20%, 50V, CER		ANY	C..1033	59.22.5470	47 u 20%, 25V, EL		ANY
C....71	59.05.2221	220 p 2.5%, 50V, PP		ANY	C..1034	59.22.5470	47 u 20%, 25V, EL		ANY
C....72	59.05.2221	220 p 2.5%, 50V, PP		ANY	C..1053	59.06.0683	68 n 20%, 50V, CER		ANY
C....73	59.05.2221	220 p 2.5%, 50V, PP		ANY	C..1055	59.06.0683	68 n 20%, 50V, CER		ANY
C....74	59.05.2221	220 p 2.5%, 50V, PP		ANY	C..1056	59.06.0683	68 n 20%, 50V, CER		ANY
C....75	59.05.2221	220 p 2.5%, 50V, PP		ANY	C..1057	59.06.0683	68 n 20%, 50V, CER		ANY
C....76	59.05.2221	220 p 2.5%, 50V, PP		ANY	C..1061	59.06.0683	68 n 20%, 50V, CER		ANY
C....77	59.05.2221	220 p 2.5%, 50V, PP		ANY	C..1062	59.22.5470	47 u 20%, 25V, EL		ANY
C....78	59.05.2221	220 p 2.5%, 50V, PP		ANY	C..1063	59.22.5470	47 u 20%, 25V, EL		ANY
C....82	59.05.2102	1 n 2.5%, 160V, PP		ANY	C..1078	59.06.0683	68 n 20%, 50V, CER		ANY
C....83	59.05.2102	1 n 2.5%, 160V, PP		ANY	C..1079	59.06.0683	68 n 20%, 50V, CER		ANY
C....84	59.05.2471	470 p 2.5%, 160V, PP		ANY	C..1081	59.06.0683	68 n 20%, 50V, CER		ANY
C....87	59.34.2220	22 p 20%, 50V, CER		ANY	C..1082	59.06.0683	68 n 20%, 50V, CER		ANY
C....88	59.05.1682	6.8 n 1%, 50V, PP		ANY	C..1083	59.22.5470	47 u 20%, 25V, EL		ANY
C....89	59.34.4680	68 p 20%, 50V, CER		ANY	C..1084	59.22.5470	47 u 20%, 25V, EL		ANY
C....92	59.05.1102	1 n 1%, 160V, PP		ANY	C..1103	59.06.0683	68 n 20%, 50V, CER		ANY
C....93	59.05.1102	1 n 1%, 160V, PP		ANY	C..1105	59.06.0683	68 n 20%, 50V, CER		ANY
C....95	59.34.2220	22 p 20%, 50V, CER		ANY	C..1106	59.06.0683	68 n 20%, 50V, CER		ANY
C...107	59.05.2102	1 n 2.5%, 160V, PP		ANY	C..1107	59.06.0683	68 n 20%, 50V, CER		ANY
C...108	59.05.2102	1 n 2.5%, 160V, PP		ANY	C..1111	59.06.0683	68 n 20%, 50V, CER		ANY
C...109	59.05.2471	470 p 2.5%, 160V, PP		ANY	C..1112	59.22.5470	47 u 20%, 25V, EL		ANY
C...112	59.34.2220	22 p 20%, 50V, CER		ANY	C..1113	59.22.5470	47 u 20%, 25V, EL		ANY
C...113	59.05.1682	6.8 n 1%, 50V, PP		ANY	C..1128	59.06.0683	68 n 20%, 50V, CER		ANY
C...114	59.34.4680	68 p 20%, 50V, CER		ANY	C..1129	59.06.0683	68 n 20%, 50V, CER		ANY
C...117	59.05.1102	1 n 1%, 160V, PP		ANY	C..1131	59.06.0683	68 n 20%, 50V, CER		ANY
C...118	59.05.1102	1 n 1%, 160V, PP		ANY	C..1132	59.06.0683	68 n 20%, 50V, CER		ANY
C...120	59.34.2220	22 p 20%, 50V, CER		ANY	C..1133	59.22.5470	47 u 20%, 25V, EL		ANY
C...132	59.05.2102	1 n 2.5%, 160V, PP		ANY	C..1134	59.22.5470	47 u 20%, 25V, EL		ANY
C...133	59.05.2102	1 n 2.5%, 160V, PP		ANY	C..1153	59.06.0683	68 n 20%, 50V, CER		ANY
C...134	59.05.2471	470 p 2.5%, 160V, PP		ANY	C..1155	59.06.0683	68 n 20%, 50V, CER		ANY
C...137	59.34.2220	22 p 20%, 50V, CER		ANY	C..1156	59.06.0683	68 n 20%, 50V, CER		ANY
C...138	59.05.1682	6.8 n 1%, 50V, PP		ANY					



A/D CONVERTER WITH TRAF0 1.862.650.21

Ad	..POS..	..REF.No...	DESCRIPTION.....	MANUFACTURER	Ad	..POS..	..REF.No...	DESCRIPTION.....	MANUFACTURER
C..1157	59.06.0683	68 n	20%, 50V, CER	ANY	IC..202	50.15.0114	uA 9637 ACP, 9637 ATC	ANY	
C..1161	59.06.0683	68 n	20%, 50V, CER	ANY	IC..203	50.21.0244	74 F 244	ANY	
C..1162	59.22.5470	47 u	20%, 25V, EL	ANY	IC..204	50.18.0100	GAL 16 V 8 - 25 LP (SW 1.862.901.20)	ANY	
C..1163	59.22.5470	47 u	20%, 25V, EL	ANY	IC..205	50.14.0114	28L 22N, 63 S 281 N (SW 1.862.900.20)	ANY	
C..1178	59.06.0683	68 n	20%, 50V, CER	ANY	IC..206	50.06.0113	74 LS 113 N	ANY	
C..1179	59.06.0683	68 n	20%, 50V, CER	ANY	IC..207	50.21.0574	74 F 574	ANY	
C..1181	59.06.0683	68 n	20%, 50V, CER	ANY	IC..208	50.06.0138	74 LS 138	ANY	
C..1182	59.06.0683	68 n	20%, 50V, CER	ANY	IC..209	50.06.0540	74 LS 540	ANY	
C..1183	59.22.5470	47 u	20%, 25V, EL	ANY	IC..210	50.18.0013	PAL 20 L 10 (SW 1.862.902.20)	ANY	
C..1184	59.22.5470	47 u	20%, 25V, EL	ANY	IC..211	50.14.0129	74 LS 219	ANY	
C..1201	59.06.0683	68 n	20%, 50V, CER	ANY	IC..212	50.14.0129	74 LS 219	ANY	
C..1202	59.22.6100	10 u	20%, 25V, EL	ANY	IC..213	50.14.0129	74 LS 219	ANY	
C..1203	59.06.0683	68 n	20%, 50V, CER	ANY	IC..214	50.14.0129	74 LS 219	ANY	
C..1205	59.06.0683	68 n	20%, 50V, CER	ANY	IC..215	50.14.0129	74 LS 219	ANY	
C..1206	59.22.6100	10 u	20%, 25V, EL	ANY	IC..216	50.14.0129	74 LS 219	ANY	
C..1207	59.06.0683	68 n	20%, 50V, CER	ANY	IC..217	50.14.0129	74 LS 219	ANY	
C..1208	59.22.5470	47 u	20%, 25V, EL	ANY	IC..218	50.14.0129	74 LS 219	ANY	
C..1209	59.06.0683	68 n	20%, 50V, CER	ANY	IC..219	50.17.0541	74 HCT 541	ANY	
C..1210	59.22.5470	47 u	20%, 25V, EL	ANY	IC..220	50.17.1595	74 HC 595	ANY	
C..1213	59.06.0683	68 n	20%, 50V, CER	ANY	IC..221	50.17.1595	74 HC 595	ANY	
C..1214	59.06.0683	68 n	20%, 50V, CER	ANY	IC..222	50.17.1595	74 HC 595	ANY	
C..1215	59.06.0683	68 n	20%, 50V, CER	ANY	IC..226	50.10.0104	LM 317 SP	ANY	
C..1216	59.22.5101	100 u	20%, 25V, EL	ANY	IC..228	50.10.0105	LM 337 SP	ANY	
C..1217	59.06.0683	68 n	20%, 50V, CER	ANY	IC..230	50.10.0105	LM 337 SP	ANY	
C..1218	59.06.0683	68 n	20%, 50V, CER	ANY	IC..231	50.21.0374	74 F 374	ANY	
C..1219	59.06.0683	68 n	20%, 50V, CER	ANY	J.....1	54.01.0021	JUMPER CONNECTOR	ANY	
C..1222	59.06.0683	68 n	20%, 50V, CER	ANY	JP....1	54.01.0020	JUMPER PLUG ** QTY 3 ***	ANY	
C..1223	59.22.5470	47 u	20%, 25V, EL	ANY	L...201	62.03.0010	48 uH 2 A	ANY	
C..1224	59.06.0683	68 n	20%, 50V, CER	ANY	L...202	62.03.0010	48 uH 2 A	ANY	
03 C..1225	59.32.1152	1.5n	1%, 160V, PP	ANY	L...203	62.03.0010	48 uH 2 A	ANY	
D...201	50.04.0122	1N	4001	ANY	L...204	62.03.0010	48 uH 2 A	ANY	
D...203	50.04.0122	1N	4001	ANY	MP...1	1.862.650.11	PCB	ANY	
D...205	50.04.0122	1N	4001	ANY	MP...2	50.20.3005	HEAT SINK	ANY	
F...201	51.01.0116	T800mA / 250V, 5 *	20mm	ANY	MP...3	28.99.0119	RIVETING NUT, D2.5*0.15*10	ANY	
F...202	51.01.0116	T800mA / 250V, 5 *	20mm	ANY	MP...4	28.99.0119	RIVETING NUT, D2.5*0.15*10	ANY	
F...204	51.99.0133	MINIFUSE 7A		ANY	MP...5	28.99.0119	RIVETING NUT, D2.5*0.15*10	ANY	
HC..201	1.010.105.50	A 826-3 ADAM		An	MP...6	28.99.0119	RIVETING NUT, D2.5*0.15*10	ANY	
IC...1	50.10.0108	LM317 LZ		ANY	MP...7	21.53.0355	CYLIN. SCREW, M3*8	ANY	
IC...3	50.07.0037	AD 7528 JN		Ad	MP...8	21.53.0355	CYLIN. SCREW, M3*8	ANY	
IC...4	50.09.0106	NE 5532 AN		ANY	MP...9	24.16.1030	FIN WASHER, D3.2/5.5	ANY	
IC...5	50.99.0181	HI-200-5		ANY	MP...10	24.16.1030	FIN WASHER, D3.2/5.5	ANY	
IC...6	50.09.0109	HA-2525-5		ANY	MP...11	21.53.0371	CYLIN. SCREW, M3*14	ANY	
IC...7	50.17.0101	HI 201 HS		Ad	MP...12	37.01.0101	LOCK WASHER, D3.2/8*0.3	ANY	
IC...8	50.09.0109	HA-2525-5		ANY	MP...13	37.01.0101	LOCK WASHER, D3.2/8*0.3	ANY	
IC...10	50.99.0181	HI-200-5		ANY	MP...14	1.010.006.50	SPRING WASHER TO T0220	ANY	
IC...11	50.99.0181	HI-200-5		ANY	MP...15	50.20.0404	INSULATING TUBE, D6.0/3.5	ANY	
IC...12	50.99.0181	HI-200-5		ANY	MP...16	1.862.650.03	INSULATOR	St	
IC...13	50.99.0181	HI-200-5		ANY	MP...17	1.862.650.02	SCREENING COVER	St	
IC...29	50.09.0106	NE 5532 AN		ANY	MP...18	1.862.650.02	SCREENING COVER	St	
IC...31	50.09.0109	HA-2525-5		ANY	MP...19	1.862.650.02	SCREENING COVER	St	
IC...32	50.17.0101	HI 201 HS		Ad	MP...21	21.53.0371	CYLIN. SCREW, M3*14	ANY	
IC...33	50.09.0109	HA-2525-5		ANY	MP...22	37.01.0101	LOCK WASHER, D3.2/8*0.3	ANY	
IC...53	50.07.0037	AD 7528 JN		Ad	MP...23	37.01.0101	LOCK WASHER, D3.2/8*0.3	ANY	
IC...54	50.09.0106	NE 5532 AN		ANY	MP...24	1.010.006.50	SPRING WASHER TO T0220	ANY	
IC...55	50.99.0181	HI-200-5		ANY	MP...25	50.20.0404	INSULATING TUBE, D6.0/3.5	ANY	
IC...56	50.09.0109	HA-2525-5		ANY	MP...26	1.862.650.02	SCREENING COVER	St	
IC...57	50.17.0101	HI 201 HS		Ad	MP...31	21.53.0371	CYLIN. SCREW, M3*14	ANY	
IC...58	50.09.0109	HA-2525-5		ANY	MP...32	37.01.0101	LOCK WASHER, D3.2/8*0.3	ANY	
IC...79	50.09.0106	NE 5532 AN		ANY	MP...33	37.01.0101	LOCK WASHER, D3.2/8*0.3	ANY	
IC...81	50.09.0109	HA-2525-5		ANY	MP...34	1.010.006.50	SPRING WASHER TO T0220	ANY	
IC...82	50.17.0101	HI 201 HS		Ad	MP...35	50.20.0404	INSULATING TUBE, D6.0/3.5	ANY	
IC...83	50.09.0109	HA-2525-5		ANY	MP...36	1.862.650.02	SCREENING COVER	St	
IC...103	50.07.0037	AD 7528 JN		Ad	MP...37	1.862.650.02	SCREENING COVER	St	
IC...104	50.09.0106	NE 5532 AN		ANY	MP...38	1.862.650.02	SCREENING COVER	St	
IC...105	50.99.0181	HI-200-5		ANY	MP...39	1.862.650.02	SCREENING COVER	St	
IC...106	50.09.0109	HA-2525-5		ANY	MP...39	64.01.0108	WIRE 9mg	ANY	
IC...107	50.17.0101	HI 201 HS		Ad	MP...40	1.101.001.21	LABEL "HARDWARE-21"	St	
IC...108	50.09.0109	HA-2525-5		ANY	MP...42	43.01.0108	ESE LABEL	ANY	
IC...129	50.09.0106	NE 5532 AN		ANY	MP...43	1.010.114.51	LABEL "T800mA"	St	
IC...131	50.09.0109	HA-2525-5		ANY	MP...44	1.010.114.51	LABEL "T800mA"	St	
IC...132	50.17.0101	HI 201 HS		Ad	MP...45	1.010.130.51	LABEL "F7.00A"	St	
IC...133	50.09.0109	HA-2525-5		ANY	MP...46	1.862.650.04	ISOLATION ZU ABSCHIRMBLECH	St	
IC...153	50.07.0037	AD 7528 JN		ANY	MP...47	1.862.650.04	ISOLATION ZU ABSCHIRMBLECH	St	
IC...154	50.09.0106	NE 5532 AN		ANY	MP...48	1.862.650.04	ISOLATION ZU ABSCHIRMBLECH	St	
IC...155	50.99.0181	HI-200-5		ANY	MP...49	1.862.650.04	ISOLATION ZU ABSCHIRMBLECH	St	
IC...156	50.09.0109	HA-2525-5		ANY	MP...51	1.862.650.04	ISOLATION ZU ABSCHIRMBLECH	St	
IC...157	50.17.0101	HI 201 HS		Ad	MP...52	1.862.650.04	ISOLATION ZU ABSCHIRMBLECH	St	
IC...158	50.09.0109	HA-2525-5		ANY	MP...53	1.862.650.04	ISOLATION ZU ABSCHIRMBLECH	St	
IC...179	50.09.0106	NE 5532 AN		ANY	MP...54	1.862.650.04	ISOLATION ZU ABSCHIRMBLECH	St	
IC...181	50.09.0109	HA-2525-5		ANY	MP...55	1.862.650.04	ISOLATION ZU ABSCHIRMBLECH	St	
IC...182	50.17.0101	HI 201 HS		Ad	MP...56	1.862.650.04	ISOLATION ZU ABSCHIRMBLECH	St	
IC...183	50.09.0109	HA-2525-5		ANY	MP...57	1.862.650.04	ISOLATION ZU ABSCHIRMBLECH	St	
IC...201	1.010.106.50	OPA6008M		Bb	MP...58	1.862.650.04	ISOLATION ZU ABSCHIRMBLECH	St	
					MP...59	1.862.650.04	ISOLATION ZU ABSCHIRMBLECH	St	
					MP...60	1.862.650.04	ISOLATION ZU ABSCHIRMBLECH	St	
					MP...61	1.862.650.08	IC-UNTERLAGE (WAERMELEITGUMMI)	St	
					MP...62	1.862.650.01	Nr. Etiket	St	
					MP...63	1.862.650.07	LABEL "A/D"	St	
					MP...64	1.862.650.05	AUSWERFERHEBEL	St	
					MP...65	1.862.650.05	AUSWERFERHEBEL	St	
					MP...66	1.862.650.06	AUSWERFERSTIFT	St	
					MP...67	1.862.650.06	AUSWERFERSTIFT	St	
					MP...68	29.21.6002	LOETOESE	ANY	
					MP...69	1.862.650.09	Printhalter	St	



A/D CONVERTER WITH TRAF0 1.862.650.21

Ad	..POS..	..REF.No..	DESCRIPTION	MANUFACTURER	Ad	..POS..	..REF.No..	DESCRIPTION	MANUFACTURER
01	MP...70	20.21.7102	Blechschrabe d2,2*4,5	ANY	R...141	57.11.3202	2 k 1%, MF	ANY	
01	MP...71	20.21.7102	Blechschrabe d2,2*4,5	ANY	R...142	57.11.3512	5.1 k 1%, MF	ANY	
01	MP...72	20.21.7102	Blechschrabe d2,2*4,5	ANY	R...143	57.11.3153	15 k 1%, MF	ANY	
01	MP...73	20.21.7102	Blechschrabe d2,2*4,5	ANY	R...145	57.11.3241	240 E 1%, MF	ANY	
01	MP...74	20.21.7102	Blechschrabe d2,2*4,5	ANY	R...146	57.11.3153	16 k 1%, MF	ANY	
01	MP...75	20.21.7102	Blechschrabe d2,2*4,5	ANY	R...147	57.11.3120	12 E 1%, MF	ANY	
01	MP...76	20.21.7102	Blechschrabe d2,2*4,5	ANY	R...148	57.11.3222	2.2 k 1%, MF	ANY	
01	MP...77	20.21.7102	Blechschrabe d2,2*4,5	ANY	R...150	57.11.5475	4.7 M 5%, MF	ANY	
02	MP...78	1.862.650.10	Isolation	ANY	R...155	57.11.3332	3.3 k 1%, MF	ANY	
P....1	54.01.0358		CONNECTOR 3 * 32 EURO PRINT	ANY	R...156	57.11.3332	3.3 k 1%, MF	ANY	
P....2	54.01.0358		CONNECTOR 3 * 32 EURO PRINT	ANY	R...157	57.11.3222	2.2 k 1%, MF	ANY	
R....1	57.11.3151	150 E 1%, MF	ANY	R...163	57.11.3561	560 E 1%, MF	ANY		
R....2	57.11.3471	470 E 1%, MF	ANY	R...164	57.11.3512	5.1 k 1%, MF	ANY		
R....5	57.11.3332	3.3 k 1%, MF	ANY	R...166	57.11.3202	2 k 1%, MF	ANY		
R....6	57.11.3332	3.3 k 1%, MF	ANY	R...167	57.11.3512	5.1 k 1%, MF	ANY		
R....7	57.11.3222	2.2 k 1%, MF	ANY	R...168	57.11.3153	15 k 1%, MF	ANY		
R....8	57.11.3222	2.2 k 1%, MF	ANY	R...170	57.11.3241	240 E 1%, MF	ANY		
R....13	57.11.3561	560 E 1%, MF	ANY	R...171	57.11.3153	15 k 1%, MF	ANY		
R....14	57.11.3512	5.1 k 1%, MF	ANY	R...172	57.11.3120	12 E 1%, MF	ANY		
R....16	57.11.3202	2 k 1%, MF	ANY	R...173	57.11.3222	2.2 k 1%, MF	ANY		
R....17	57.11.3512	5.1 k 1%, MF	ANY	R...175	57.11.5475	4.7 M 5%, MF	ANY		
R....18	57.11.3153	15 k 1%, MF	ANY	R...180	57.11.3332	3.3 k 1%, MF	ANY		
R....20	57.11.3241	240 E 1%, MF	ANY	R...181	57.11.3332	3.3 k 1%, MF	ANY		
R....21	57.11.3153	15 k 1%, MF	ANY	R...182	57.11.3222	2.2 k 1%, MF	ANY		
R....22	57.11.3120	12 E 1%, MF	ANY	R...183	57.11.3222	2.2 k 1%, MF	ANY		
R....23	57.11.3222	2.2 k 1%, MF	ANY	R...188	57.11.3561	560 E 1%, MF	ANY		
R....25	57.11.5475	4.7 M 5%, MF	ANY	R...189	57.11.3512	5.1 k 1%, MF	ANY		
R....30	57.11.3332	3.3 k 1%, MF	ANY	R...191	57.11.3202	2 k 1%, MF	ANY		
R....31	57.11.3332	3.3 k 1%, MF	ANY	R...192	57.11.3512	5.1 k 1%, MF	ANY		
R....32	57.11.3222	2.2 k 1%, MF	ANY	R...193	57.11.3153	15 k 1%, MF	ANY		
R....33	57.11.3222	2.2 k 1%, MF	ANY	R...195	57.11.3241	240 E 1%, MF	ANY		
R....38	57.11.3561	560 E 1%, MF	ANY	R...196	57.11.3153	15 k 1%, MF	ANY		
R....39	57.11.3512	5.1 k 1%, MF	ANY	R...197	57.11.3120	12 E 1%, MF	ANY		
R....41	57.11.3202	2 k 1%, MF	ANY	R...198	57.11.3222	2.2 k 1%, MF	ANY		
R....42	57.11.3512	5.1 k 1%, MF	ANY	R...200	57.11.5475	4.7 M 5%, MF	ANY		
R....43	57.11.3153	15 k 1%, MF	ANY	R...201	57.11.3242	2.4 k 1%, MF	ANY		
R....45	57.11.3241	240 E 1%, MF	ANY	R...202	57.11.3102	1 k 1%, MF	ANY		
R....46	57.11.3153	15 k 1%, MF	ANY	R...203	57.11.3102	1 k 1%, MF	ANY		
R....47	57.11.3120	12 E 1%, MF	ANY	R...204	57.11.3102	1 k 1%, MF	ANY		
R....48	57.11.3222	2.2 k 1%, MF	ANY	R...205	57.11.3221	220 E 1%, MF	ANY		
R....50	57.11.5475	4.7 M 5%, MF	ANY	R...206	57.11.3511	510 E 1%, MF	ANY		
R....55	57.11.3332	3.3 k 1%, MF	ANY	R...207	57.11.3241	240 E 1%, MF	ANY		
R....56	57.11.3332	3.3 k 1%, MF	ANY	R...210	57.11.3511	510 E 1%, MF	ANY		
R....57	57.11.3222	2.2 k 1%, MF	ANY	R...211	57.11.3241	240 E 1%, MF	ANY		
R....58	57.11.3222	2.2 k 1%, MF	ANY	R...214	57.56.5470	47 E 10%, 4W	ANY		
R....63	57.11.3561	560 E 1%, MF	ANY	R...215	57.11.3911	910 E 1%, MF	ANY		
R....64	57.11.3512	5.1 k 1%, MF	ANY	R...216	57.11.3241	240 E 1%, MF	ANY		
R....66	57.11.3202	2 k 1%, MF	ANY	R...218	57.11.3222	2.2 k 1%, MF	ANY		
R....67	57.11.3512	5.1 k 1%, MF	ANY	R...219	57.11.3222	2.2 k 1%, MF	ANY		
R....68	57.11.3153	15 k 1%, MF	ANY	RA...2	58.01.8502	5 k 10%, .5 W , PMG	ANY		
R....70	57.11.3241	240 E 1%, MF	ANY	RA...12	58.01.8502	5 k 10%, .5 W , PMG	ANY		
R....71	57.11.3153	15 k 1%, MF	ANY	RA...22	58.01.8502	5 k 10%, .5 W , PMG	ANY		
R....72	57.11.3120	12 E 1%, MF	ANY	RA...32	58.01.8502	5 k 10%, .5 W , PMG	ANY		
R....73	57.11.3222	2.2 k 1%, MF	ANY	RA...42	58.01.8502	5 k 10%, .5 W , PMG	ANY		
R....75	57.11.5475	4.7 M 5%, MF	ANY	RA...52	58.01.8502	5 k 10%, .5 W , PMG	ANY		
R....80	57.11.3332	3.3 k 1%, MF	ANY	RA...62	58.01.8502	5 k 10%, .5 W , PMG	ANY		
R....81	57.11.3332	3.3 k 1%, MF	ANY	RA...72	58.01.8502	5 k 10%, .5 W , PMG	ANY		
R....82	57.11.3222	2.2 k 1%, MF	ANY	TP...1	54.02.0320	TESTPOINT	ANY		
R....83	57.11.3222	2.2 k 1%, MF	ANY	TP...2	54.02.0320	TESTPOINT	ANY		
R....88	57.11.3561	560 E 1%, MF	ANY	TP...3	54.02.0320	TESTPOINT	ANY		
R....89	57.11.3512	5.1 k 1%, MF	ANY	TP...4	54.02.0320	TESTPOINT	ANY		
R....91	57.11.3202	2 k 1%, MF	ANY	TP...5	54.02.0320	TESTPOINT	ANY		
R....92	57.11.3512	5.1 k 1%, MF	ANY	TP...6	54.02.0320	TESTPOINT	ANY		
R....93	57.11.3153	15 k 1%, MF	ANY	TP...7	54.02.0320	TESTPOINT	ANY		
R....95	57.11.3241	240 E 1%, MF	ANY	TP...8	54.02.0320	TESTPOINT	ANY		
R....96	57.11.3153	15 k 1%, MF	ANY	TP...9	54.02.0320	TESTPOINT	ANY		
R....97	57.11.3120	12 E 1%, MF	ANY	TP...10	54.02.0320	TESTPOINT	ANY		
R....98	57.11.3222	2.2 k 1%, MF	ANY	TP...11	54.02.0320	TESTPOINT	ANY		
R...100	57.11.5475	4.7 M 5%, MF	ANY	TP...12	54.02.0320	TESTPOINT	ANY		
R...105	57.11.3332	3.3 k 1%, MF	ANY	TP...14	54.02.0320	TESTPOINT	ANY		
R...106	57.11.3332	3.3 k 1%, MF	ANY	TP...15	54.02.0320	TESTPOINT	ANY		
R...107	57.11.3222	2.2 k 1%, MF	ANY	TP...16	54.02.0320	TESTPOINT	ANY		
R...108	57.11.3222	2.2 k 1%, MF	ANY	TP...25	54.02.0320	TESTPOINT	ANY		
R...113	57.11.3561	560 E 1%, MF	ANY	TP...26	54.02.0320	TESTPOINT	ANY		
R...114	57.11.3512	5.1 k 1%, MF	ANY	TP...27	54.02.0320	TESTPOINT	ANY		
R...116	57.11.3202	2 k 1%, MF	ANY	TP...28	54.02.0320	TESTPOINT	ANY		
R...117	57.11.3512	5.1 k 1%, MF	ANY	TP...29	54.02.0320	TESTPOINT	ANY		
R...118	57.11.3153	15 k 1%, MF	ANY	TP...30	54.02.0320	TESTPOINT	ANY		
R...120	57.11.3241	240 E 1%, MF	ANY	TP...31	54.02.0320	TESTPOINT	ANY		
R...121	57.11.3153	15 k 1%, MF	ANY	TP...32	54.02.0320	TESTPOINT	ANY		
R...122	57.11.3120	12 E 1%, MF	ANY	TP...33	54.02.0320	TESTPOINT	ANY		
R...123	57.11.3222	2.2 k 1%, MF	ANY	TP...35	54.02.0320	TESTPOINT	ANY		
R...125	57.11.5475	4.7 M 5%, MF	ANY	TP...36	54.02.0320	TESTPOINT	ANY		
R...130	57.11.3332	3.3 k 1%, MF	ANY	TP...37	54.02.0320	TESTPOINT	ANY		
R...131	57.11.3332	3.3 k 1%, MF	ANY	TP...38	54.02.0320	TESTPOINT	ANY		
R...132	57.11.3222	2.2 k 1%, MF	ANY	TP...40	54.02.0320	TESTPOINT	ANY		
R...133	57.11.3222	2.2 k 1%, MF	ANY						
R...138	57.11.3561	560 E 1%, MF	ANY						
R...139	57.11.3512	5.1 k 1%, MF	ANY						



**A/D CONVERTER WITH TRAF0 1.862.650.21**

Ad	..POS..	..REF.No..	DESCRIPTION	MANUFACTURER
TP...	41	54.02.0320	TESTPOINT	ANY
TP...	42	54.02.0320	TESTPOINT	ANY
TP...	43	54.02.0320	TESTPOINT	ANY
TP...	44	54.02.0320	TESTPOINT	ANY
XF...	201	53.03.0118	FUSE HOLDER	ANY
XF...	202	53.03.0118	FUSE HOLDER	ANY
XF...	204	53.03.0118	FUSE HOLDER	ANY
XIC...	3	53.03.0165	DIL-SOCKET, 20-PIN	ANY
XIC...	4	53.03.0166	DIL-SOCKET, 8-PIN	ANY
XIC...	6	53.03.0166	DIL-SOCKET, 8-PIN	ANY
XIC...	7	53.03.0168	DIL-SOCKET, 16-PIN	ANY
XIC...	8	53.03.0166	DIL-SOCKET, 8-PIN	ANY
XIC...	29	53.03.0166	DIL-SOCKET, 8-PIN	ANY
XIC...	31	53.03.0166	DIL-SOCKET, 8-PIN	ANY
XIC...	32	53.03.0168	DIL-SOCKET, 16-PIN	ANY
XIC...	33	53.03.0166	DIL-SOCKET, 8-PIN	ANY
XIC...	53	53.03.0165	DIL-SOCKET, 20-PIN	ANY
XIC...	54	53.03.0166	DIL-SOCKET, 8-PIN	ANY
XIC...	56	53.03.0166	DIL-SOCKET, 8-PIN	ANY
XIC...	57	53.03.0168	DIL-SOCKET, 16-PIN	ANY
XIC...	58	53.03.0166	DIL-SOCKET, 8-PIN	ANY
XIC...	79	53.03.0166	DIL-SOCKET, 8-PIN	ANY
XIC...	81	53.03.0166	DIL-SOCKET, 8-PIN	ANY
XIC...	82	53.03.0168	DIL-SOCKET, 16-PIN	ANY
XIC...	83	53.03.0166	DIL-SOCKET, 8-PIN	ANY
XIC...	103	53.03.0165	DIL-SOCKET, 20-PIN	ANY
XIC...	104	53.03.0166	DIL-SOCKET, 8-PIN	ANY
XIC...	106	53.03.0166	DIL-SOCKET, 8-PIN	ANY
XIC...	107	53.03.0168	DIL-SOCKET, 16-PIN	ANY
XIC...	108	53.03.0166	DIL-SOCKET, 8-PIN	ANY
XIC...	129	53.03.0166	DIL-SOCKET, 8-PIN	ANY
XIC...	131	53.03.0166	DIL-SOCKET, 8-PIN	ANY
XIC...	132	53.03.0168	DIL-SOCKET, 16-PIN	ANY
XIC...	133	53.03.0166	DIL-SOCKET, 8-PIN	ANY
XIC...	153	53.03.0165	DIL-SOCKET, 20-PIN	ANY
XIC...	154	53.03.0166	DIL-SOCKET, 8-PIN	ANY
XIC...	156	53.03.0166	DIL-SOCKET, 8-PIN	ANY
XIC...	157	53.03.0168	DIL-SOCKET, 16-PIN	ANY
XIC...	158	53.03.0166	DIL-SOCKET, 8-PIN	ANY
XIC...	179	53.03.0166	DIL-SOCKET, 8-PIN	ANY
XIC...	181	53.03.0166	DIL-SOCKET, 8-PIN	ANY
XIC...	182	53.03.0168	DIL-SOCKET, 16-PIN	ANY
XIC...	183	53.03.0166	DIL-SOCKET, 8-PIN	ANY
XIC...	202	53.03.0166	DIL-SOCKET, 8-PIN	ANY
XIC...	203	53.03.0165	DIL-SOCKET, 20-PIN	ANY
XIC...	204	53.03.0165	DIL-SOCKET, 20-PIN	ANY
XIC...	205	53.03.0165	DIL-SOCKET, 20-PIN	ANY
XIC...	206	53.03.0167	DIL-SOCKET, 14-PIN	ANY
XIC...	207	53.03.0165	DIL-SOCKET, 20-PIN	ANY
XIC...	208	53.03.0168	DIL-SOCKET, 16-PIN	ANY
XIC...	209	53.03.0165	DIL-SOCKET, 20-PIN	ANY
XIC...	210	53.03.0182	DIL-SOCKET, 24-PIN, MOLDED	ANY
XIC...	211	53.03.0168	DIL-SOCKET, 16-PIN	ANY
XIC...	212	53.03.0168	DIL-SOCKET, 16-PIN	ANY
XIC...	213	53.03.0168	DIL-SOCKET, 16-PIN	ANY
XIC...	214	53.03.0168	DIL-SOCKET, 16-PIN	ANY
XIC...	215	53.03.0168	DIL-SOCKET, 16-PIN	ANY
XIC...	216	53.03.0168	DIL-SOCKET, 16-PIN	ANY
XIC...	217	53.03.0168	DIL-SOCKET, 16-PIN	ANY
XIC...	218	53.03.0168	DIL-SOCKET, 16-PIN	ANY
XIC...	219	53.03.0165	DIL-SOCKET, 20-PIN	ANY
XIC...	220	53.03.0168	DIL-SOCKET, 16-PIN	ANY
XIC...	221	53.03.0168	DIL-SOCKET, 16-PIN	ANY
XIC...	222	53.03.0168	DIL-SOCKET, 16-PIN	ANY
XIC...	231	53.03.0165	DIL-SOCKET, 20-PIN	ANY

REMARKS:

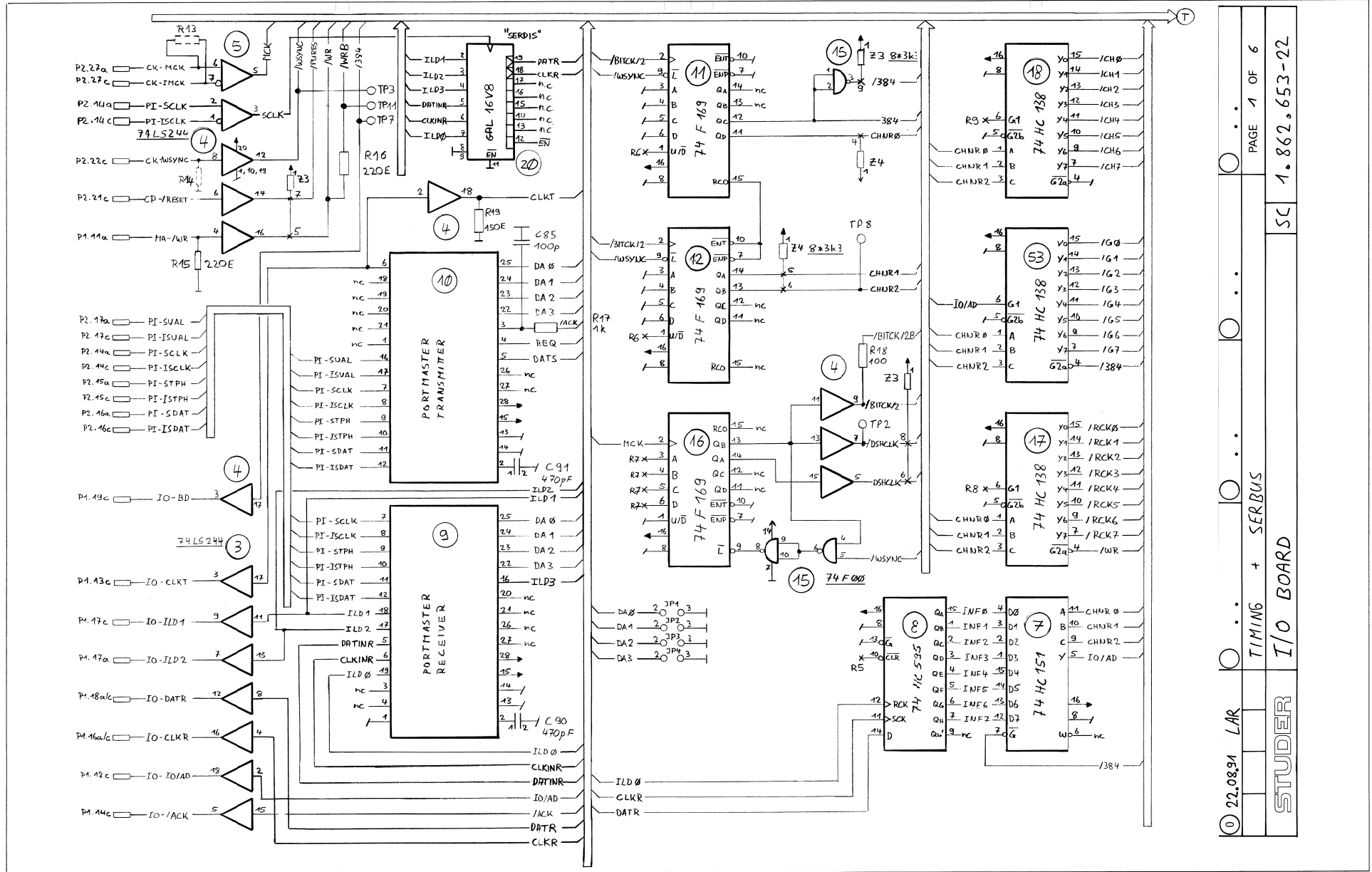
Aenderungen : von 20 auf 21 : nur Baugruppennr. erhohet

MANUFACTURERS: St = STUDER, Ph = PHILIPS, An = ANALOGIC, Ha = HARRIS,  
Bb = BURR BROWN, Ad = ANALOG DEVICES

ABBREVIATIONS: CER = CERAMIC / PP = POLY-PROPYLENE / MF = METAL-FILM RESISTOR /  
XF = CLAMP FOR FUSES / XIC = IC-SOCKET

1.862.650.21	8CH A/D CONVERTER	LAR91/10/0700
1.862.650.21	8CH A/D CONVERTER	LAR92/05/1801
1.862.650.21	8CH A/D CONVERTER	LAR92/08/1302
1.862.650.21	8CH A/D CONVERTER	LAR94/01/1803

INPUT / OUTPUT BOARD 1.862.653.22  
- Timing & Serbus



22.08.91 LAR

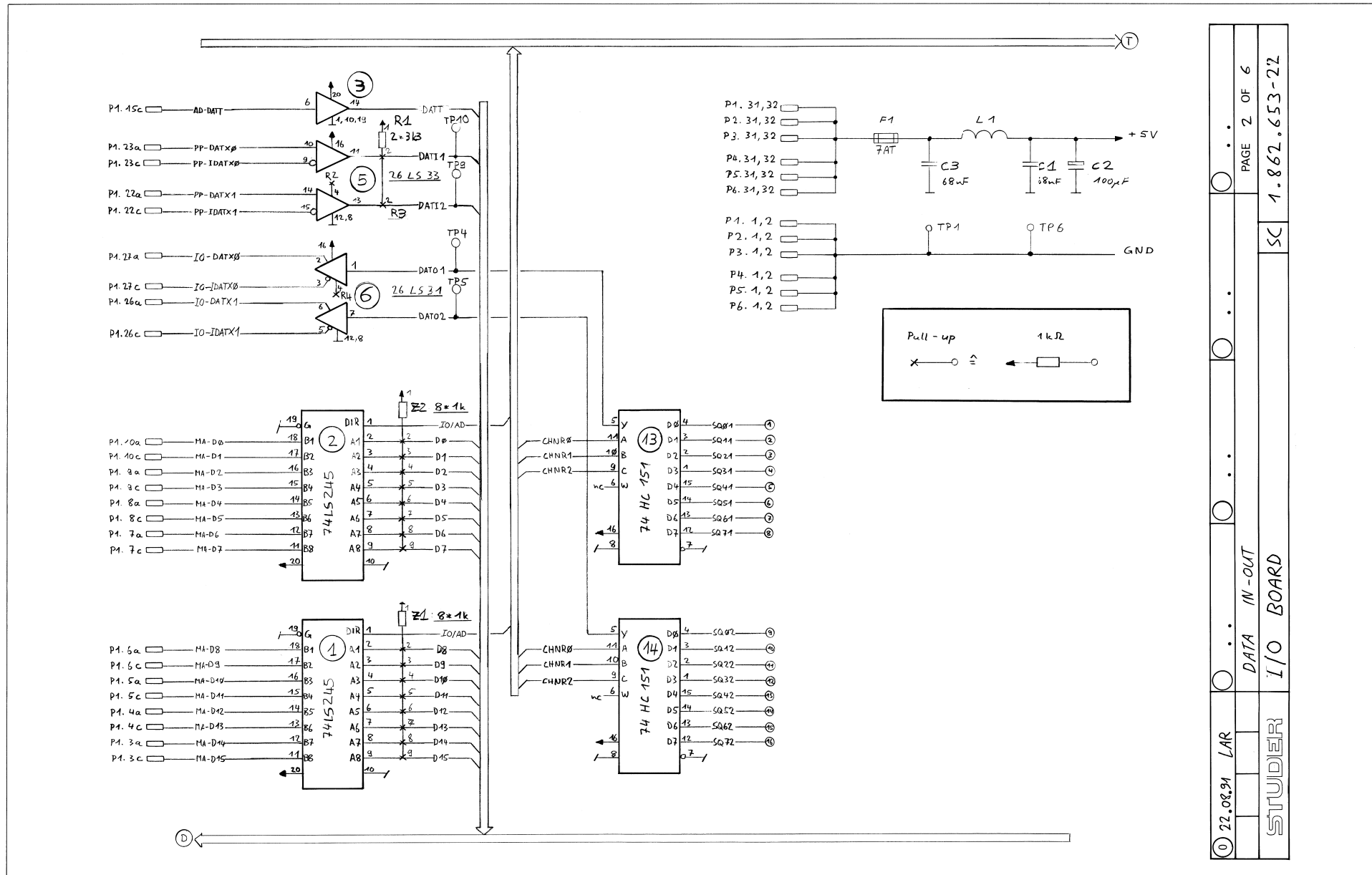
TIMING + SERBUS

STUDER I/O BOARD

PAGE 1 OF 6

SC 1.862.653-22

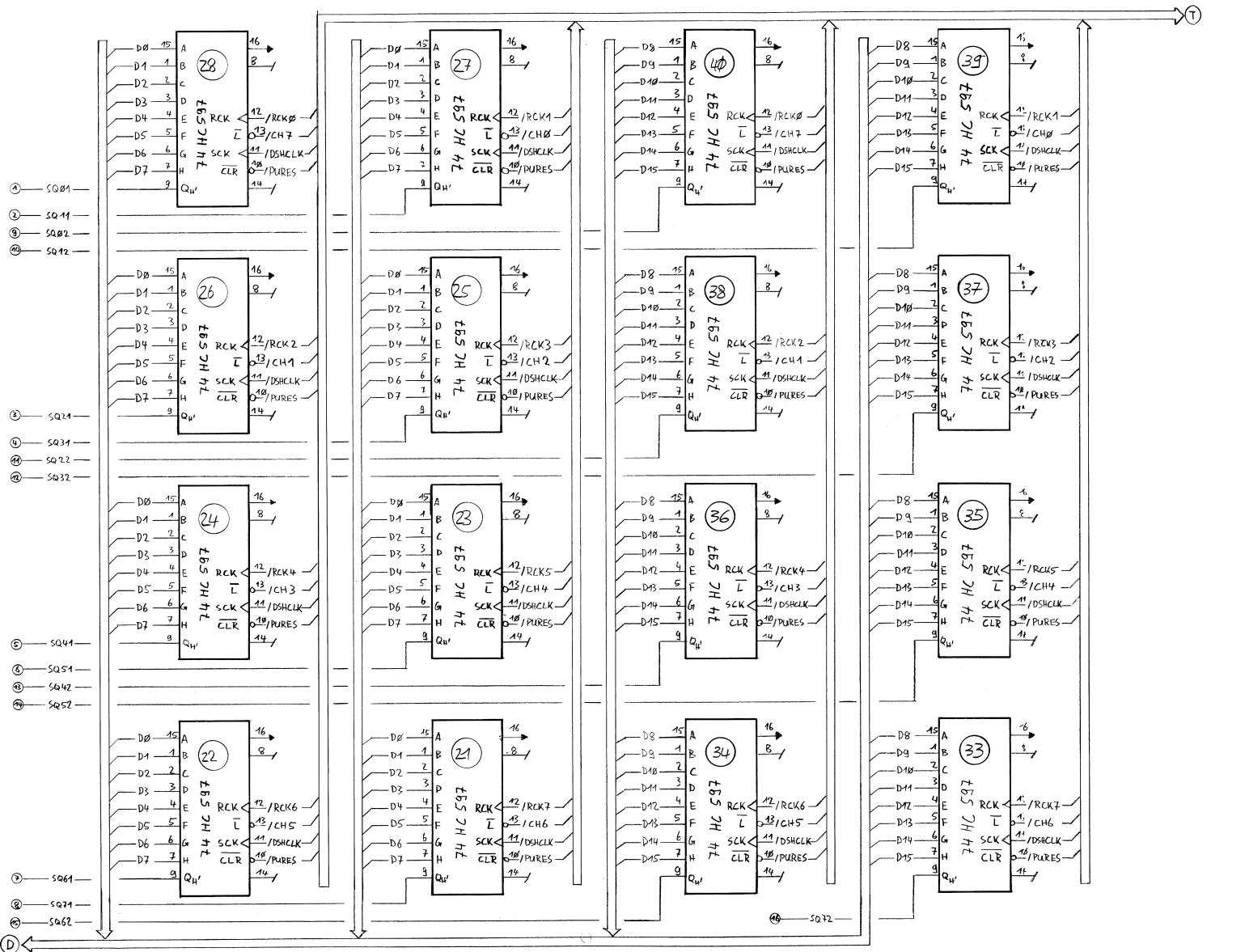
INPUT / OUTPUT BOARD 1.862.653.22  
· Data In-Out



022.08.91	LAR	DATA IN-OUT	SC	1.862.653-22
STUDER			PAGE 2 OF 6	



INPUT / OUTPUT BOARD 1.862.653.22  
- P/S Conversion

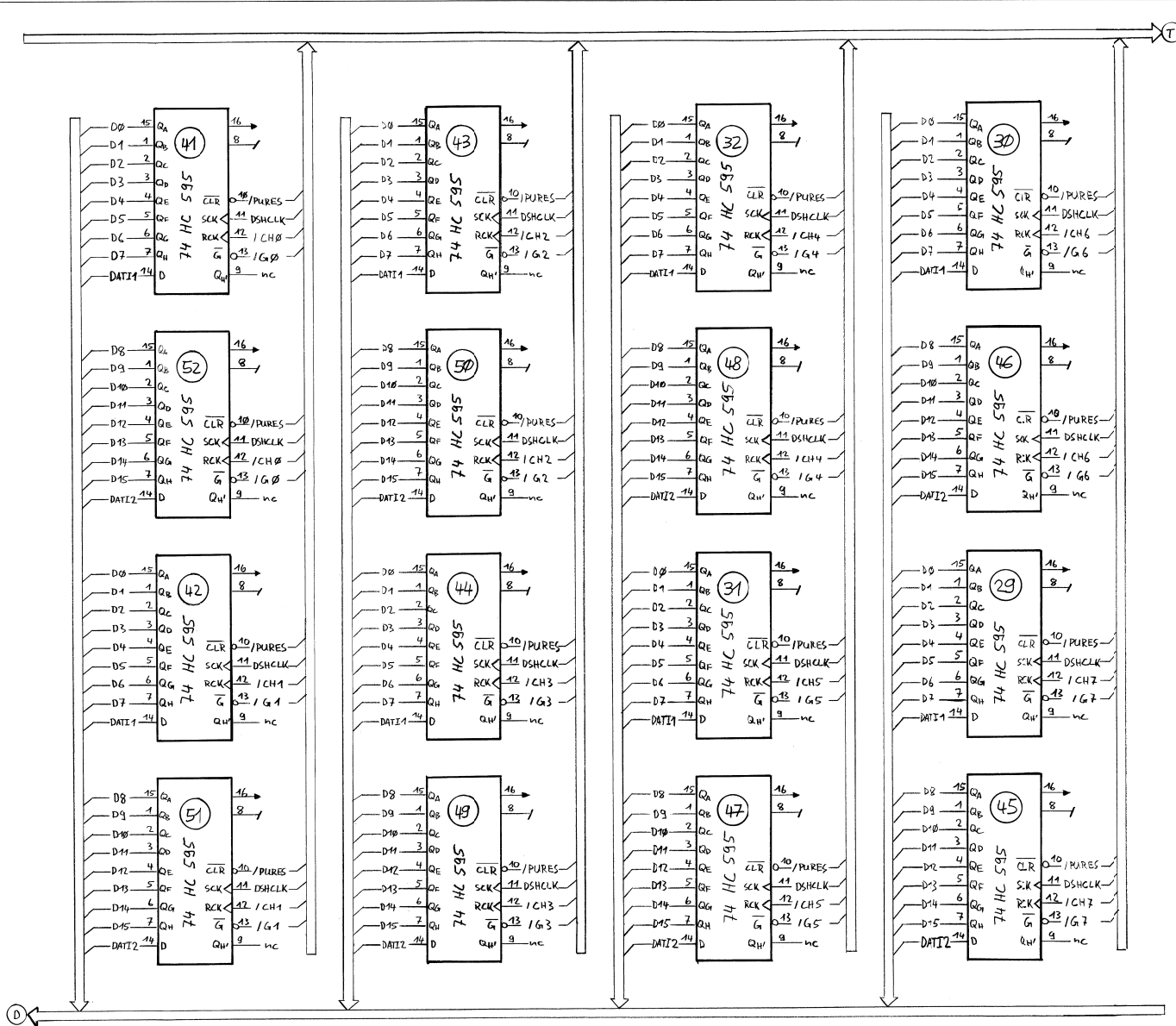


- ① SQ01
- ② SQ11
- ③ SQ02
- ④ SQ12
- ⑤ SQ24
- ⑥ SQ34
- ⑦ SQ22
- ⑧ SQ32
- ⑨ SQ44
- ⑩ SQ54
- ⑪ SQ42
- ⑫ SQ52
- ⑬ SQ64
- ⑭ SQ74
- ⑮ SQ62

①	22.08.01 LAR	...	...	...	...	...
②	P/S CONVERSION	...	...	...	...	...
③	I/O BOARD	SC	1.862.653-21	...	...	...
				PAGE 3 OF 6		

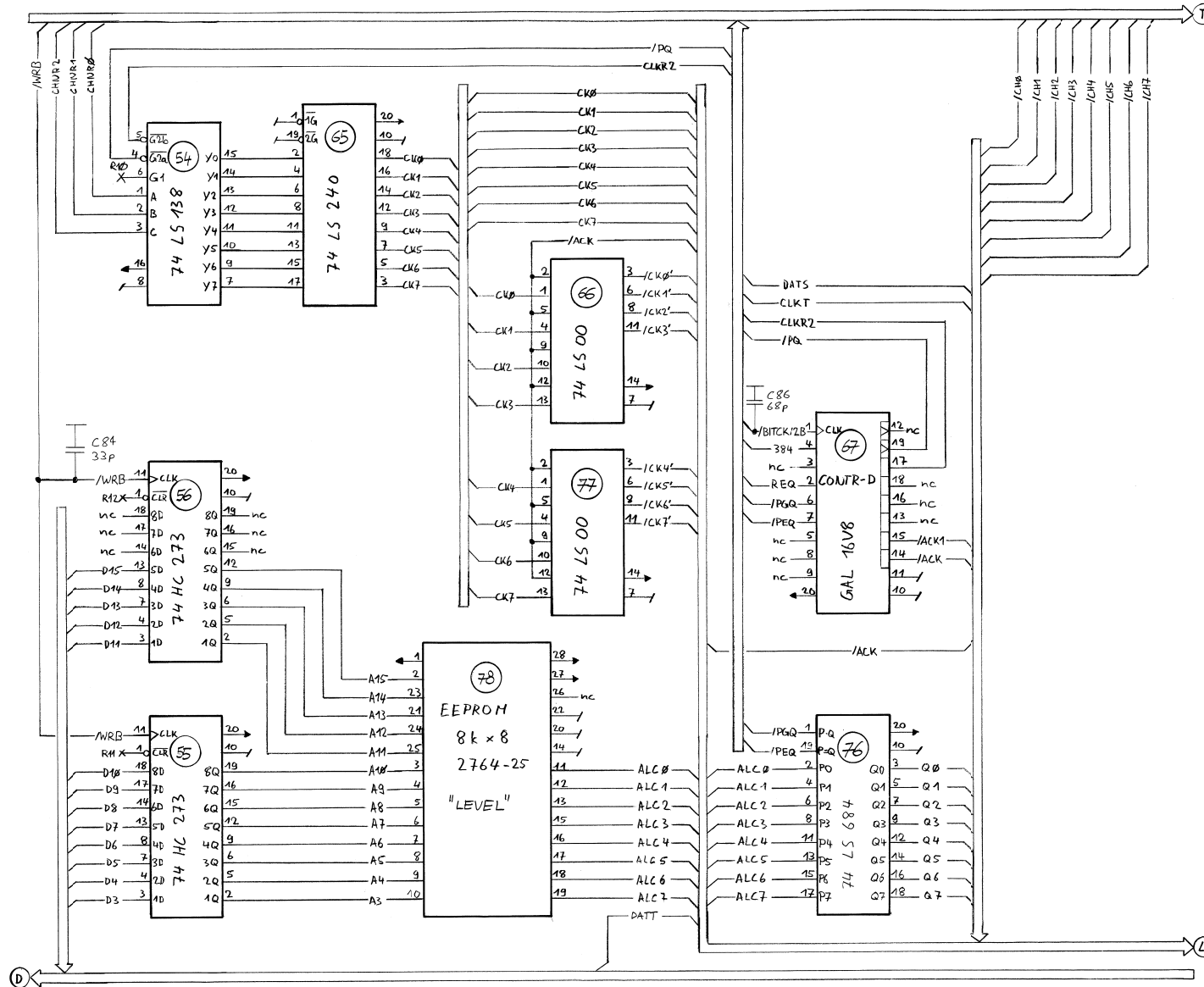
INPUT / OUTPUT BOARD 1.862.653.22

- S/P Conversion



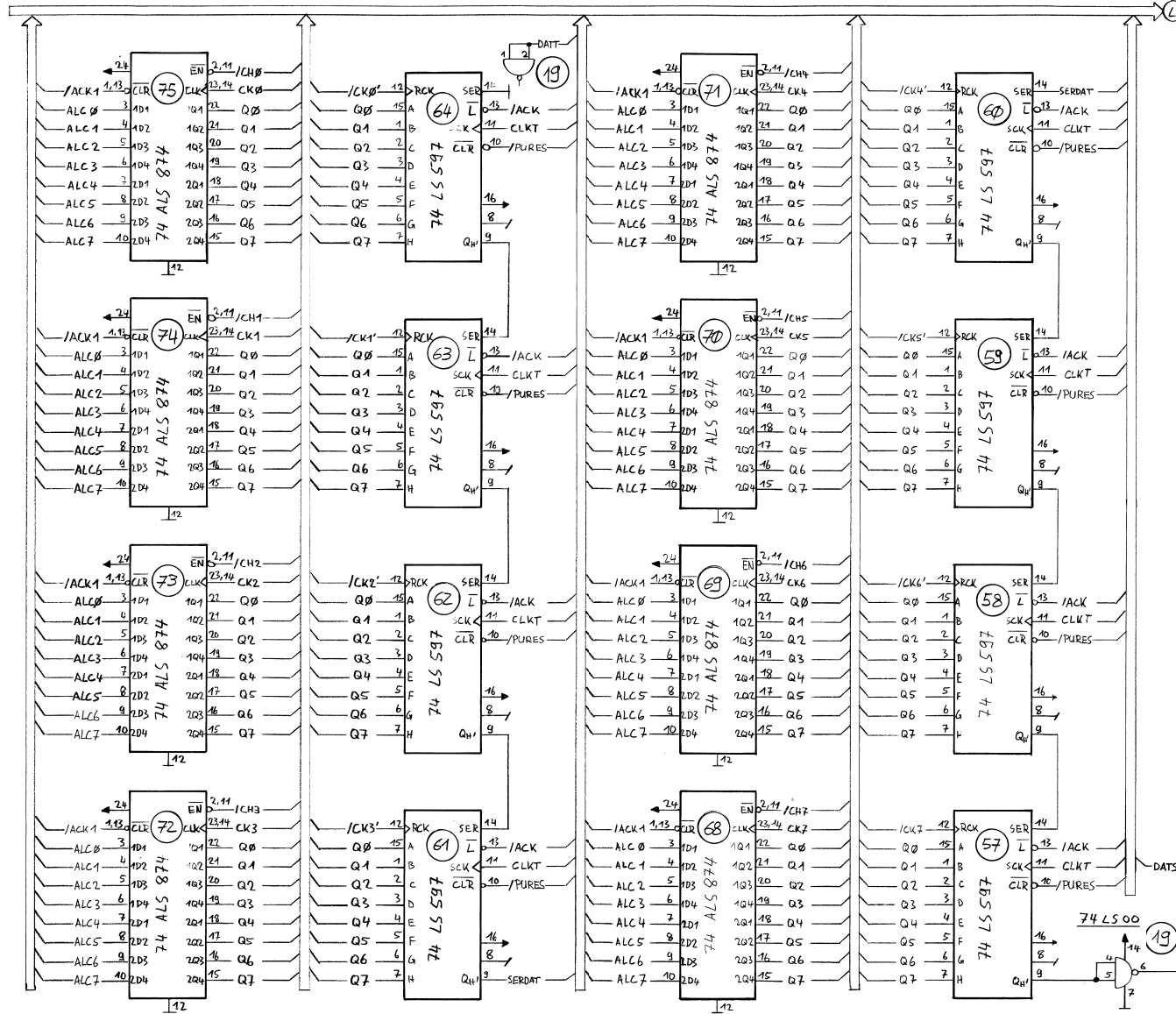
022.08.31 LAR	S/P CONVERSION	PAGE 4 OF 6
STUDER	I/O BOARD	SC 1.862.653-22

INPUT / OUTPUT BOARD 1.862.653.22  
 - Level Control



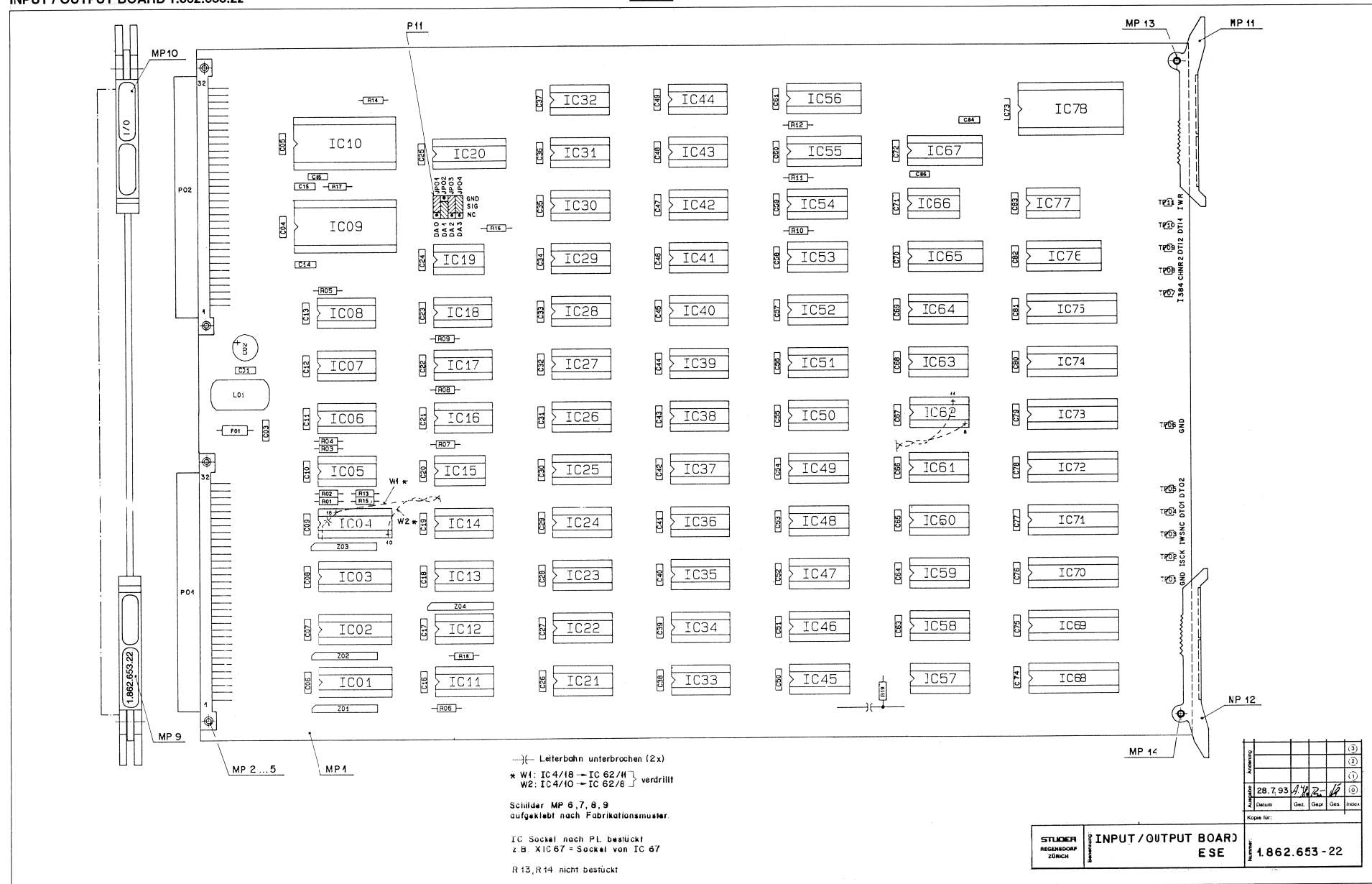
22.08.91	LAR	LEVEL CONTROL	SC	1.862.653-22
STUDER			I/O BOARD	
PAGE 5 OF 6				

INPUT / OUTPUT BOARD 1.862.653.22  
- Level P/S Conversion





INPUT / OUTPUT BOARD 1.862.653.22



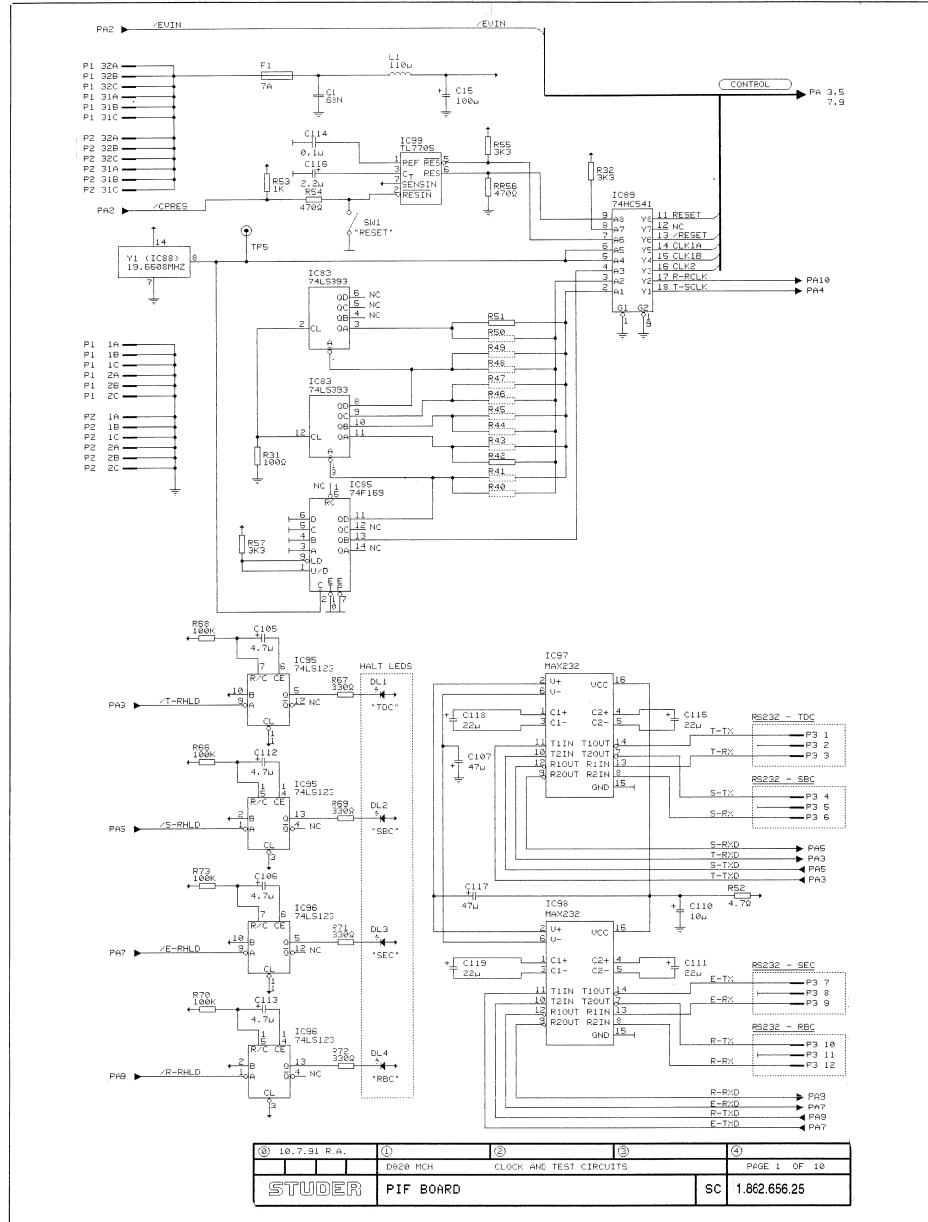


INPUT / OUTPUT BOARD 1.862.653.22

Table with columns: Ad., POS., REF.No., DESCRIPTION, MANUFACTURER. It lists various components like PORTMASTER, resistors (R...), capacitors (C...), diodes (D...), and connectors (XIC...), along with their specifications and manufacturer details.

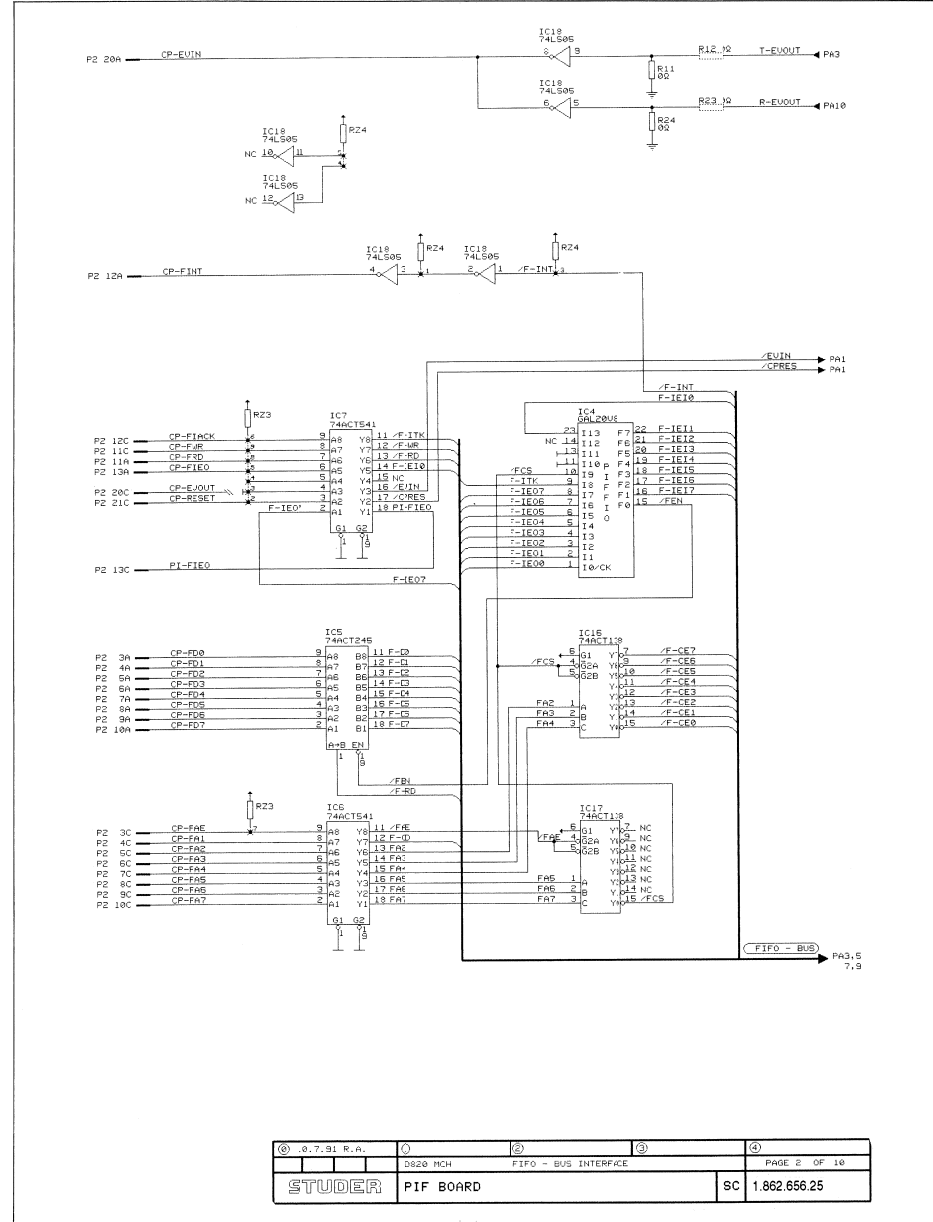
PERIPHERAL INTERFACE 1.862.656.25

- Clock and Test Circuits

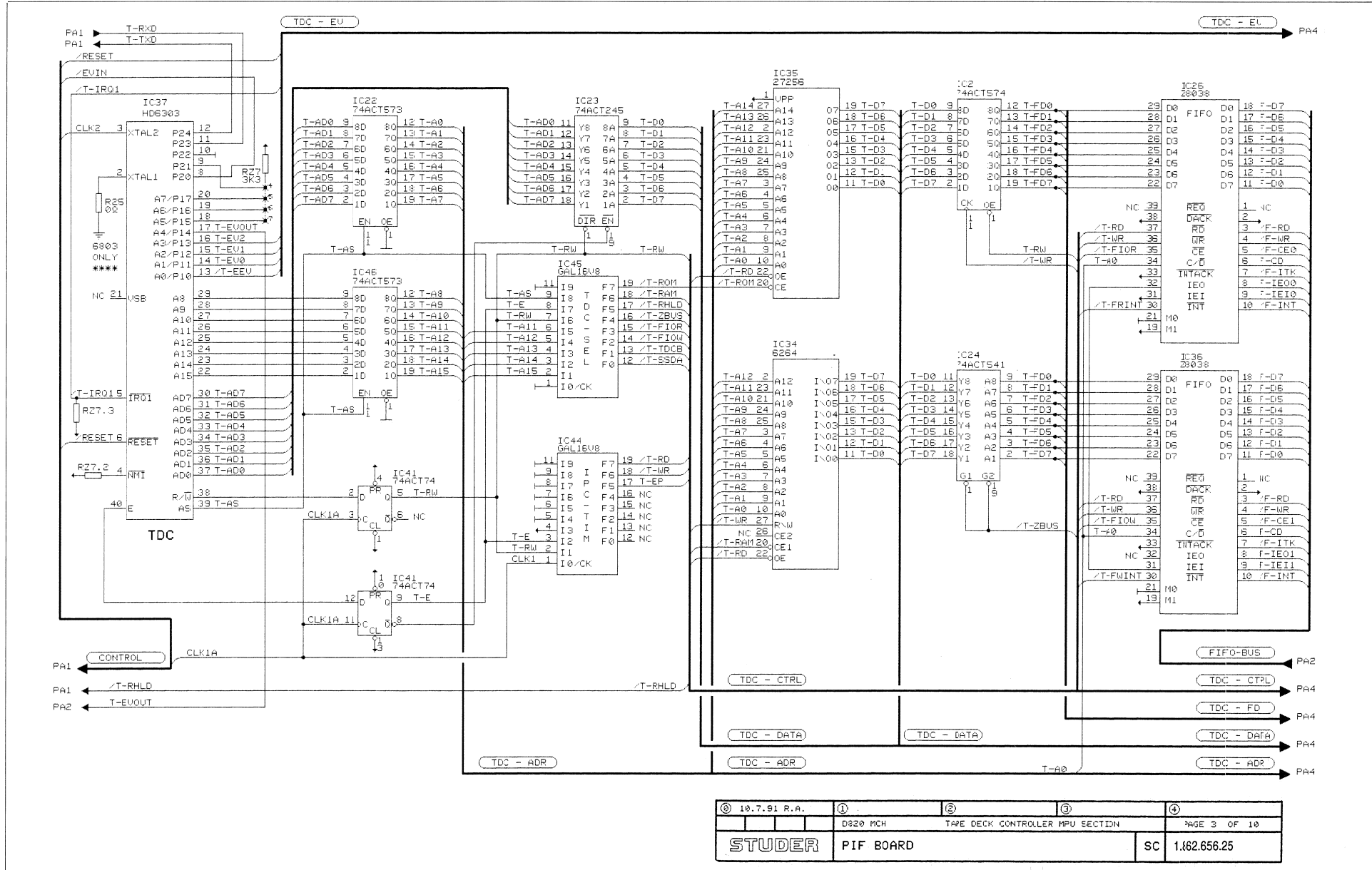


PERIPHERAL INTERFACE 1.862.356.25

- Fifo Bus Interface



PERIPHERAL INTERFACE 1.862.656.25  
- Tape Deck Controller MPU Section

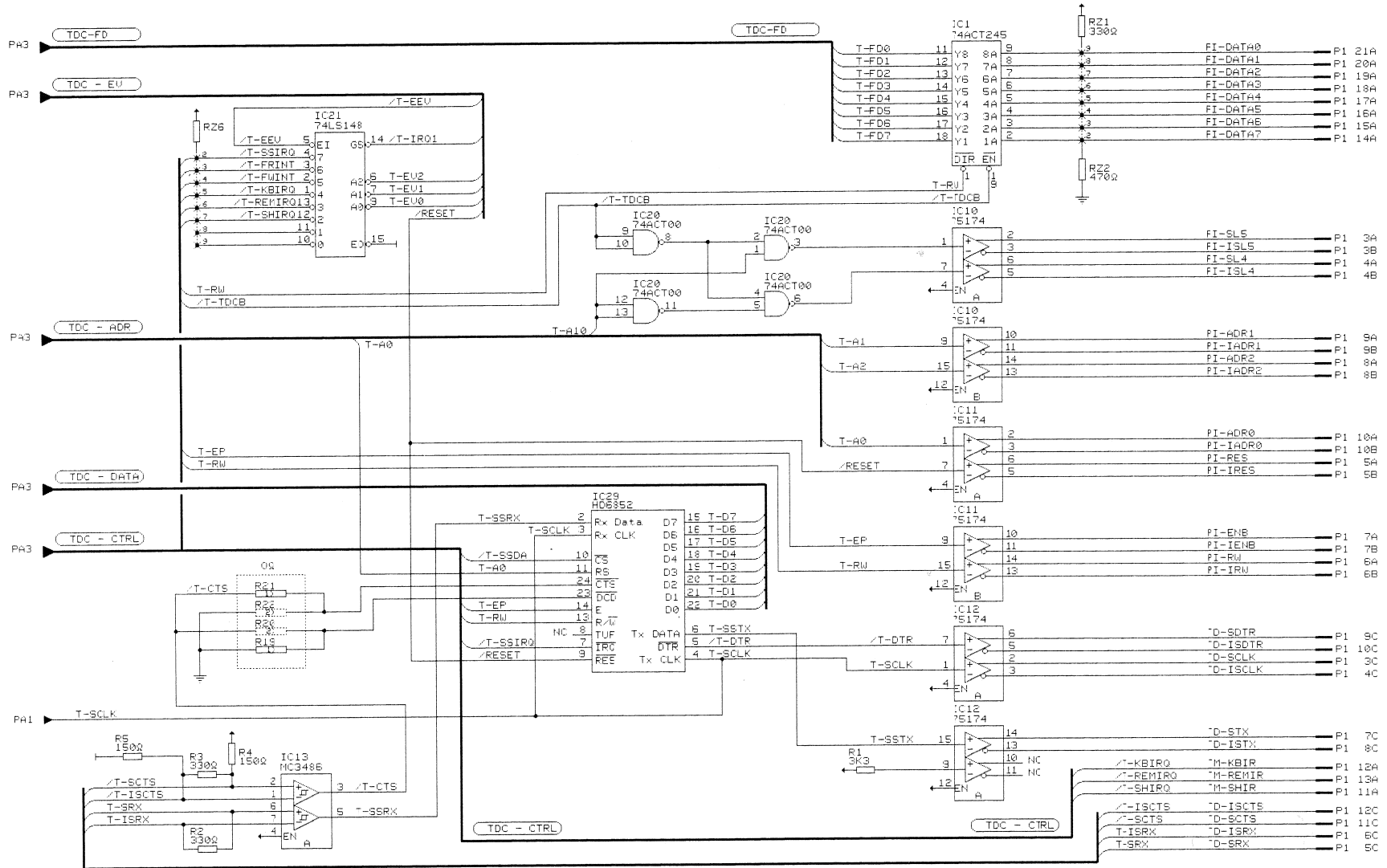


⑩ 10.7.91 R.A.	① D820 MCH	② TAPE DECK CONTROLLER MPU SECTION	③ PAGE 3 OF 10
<b>STUDER</b>		PIF BOARD	SC 1.662.656.25



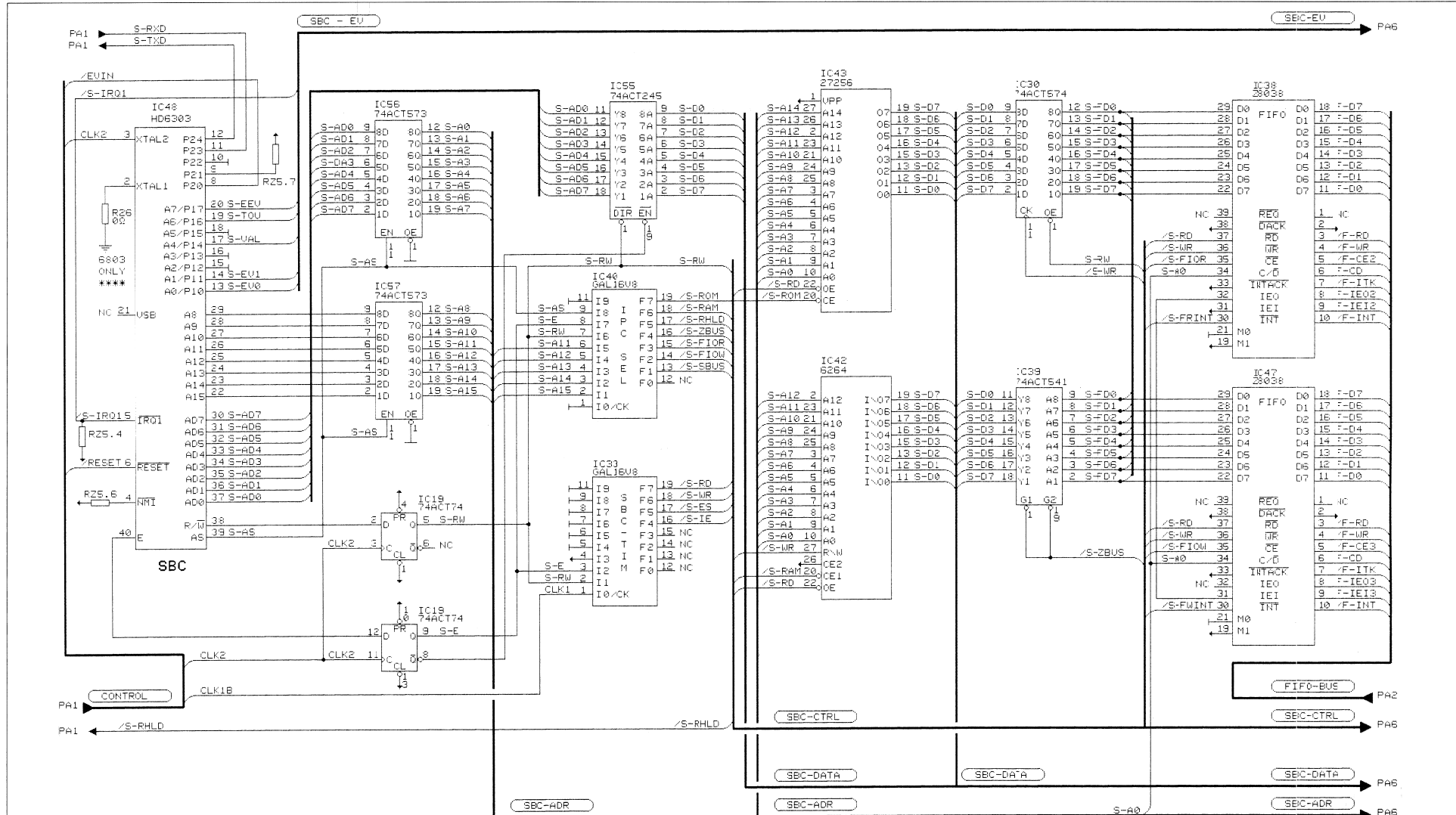
PERIPHERAL INTERFACE 1.862.656.25

- Tape Deck Controller IF Section



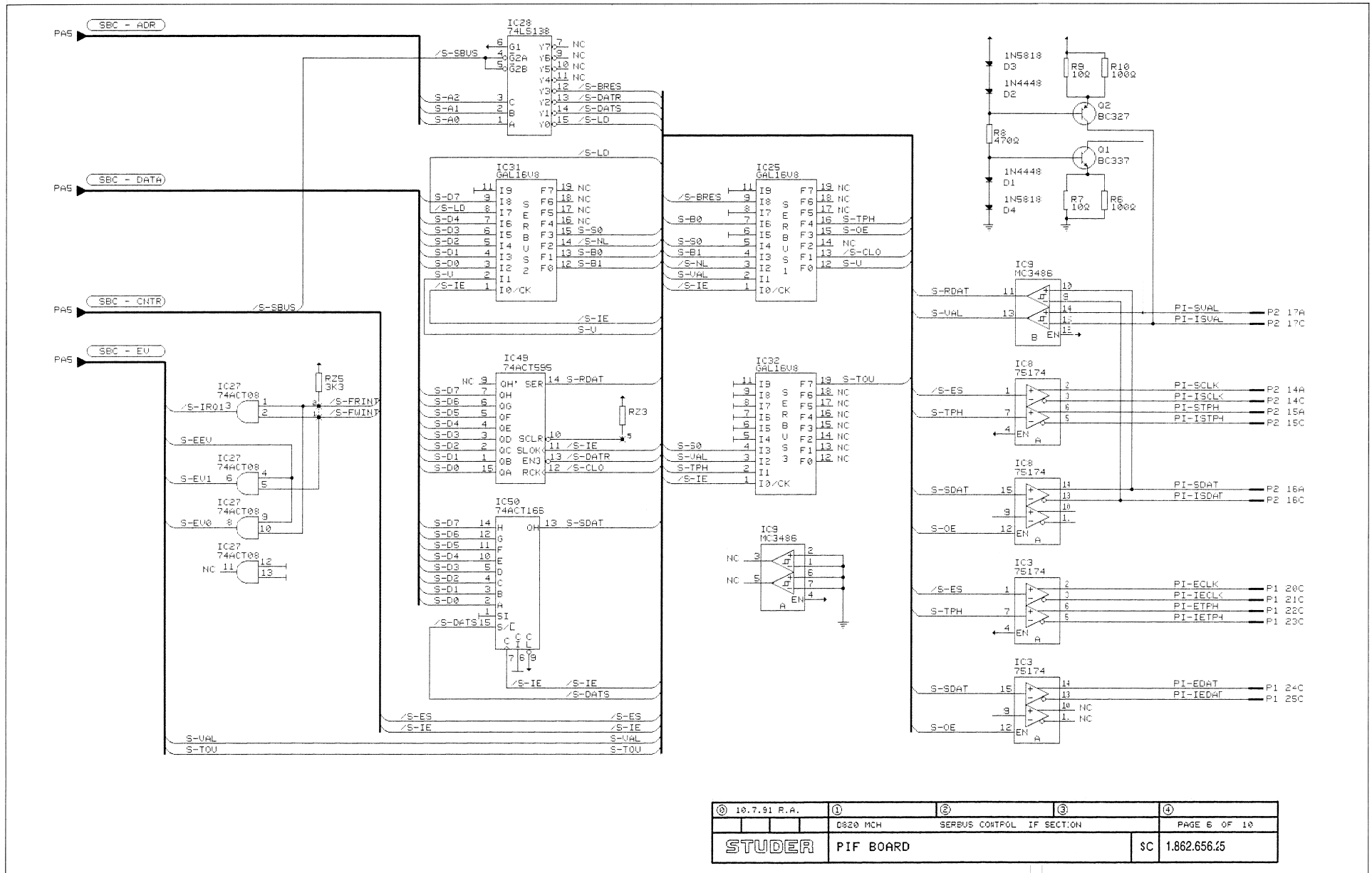
① 10.7.91 R.A.	②	③	④
DR20 MCH	TAPE DECK CONTROLLER IF SECTION	PAGE 4 OF 10	
<b>STUDER</b>	PIF BOARD	SC	1.862.65625

PERIPHERAL INTERFACE 1.862.656.25  
- Serbus Controller MPU Section



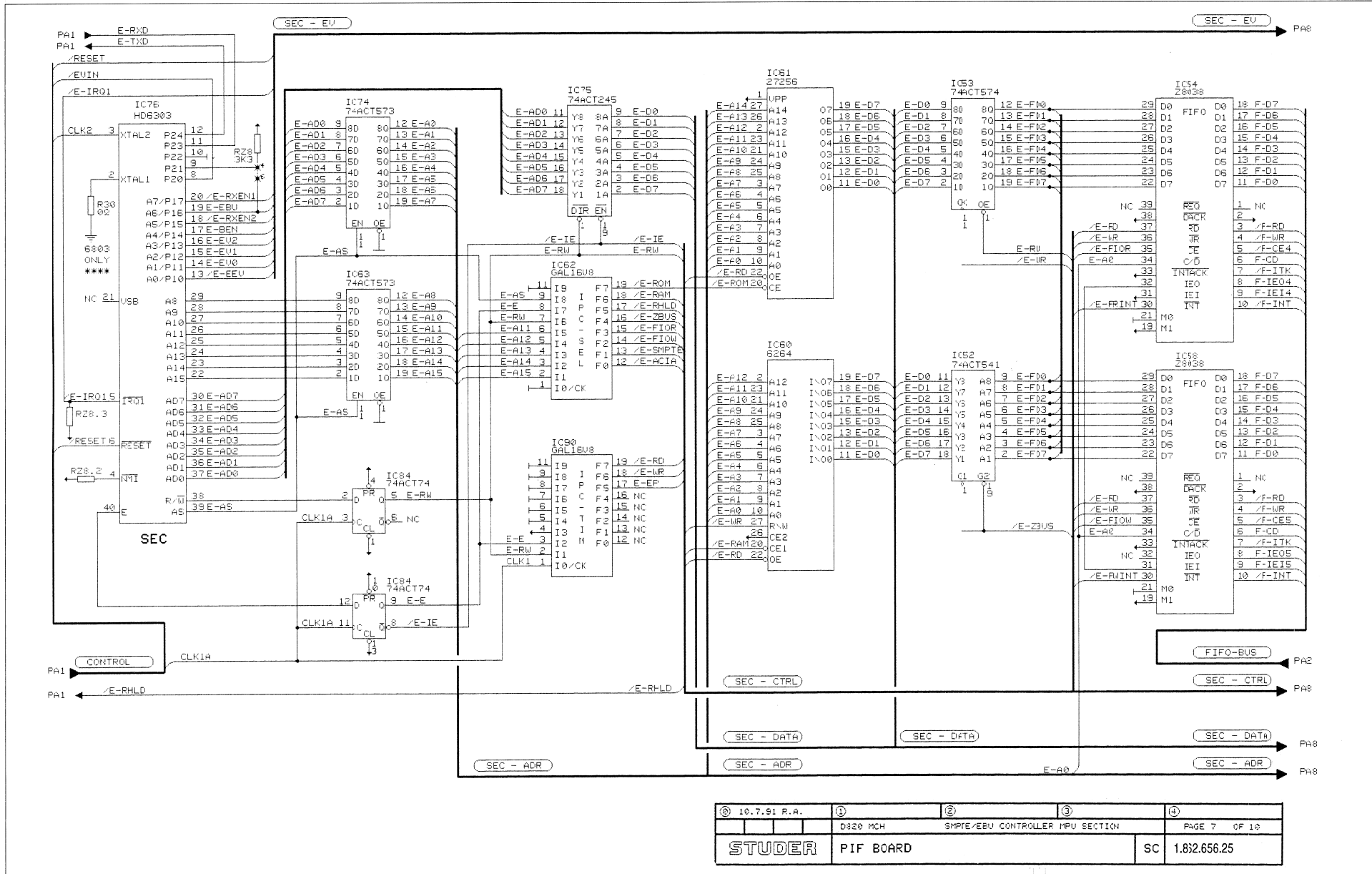
① 18.7.91 R.A.	② D820 MCH	③ SERBUS CONTROLLER MPU SECTION	④ PAGE 5 OF 10
STUDER		PIF BOARD	SC 1.852.656.25

PERIPHERAL INTERFACE 1.862.656.25  
- Serbus Control IF Section

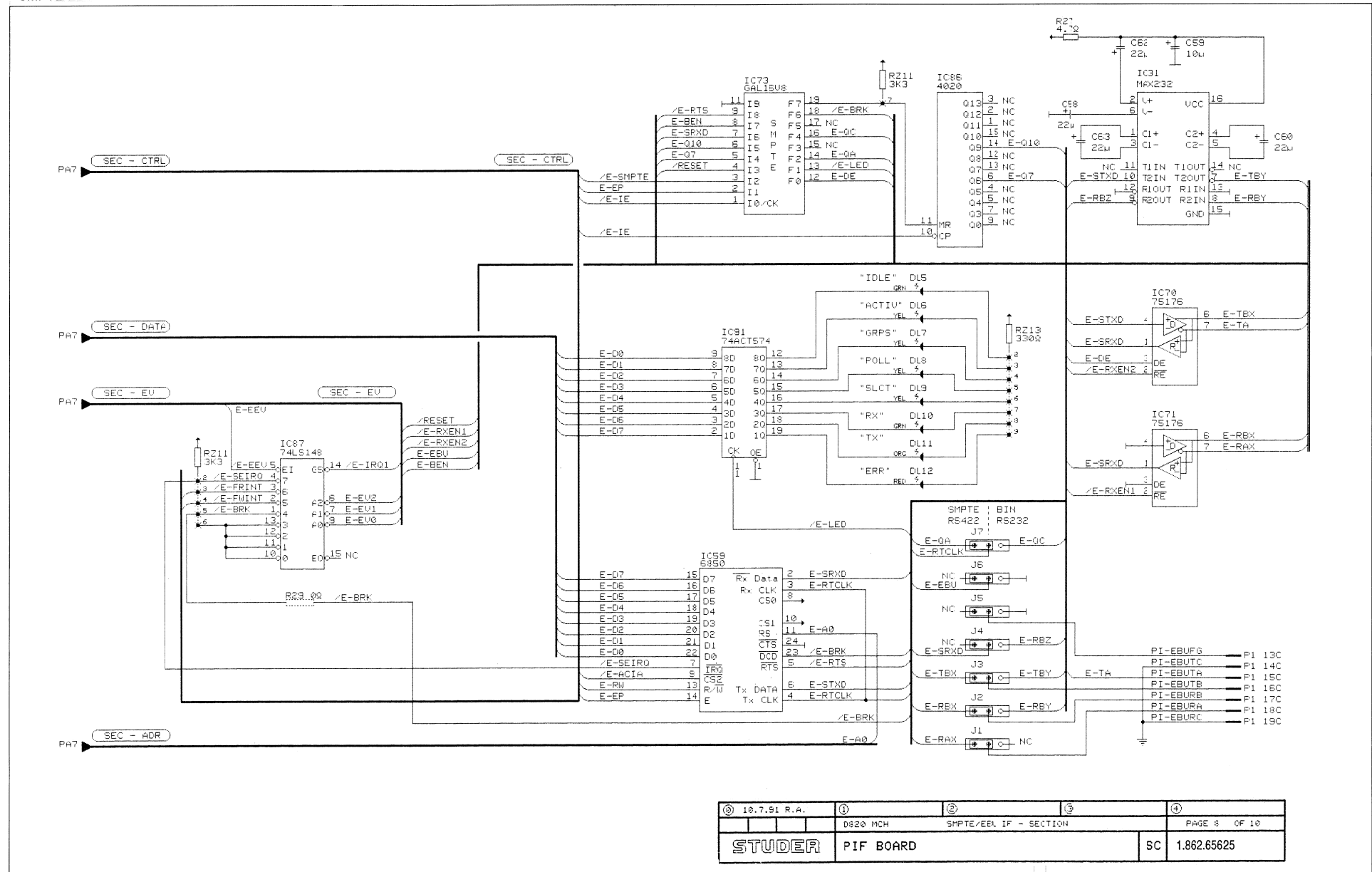


© 10.7.91 P.A.	① D820 MCH	② SERBUS CONTROL IF SECTION	③ PAGE 6 OF 10
STUDER	PIF BOARD	SC	1.862.656.25

PERIPHERAL INTERFACE 1.862.656.25  
- SMPTE/EBU Controller MPU Section

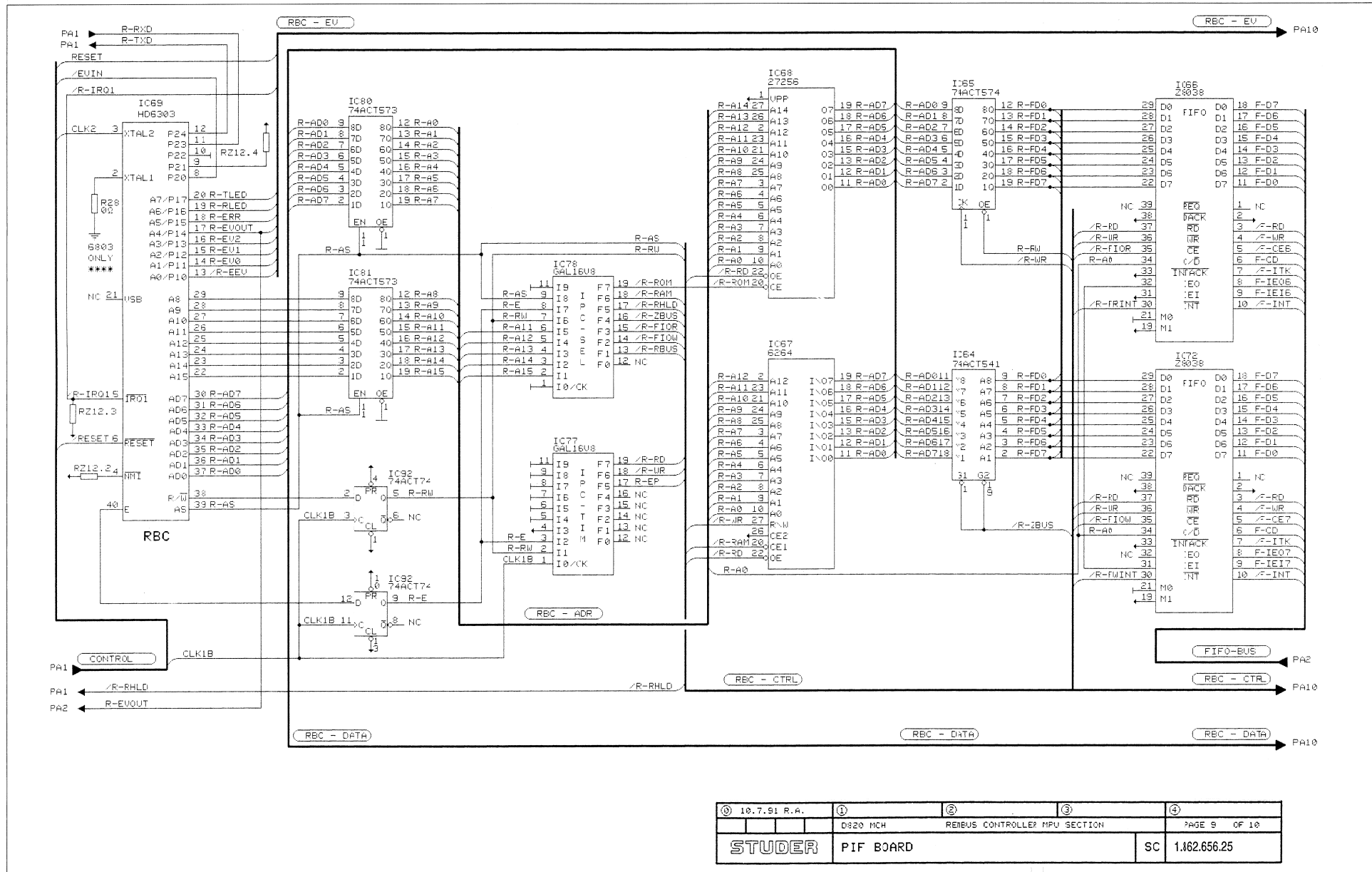


PERIPHERAL INTERFACE 1.862.656.25  
- SMPTE/EBU IF Section



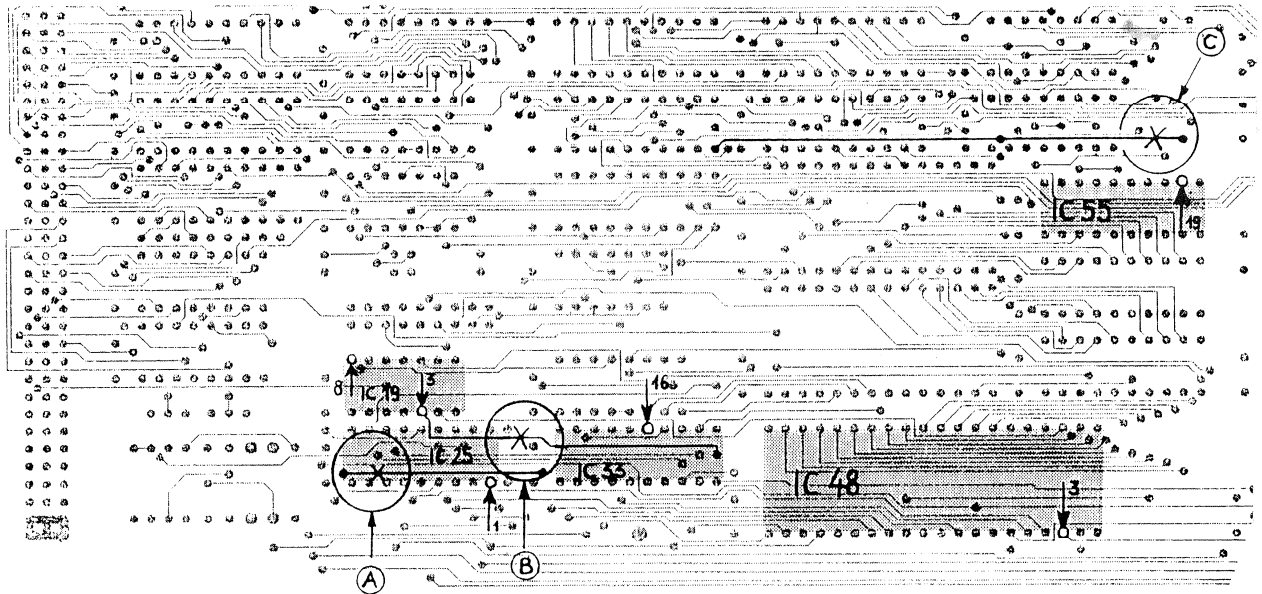
①	10.7.91 R.A.	②	D820 MCH	③	SMPTE/EBU IF - SECTION	④	PAGE 8 OF 10
STUDER		PIF BOARD		SC	1.862.65625		

PERIPHERAL INTERFACE 1.862.656.25  
- Rembus Controller MPU Section



① 10.7.91 R.A.	② D820 MCH	③ REMBUS CONTROLLER MPU SECTION	④ PAGE 9 OF 10
STUDER		PIF BOARD	SC 1.862.656.25

PERIPHERAL INTERFACE 1.862.656.25



Modifikationen auf Lötseite:

Leiterbahnen unterbrechen bei A, B, C und 2 x bei IC 89 (siehe sep. Skizze A)

Wrap-Draht MP 18 = Verbindung IC 25 Pin 1 → IC 33 Pin 16

Wrap-Draht MP 19 = Verbindung IC 19 Pin 3 → IC 48 Pin 3

Wrap-Draht MP 20 = Verbindung IC 19 Pin 8 → IC 55 Pin 19

Ad	..POS..	...REF.No...	DESCRIPTION.....	MANUFACTURER	Ad	..POS..	...REF.No...	DESCRIPTION.....	MANUFACTURER
C....1	59.06.0683		.068 u 10%, 63V, PETP	ANY	C....41	59.06.0683	.068 u 10%, 63V, PETP	ANY	
C....2	59.06.0683		.068 u 10%, 63V, PETP	ANY	C....42	59.06.0683	.068 u 10%, 63V, PETP	ANY	
C....3	59.06.0683		.068 u 10%, 63V, PETP	ANY	C....43	59.06.0683	.068 u 10%, 63V, PETP	ANY	
C....4	59.06.0683		.068 u 10%, 63V, PETP	ANY	C....44	59.06.0683	.068 u 10%, 63V, PETP	ANY	
C....5	59.06.0683		.068 u 10%, 63V, PETP	ANY	C....45	59.06.0683	.068 u 10%, 63V, PETP	ANY	
C....6	59.06.0683		.068 u 10%, 63V, PETP	ANY	C....46	59.06.0683	.068 u 10%, 63V, PETP	ANY	
C....7	59.06.0683		.068 u 10%, 63V, PETP	ANY	C....47	59.06.0683	.068 u 10%, 63V, PETP	ANY	
C....8	59.06.0683		.068 u 10%, 63V, PETP	ANY	C....48	59.06.0683	.068 u 10%, 63V, PETP	ANY	
C....9	59.06.0683		.068 u 10%, 63V, PETP	ANY	C....49	59.06.0683	.068 u 10%, 63V, PETP	ANY	
C....10	59.06.0683		.068 u 10%, 63V, PETP	ANY	C....50	59.06.0683	.068 u 10%, 63V, PETP	ANY	
C....11	59.06.0683		.068 u 10%, 63V, PETP	ANY	C....51	59.06.0683	.068 u 10%, 63V, PETP	ANY	
C....12	59.06.0683		.068 u 10%, 63V, PETP	ANY	C....52	59.06.0683	.068 u 10%, 63V, PETP	ANY	
C....13	59.06.0683		.068 u 10%, 63V, PETP	ANY	C....53	59.06.0683	.068 u 10%, 63V, PETP	ANY	
C....14	59.06.0683		.068 u 10%, 63V, PETP	ANY	C....54	59.06.0683	.068 u 10%, 63V, PETP	ANY	
C....15	59.22.3471		470 u -20%, 10V, EL	ANY	C....55	59.06.0683	.068 u 10%, 63V, PETP	ANY	
C....16	59.06.0683		.068 u 10%, 63V, PETP	ANY	C....56	59.06.0683	.068 u 10%, 63V, PETP	ANY	
C....17	59.06.0683		.068 u 10%, 63V, PETP	ANY	C....57	59.06.0683	.068 u 10%, 63V, PETP	ANY	
C....18	59.06.0683		.068 u 10%, 63V, PETP	ANY	C....58	59.22.5220	22 u -20%, 25V, EL	ANY	
C....19	59.06.0683		.068 u 10%, 63V, PETP	ANY	C....59	59.22.6100	10 u -20%, 35V, EL	ANY	
C....20	59.06.0683		.068 u 10%, 63V, PETP	ANY	C....60	59.22.5220	22 u -20%, 25V, EL	ANY	
C....21	59.06.0683		.068 u 10%, 63V, PETP	ANY	C....61	59.06.0683	.068 u 10%, 63V, PETP	ANY	
C....22	59.06.0683		.068 u 10%, 63V, PETP	ANY	C....62	59.22.5220	22 u -20%, 25V, EL	ANY	
C....23	59.06.0683		.068 u 10%, 63V, PETP	ANY	C....63	59.22.5220	22 u -20%, 25V, EL	ANY	
C....24	59.06.0683		.068 u 10%, 63V, PETP	ANY	C....64	59.06.0683	.068 u 10%, 63V, PETP	ANY	
C....25	59.06.0683		.068 u 10%, 63V, PETP	ANY	C....65	59.06.0683	.068 u 10%, 63V, PETP	ANY	
C....26	59.06.0683		.068 u 10%, 63V, PETP	ANY	C....66	59.06.0683	.068 u 10%, 63V, PETP	ANY	
C....27	59.06.0683		.068 u 10%, 63V, PETP	ANY	C....67	59.06.0683	.068 u 10%, 63V, PETP	ANY	
C....28	59.06.0683		.068 u 10%, 63V, PETP	ANY	C....68	59.06.0683	.068 u 10%, 63V, PETP	ANY	
C....29	59.06.0683		.068 u 10%, 63V, PETP	ANY	C....69	59.06.0683	.068 u 10%, 63V, PETP	ANY	
C....30	59.06.0683		.068 u 10%, 63V, PETP	ANY	C....70	59.06.0683	.068 u 10%, 63V, PETP	ANY	
C....31	59.06.0683		.068 u 10%, 63V, PETP	ANY	C....71	59.06.0683	.068 u 10%, 63V, PETP	ANY	
C....32	59.06.0683		.068 u 10%, 63V, PETP	ANY	C....72	59.06.0683	.068 u 10%, 63V, PETP	ANY	
C....33	59.06.0683		.068 u 10%, 63V, PETP	ANY	C....73	59.06.0683	.068 u 10%, 63V, PETP	ANY	
C....34	59.06.0683		.068 u 10%, 63V, PETP	ANY	C....74	59.06.0683	.068 u 10%, 63V, PETP	ANY	
C....35	59.06.0683		.068 u 10%, 63V, PETP	ANY	C....75	59.06.0683	.068 u 10%, 63V, PETP	ANY	
C....36	59.06.0683		.068 u 10%, 63V, PETP	ANY	C....76	59.06.0683	.068 u 10%, 63V, PETP	ANY	
C....37	59.06.0683		.068 u 10%, 63V, PETP	ANY	C....77	59.06.0683	.068 u 10%, 63V, PETP	ANY	
C....38	59.06.0683		.068 u 10%, 63V, PETP	ANY	C....78	59.06.0683	.068 u 10%, 63V, PETP	ANY	
C....39	59.06.0683		.068 u 10%, 63V, PETP	ANY	C....79	59.06.0683	.068 u 10%, 63V, PETP	ANY	
C....40	59.06.0683		.068 u 10%, 63V, PETP	ANY	C....80	59.06.0683	.068 u 10%, 63V, PETP	ANY	



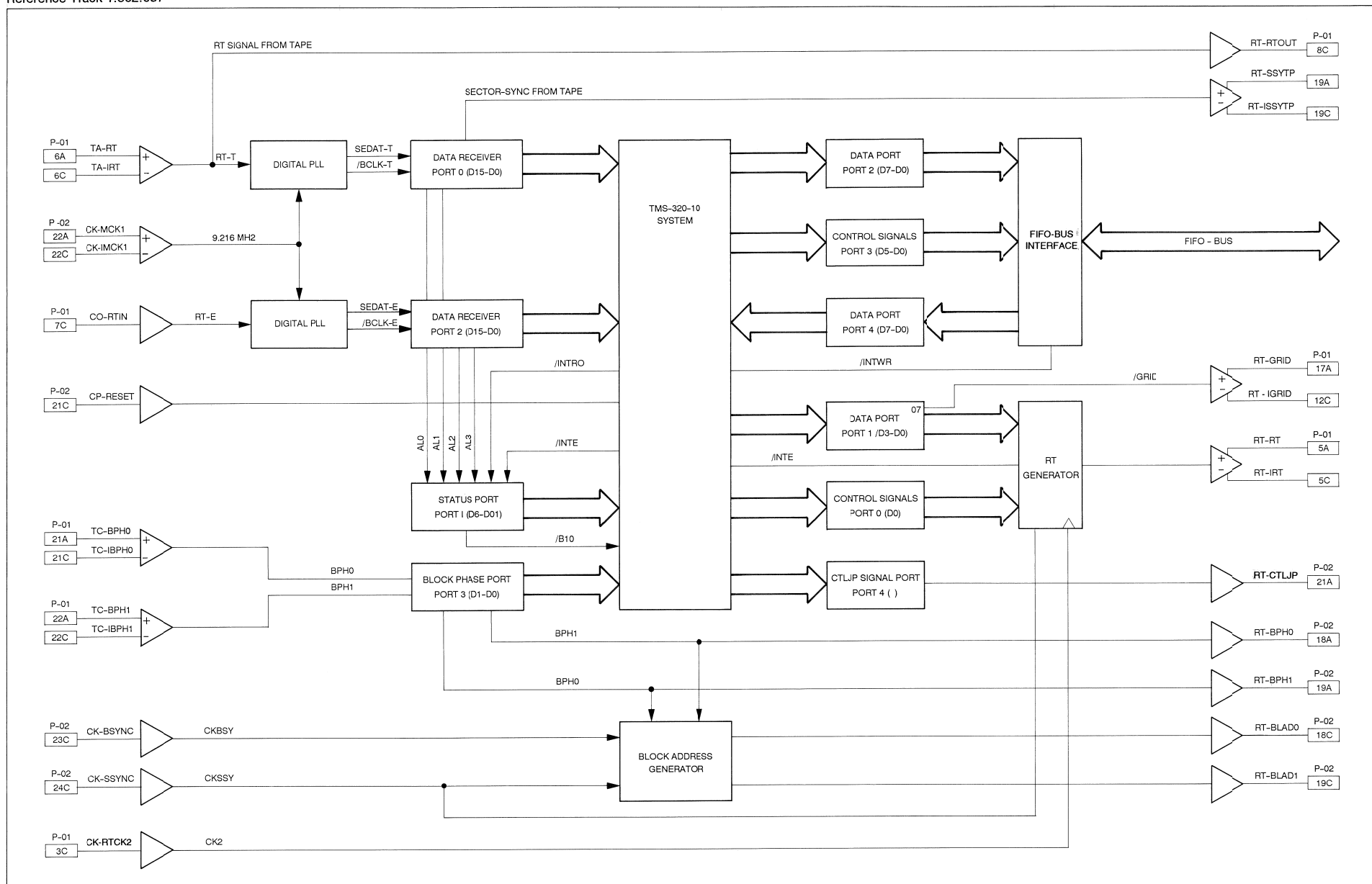




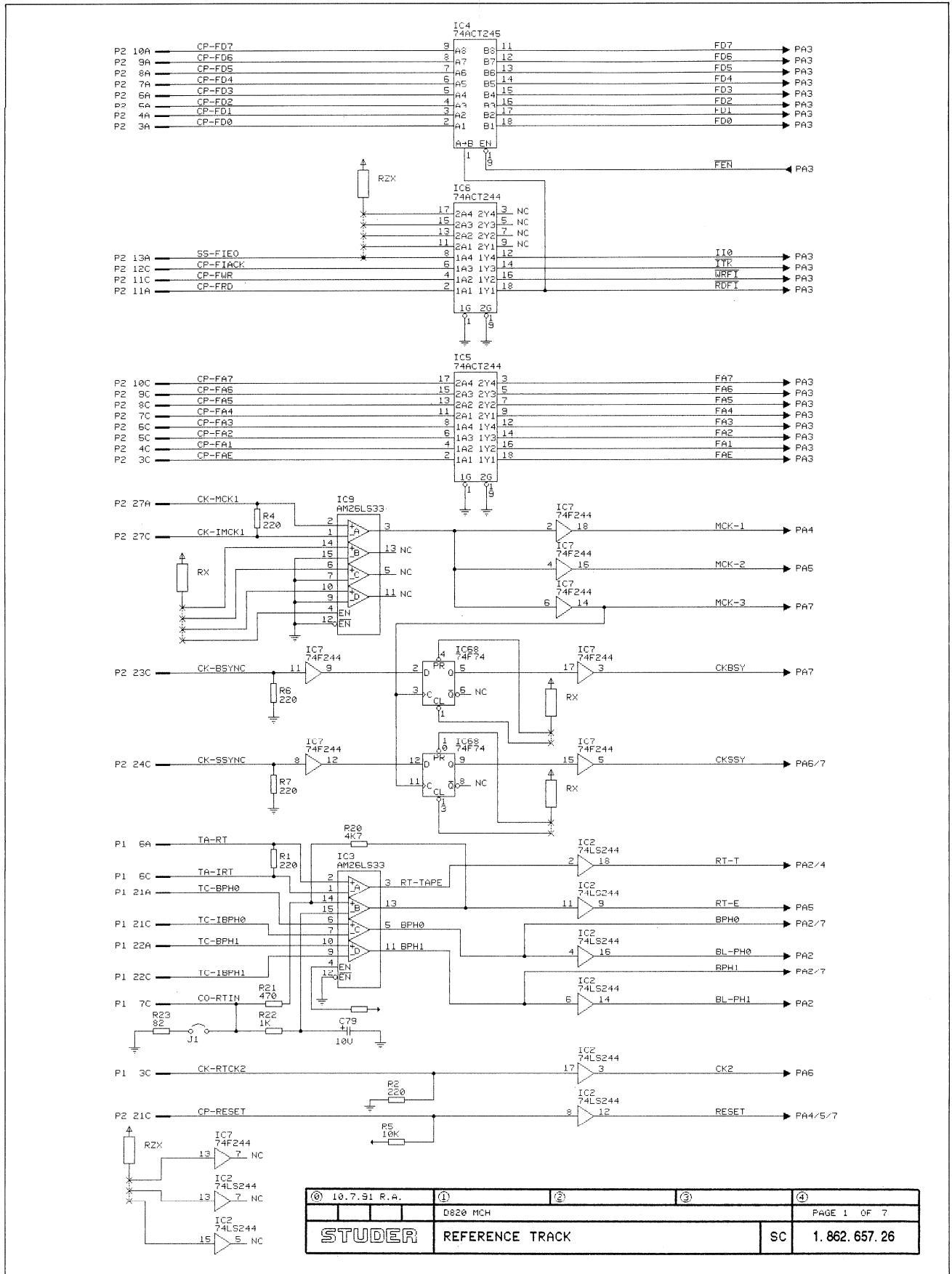
PERIPHERAL INTERFACE 1.862.656.25

Ad	..POS..	..REF.No...	DESCRIPTION.....	MANUFACTURER	Ad	..POS..	..REF.No...	DESCRIPTION.....	MANUFACTURER
MP...	19	1.010.116.64	WIRE WRAP DRAHT D .255 L=160	ANY	XIC..	11	53.03.0168	XIC DIL 16-POL	ANY
MP...	20	1.010.119.64	WIRE WRAP DRAHT D .255 L=190	ANY	XIC..	12	53.03.0168	XIC DIL 16-POL	ANY
P.....	1	54.01.0358	LEISTE 3 * 32 EURO PRINT	ANY	XIC..	13	53.03.0168	XIC DIL 16-POL	ANY
P.....	2	54.01.0358	LEISTE 3 * 32 EURO PRINT	ANY	XIC..	14	53.03.0168	XIC DIL 16-POL	ANY
P.....	3	54.11.0125	63*.63 WINKEL, AU QTY12	ANY	XIC..	15	53.03.0168	XIC DIL 16-POL	ANY
P.....	4	54.01.0020	63*.63, H=5.8/3.4 QTY27	ANY	XIC..	18	53.03.0167	XIC DIL 14-POL	ANY
Q.....	1	50.03.0340	BC 337-25	ANY	XIC..	25	53.03.0165	XIC DIL 20-POL	ANY
Q.....	2	50.03.0351	BC 327-25	ANY	XIC..	31	53.03.0165	XIC DIL 20-POL	ANY
Q.....	3	50.03.0351	BC 327-25	ANY	XIC..	32	53.03.0165	XIC DIL 20-POL	ANY
Q.....	4	50.03.0340	BC 337-25	ANY	XIC..	33	53.03.0165	XIC DIL 20-POL	ANY
Q.....	5	50.03.0340	BC 337-25	ANY	XIC..	35	53.03.0173	XIC DIL 28-POL	ANY
Q.....	6	50.03.0351	BC 327-25	ANY	XIC..	37	53.03.0172	XIC DIL 40-POL	ANY
R.....	1	57.11.3332	3,3 k 1%, 0207, MF	ANY	XIC..	43	53.03.0173	XIC DIL 28-POL	ANY
R.....	2	57.11.3331	330 1%, 0207, MF	ANY	XIC..	44	53.03.0165	XIC DIL 20-POL	ANY
R.....	3	57.11.3331	330 1%, 0207, MF	ANY	XIC..	45	53.03.0165	XIC DIL 20-POL	ANY
R.....	4	57.11.3151	150 1%, 0207, MF	ANY	XIC..	48	53.03.0172	XIC DIL 40-POL	ANY
R.....	5	57.11.3151	150 1%, 0207, MF	ANY					
R.....	6	57.11.3101	100 1%, 0207, MF	ANY	XIC..	51	53.03.0168	XIC DIL 16-POL	ANY
R.....	7	57.11.3100	10 1%, 0207, MF	ANY					
R.....	8	57.11.3471	470 1%, 0207, MF	ANY	XIC..	61	53.03.0173	XIC DIL 28-POL	ANY
R.....	9	57.11.3100	10 1%, 0207, MF	ANY	XIC..	62	53.03.0165	XIC DIL 20-POL	ANY
R.....	10	57.11.3101	100 1%, 0207, MF	ANY	XIC..	68	53.03.0173	XIC DIL 28-POL	ANY
R.....	11	57.11.3000	0 0207, MF	ANY	XIC..	69	53.03.0172	XIC DIL 40-POL	ANY
R.....	15	57.11.3000	0 0207, MF	ANY	XIC..	70	53.03.0166	XIC DIL 8-POL	ANY
R.....	16	57.11.3000	0 0207, MF	ANY	XIC..	71	53.03.0166	XIC DIL 8-POL	ANY
R.....	17	57.11.3000	0 0207, MF	ANY	XIC..	73	53.03.0165	XIC DIL 20-POL	ANY
R.....	19	57.11.3000	0 0207, MF	ANY	XIC..	76	53.03.0172	XIC DIL 40-POL	ANY
R.....	21	57.11.3000	0 0207, MF	ANY	XIC..	77	53.03.0165	XIC DIL 20-POL	ANY
R.....	24	57.11.3000	0 0207, MF	ANY	XIC..	78	53.03.0165	XIC DIL 20-POL	ANY
R.....	27	57.11.3479	4.7 1%, 0207, MF	ANY	XIC..	79	53.03.0173	XIC DIL 28-POL	ANY
R.....	31	57.11.3101	100 1%, 0207, MF	ANY	XIC..	90	53.03.0165	XIC DIL 20-POL	ANY
R.....	32	57.11.3332	3,3 k 1%, 0207, MF	ANY	XIC..	97	53.03.0168	XIC DIL 16-POL	ANY
R.....	33	57.11.3332	3,3 k 1%, 0207, MF	ANY	XIC..	98	53.03.0168	XIC DIL 16-POL	ANY
R.....	34	57.11.3120	12 1%, 0207, MF	ANY	Y.....	1	89.01.1807	Y-OSC 19.6608 MHZ	ANY
R.....	35	57.11.3471	470 1%, 0207, MF	ANY	REMARKS:				
R.....	36	57.11.3120	12 1%, 0207, MF	ANY	MANUFACTURERS: St = STUDER				
R.....	37	57.11.3471	470 1%, 0207, MF	ANY	ABBREVIATIONS: CER = CERAMIC / FILM = FILM TYPE / XF = CLAMP FOR FUSES / XIC = IC SOCKET				
R.....	38	57.11.3120	12 1%, 0207, MF	ANY	1.862.656.25 PIF-BOARD, ESE ML 94/06/1700				
R.....	39	57.11.3120	12 1%, 0207, MF	ANY					
R.....	42	57.11.3000	0 0207, MF	ANY					
R.....	51	57.11.3000	0 0207, MF	ANY					
R.....	52	57.11.3479	4.7 1%, 0207, MF	ANY					
R.....	53	57.11.3102	1 k 1%, 0207, MF	ANY					
R.....	54	57.11.3471	470 1%, 0207, MF	ANY					
R.....	55	57.11.3332	3,3 k 1%, 0207, MF	ANY					
R.....	56	57.11.3471	470 1%, 0207, MF	ANY					
R.....	57	57.11.3332	3,3 k 1%, 0207, MF	ANY					
R.....	58	57.11.3331	330 1%, 0207, MF	ANY					
R.....	59	57.11.3153	15 k 1%, 0207, MF	ANY					
R.....	60	57.11.3153	15 k 1%, 0207, MF	ANY					
R.....	61	57.11.3331	330 1%, 0207, MF	ANY					
R.....	62	57.11.3153	15 k 1%, 0207, MF	ANY					
R.....	63	57.11.3331	330 1%, 0207, MF	ANY					
R.....	64	57.11.3153	15 k 1%, 0207, MF	ANY					
R.....	65	57.11.3331	330 1%, 0207, MF	ANY					
R.....	66	57.11.3104	100 k 1%, 0207, MF	ANY					
R.....	67	57.11.3331	330 1%, 0207, MF	ANY					
R.....	68	57.11.3104	100 k 1%, 0207, MF	ANY					
R.....	69	57.11.3331	330 1%, 0207, MF	ANY					
R.....	70	57.11.3104	100 k 1%, 0207, MF	ANY					
R.....	71	57.11.3331	330 1%, 0207, MF	ANY					
R.....	72	57.11.3331	330 1%, 0207, MF	ANY					
R.....	73	57.11.3104	100 k 1%, 0207, MF	ANY					
RZ....	1	57.88.4331	8 * 330 E 2%, SIP 9	ANY					
RZ....	2	57.88.4471	8 * 470 E 2%, SIP 9	ANY					
RZ....	3	57.88.4103	8 * 10 k, 2%, SIP 9	ANY					
RZ....	4	57.88.4332	8 * 3.3 k, 2%, SIP 9	ANY					
RZ....	5	57.88.4332	8 * 3.3 k, 2%, SIP 9	ANY					
RZ....	6	57.88.4332	8 * 3.3 k, 2%, SIP 9	ANY					
RZ....	7	57.88.4332	8 * 3.3 k, 2%, SIP 9	ANY					
RZ....	8	57.88.4332	8 * 3.3 k, 2%, SIP 9	ANY					
RZ....	9	57.88.4332	8 * 3.3 k, 2%, SIP 9	ANY					
RZ....	10	57.88.4332	8 * 3.3 k, 2%, SIP 9	ANY					
RZ....	11	57.88.4332	8 * 3.3 k, 2%, SIP 9	ANY					
RZ....	12	57.88.4332	8 * 3.3 k, 2%, SIP 9	ANY					
RZ....	13	57.88.4331	8 * 330 E 2%, SIP 9	ANY					
S.....	1	55.03.0122	TASTE 1*A, PRINT,IMPULS	ANY					
TP....	1	54.02.0320	2.8*0.8, GERADE	ANY					
TP....	2	54.02.0320	2.8*0.8, GERADE	ANY					
TP....	3	54.02.0320	2.8*0.8, GERADE	ANY					
TP....	4	54.02.0320	2.8*0.8, GERADE	ANY					
TP....	5	54.02.0320	2.8*0.8, GERADE	ANY					
TP....	6	54.02.0320	2.8*0.8, GERADE	ANY					
XIC...	1	53.03.0165	XIC DIL 20-POL	ANY					
XIC...	3	53.03.0168	XIC DIL 16-POL	ANY					
XIC...	4	53.03.0182	XIC DIL 24-POL	ANY					
XIC...	5	53.03.0165	XIC DIL 20-POL	ANY					
XIC...	6	53.03.0165	XIC DIL 20-POL	ANY					
XIC...	7	53.03.0165	XIC DIL 20-POL	ANY					
XIC...	8	53.03.0168	XIC DIL 16-POL	ANY					
XIC...	9	53.03.0168	XIC DIL 16-POL	ANY					
XIC...	10	53.03.0168	XIC DIL 16-POL	ANY					

**BLOCK DIAGRAM**  
Reference Track 1.862.657



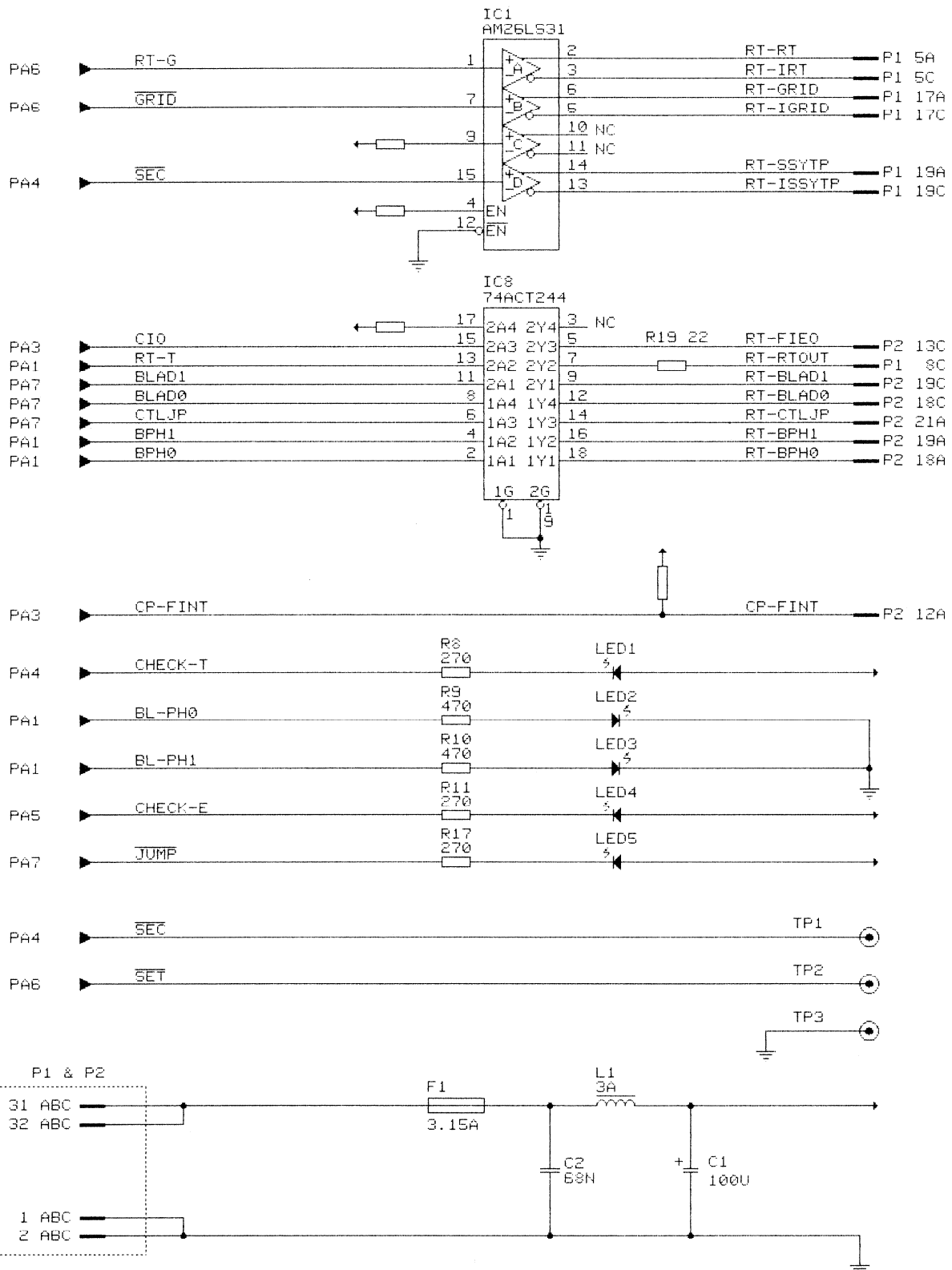
REFERENCE TRACK 1.862.657.26



© 10.7.91 R.A.	①	②	③	④
	D820 MCH			PAGE 1 OF 7
<b>STUDER</b>	REFERENCE TRACK		SC	1.862.657.26

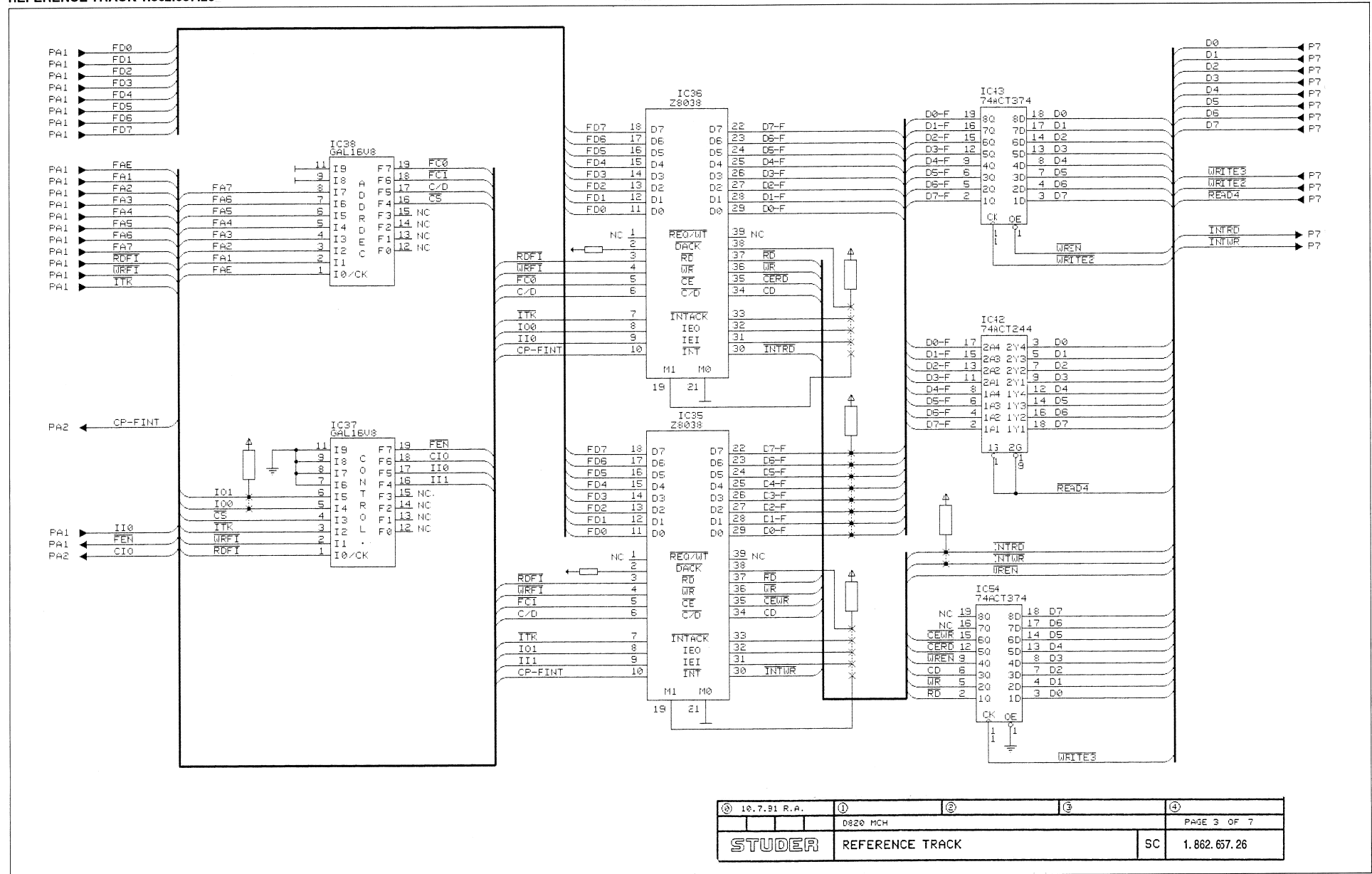


REFERENCE TRACK 1.862.657.26



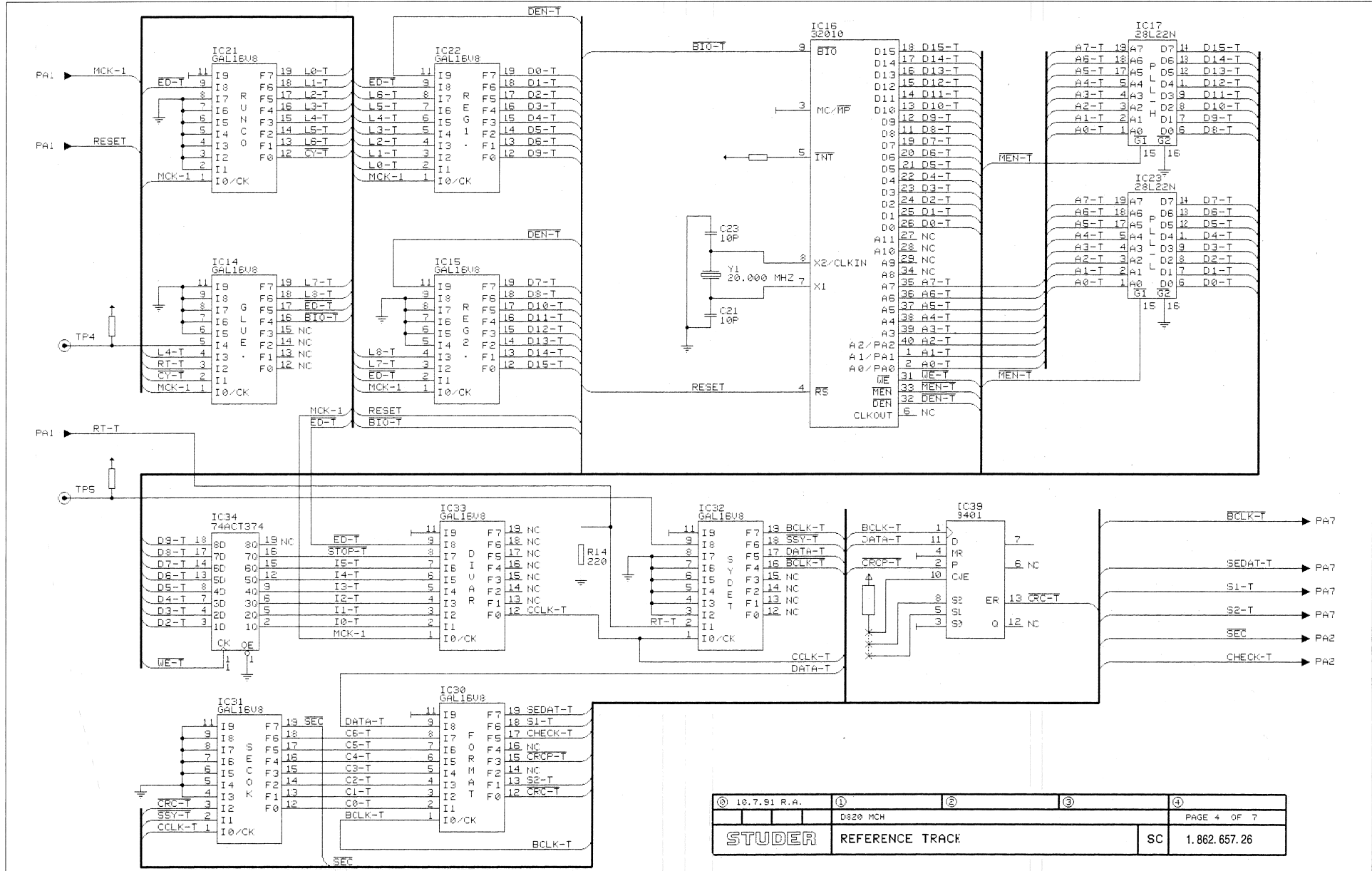
① 10.7.91 R.A.	①	②	③	④
	D820 MCH			PAGE 2 OF 7
<b>STUDER</b>	REFERENCE TRACK		SC	1.862.657.26

REFERENCE TRACK 1.862.657.26



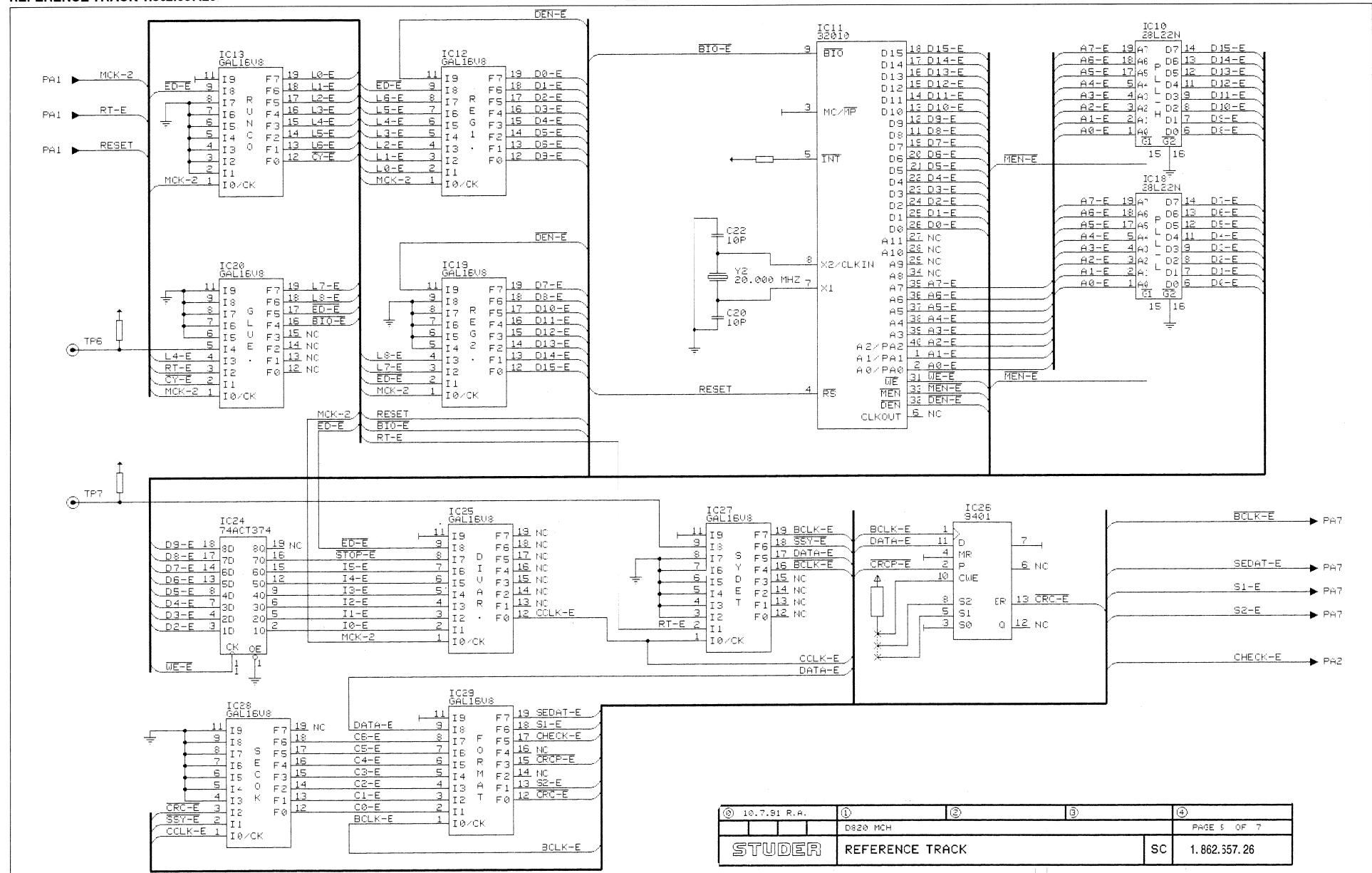
① 10.7.91 R.A.	② 0820 MCH	③	④
STUDER REFERENCE TRACK		SC	1.862.657.26

REFERENCE TRACK 1.862.657.26

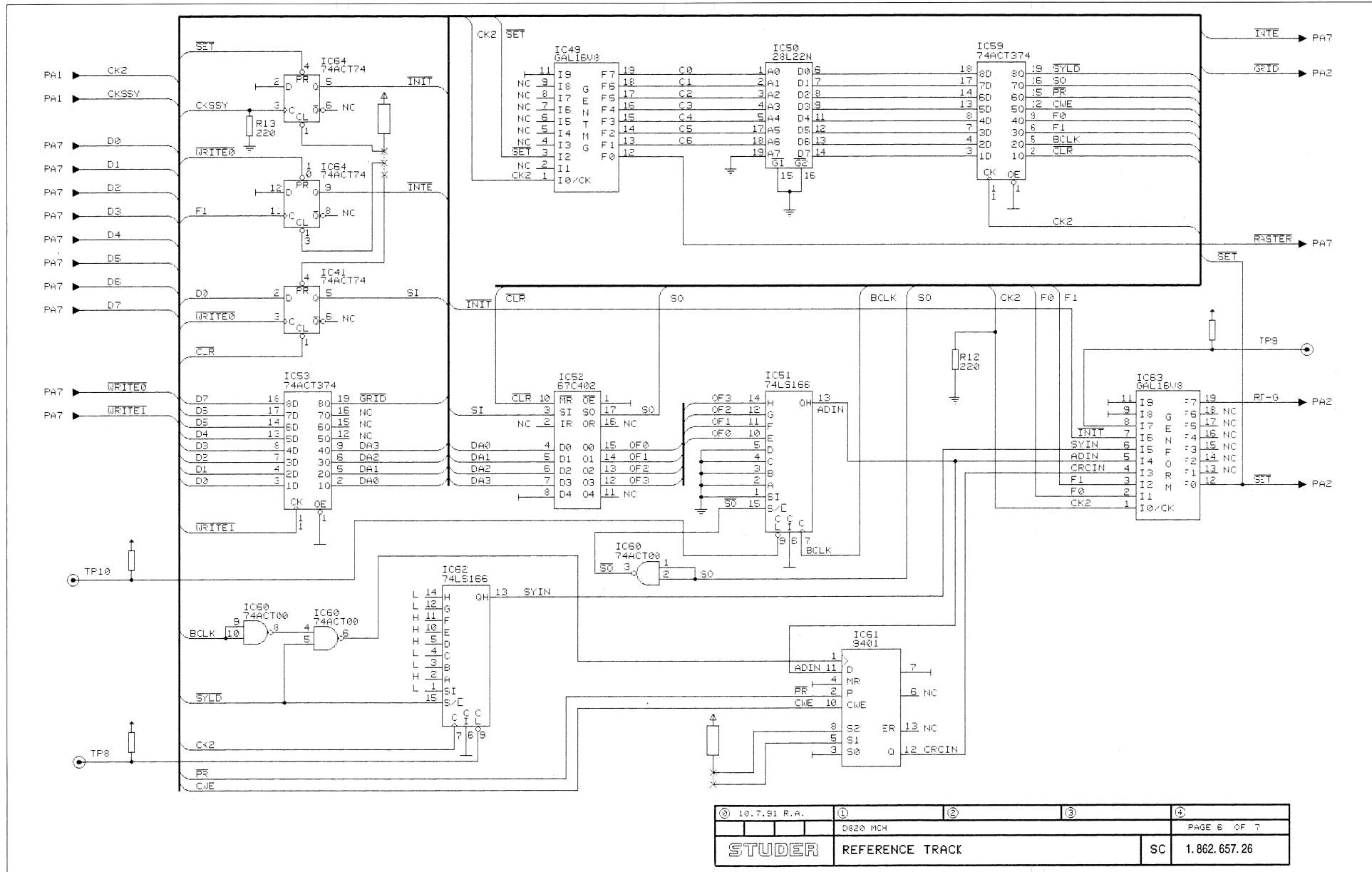


① 18.7.91 R.A.	② D820 MCH	③	④ PAGE 4 OF 7
STUDER REFERENCE TRACK		SC	1.862.657.26

REFERENCE TRACK 1.862.657.26



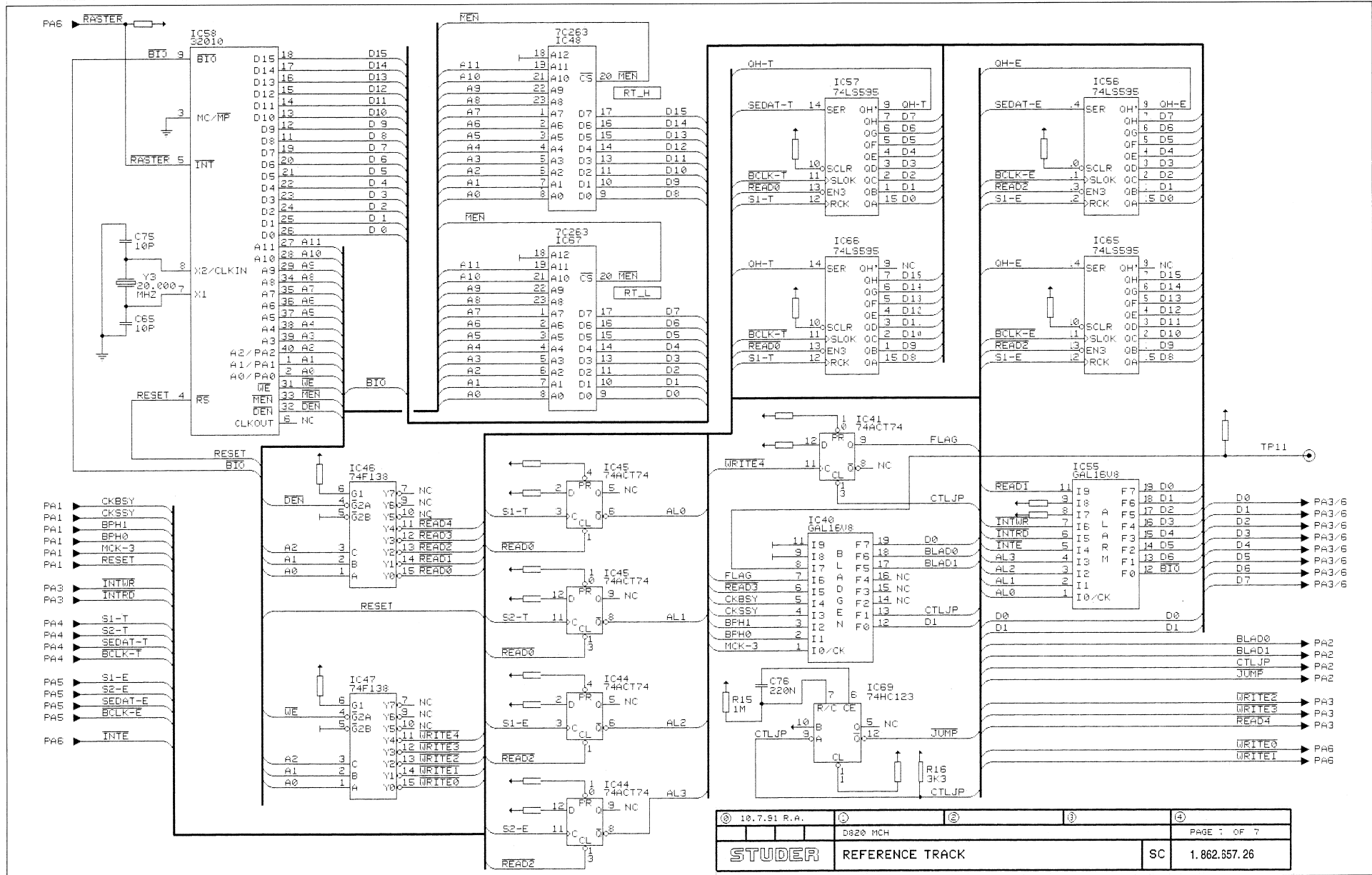
REFERENCE TRACK 1.862.657.26



① 10.7.91 R.A.	②	③	④
	D820 MCH		PAGE 6 OF 7
<b>STUDER</b>		REFERENCE TRACK	SC 1.862.657.26



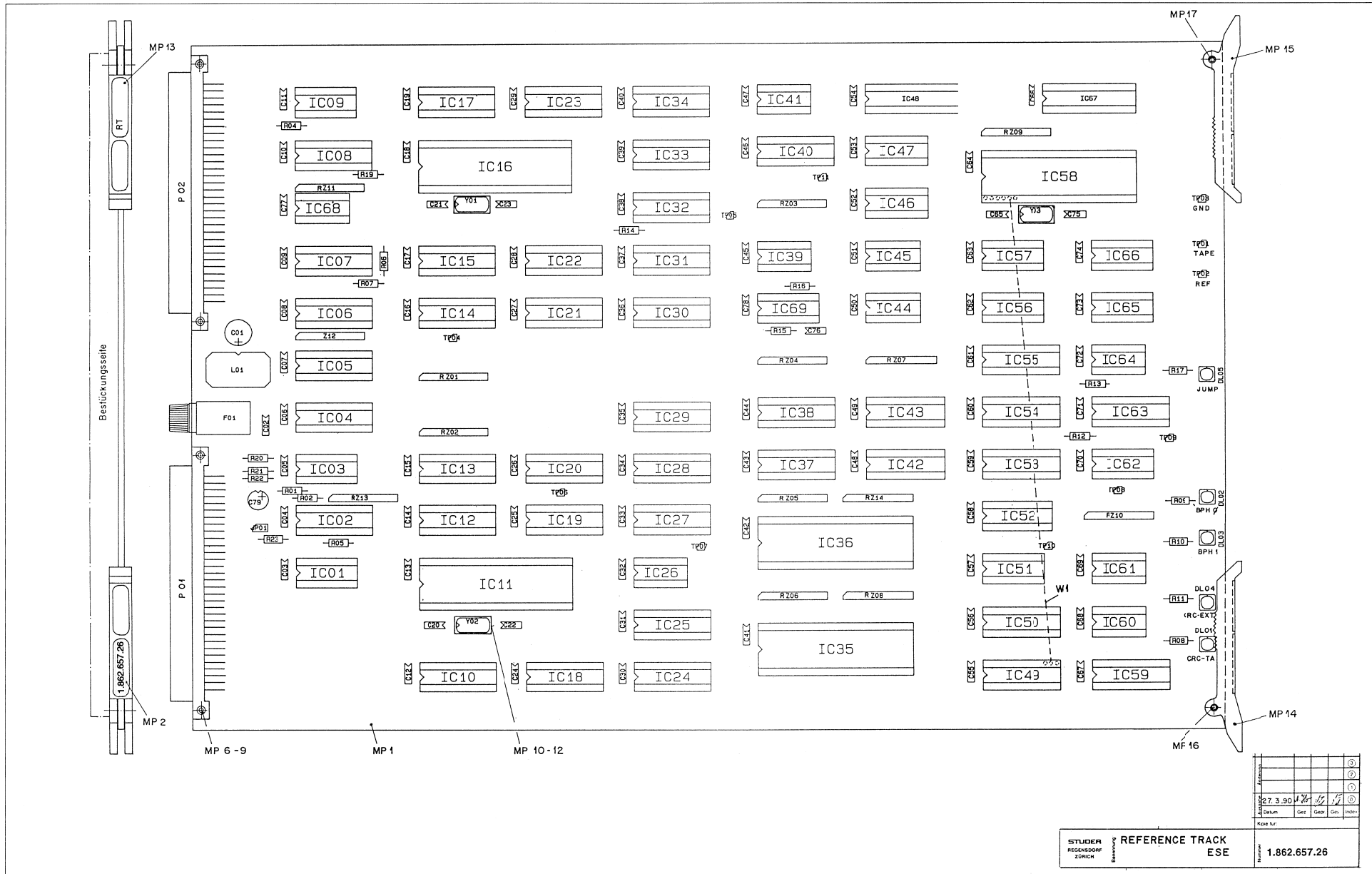
REFERENCE TRACK 1.862.657.26



① 10.7.91 R.A.	② D820 MCH	③	④ PAGE 1 OF 7
<b>STUDER</b>		REFERENCE TRACK	SC 1.862.657.26



REFERENCE TRACK 1.862.657.26



				①
				②
				③
27.3.90	✓	✓	✓	④
1 Datum	Ger	Gepr	Con	Ind+

Name für: \_\_\_\_\_

STUDER  
REGENSDORF  
ZÜRICH

REFERENCE TRACK  
ESE  
1.862.657.26



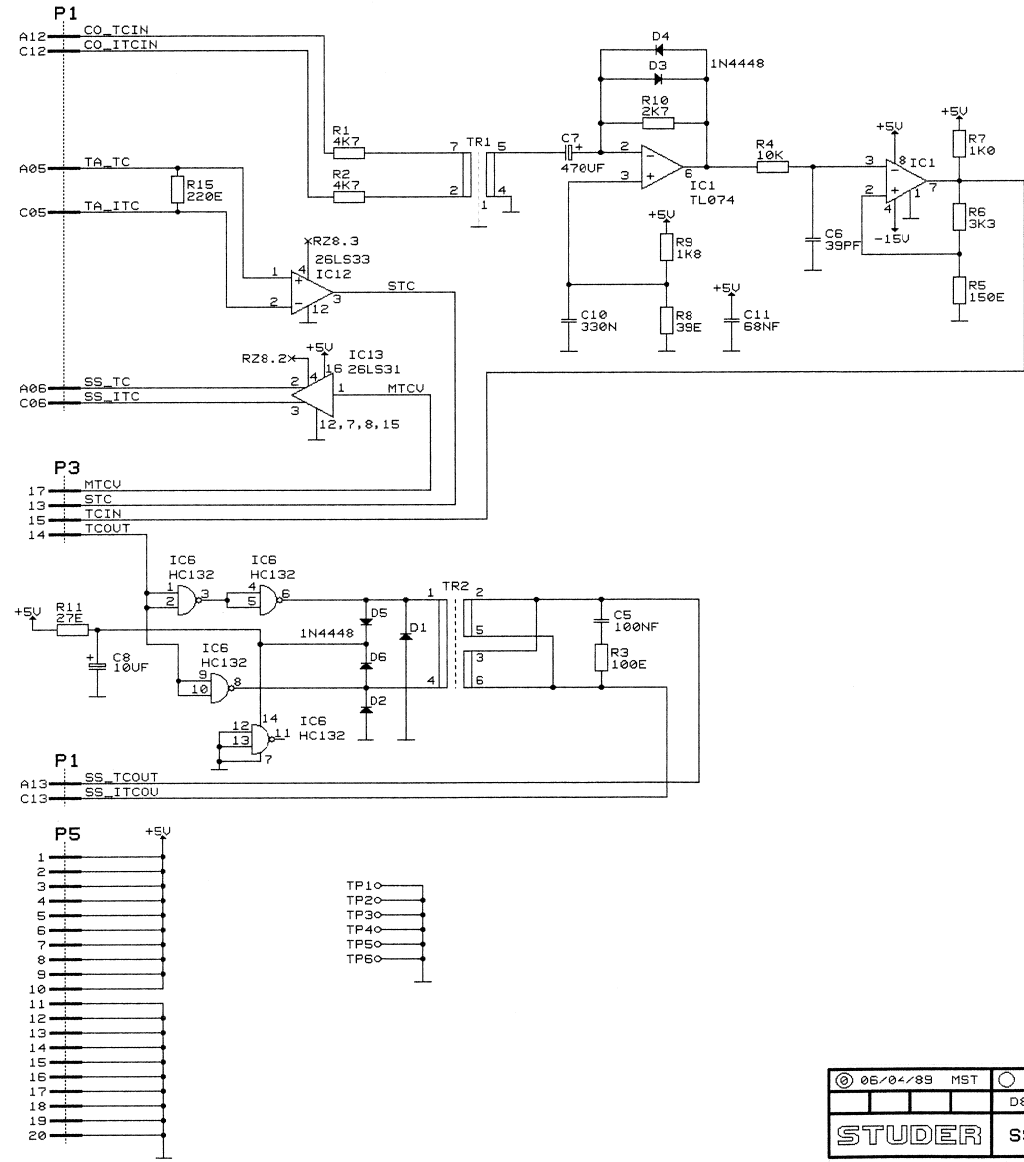


REFERENCE TRACK 1.862.657.26

Ad	..POS..	...REF.No...	DESCRIPTION.....	MANUFACTURER
R....17	57.11.3271	270	1%, 0207 , MF	ANY
R....19	57.11.3220	22	1%, 0207 , MF	ANY
R....20	57.11.3472	4.7 k	1%, 0207 , MF	ANY
R....21	57.11.3471	470	1% 0207 , MF	ANY
R....22	57.11.3102	1 k	1%, 0207 , MF	ANY
R....23	57.11.3820	82	1%, 0207 , MF	ANY
RZ...1	57.88.4332		8 * 3.3 k	ANY
RZ...2	57.88.4332		8 * 3.3 k	ANY
RZ...3	57.88.4332		8 * 3.3 k	ANY
RZ...4	57.88.4332		8 * 3.3 k	ANY
RZ...5	57.88.4332		8 * 3.3 k	ANY
RZ...6	57.88.4332		8 * 3.3 k	ANY
RZ...7	57.88.4332		8 * 3.3 k	ANY
RZ...8	57.88.4332		8 * 3.3 k	ANY
RZ...9	57.88.4332		8 * 3.3 k	ANY
RZ...10	57.88.4332		8 * 3.3 k	ANY
RZ...11	57.88.4332		8 * 3.3 k	ANY
RZ...12	57.88.4332		8 * 3.3 k	ANY
RZ...13	57.88.4332		8 * 3.3 k	ANY
RZ...14	57.88.4332		8 * 3.3 k	ANY
TP...1	54.02.0320		2.8 * 0.8 **** QTY11 ****	ANY
W....1	1.010.124.64	240MM	VON IC 49 PIN 12 NACH IC 58 PIN 5	ST
XF...1	53.03.0118		FUSE HOLDER	ANY
XIC..10	53.03.0165		DIL 20-PIN	ANY
XIC..11	53.03.0172		DIL 40-PIN	ANY
XIC..12	53.03.0165		DIL 20-PIN	ANY
XIC..13	53.03.0165		DIL 20-PIN	ANY
XIC..14	53.03.0165		DIL 20-PIN	ANY
XIC..15	53.03.0165		DIL 20-PIN	ANY
XIC..16	53.03.0172		DIL 40-PIN	ANY
XIC..17	53.03.0165		DIL 20-PIN	ANY
XIC..18	53.03.0165		DIL 20-PIN	ANY
XIC..19	53.03.0165		DIL 20-PIN	ANY
XIC..20	53.03.0165		DIL 20-PIN	ANY
XIC..21	53.03.0165		DIL 20-PIN	ANY
XIC..22	53.03.0165		DIL 20-PIN	ANY
XIC..23	53.03.0165		DIL 20-PIN	ANY
XIC..25	53.03.0165		DIL 20-PIN	ANY
XIC..27	53.03.0165		DIL 20-PIN	ANY
XIC..28	53.03.0165		DIL 20-PIN	ANY
XIC..29	53.03.0165		DIL 20-PIN	ANY
XIC..30	53.03.0165		DIL 20-PIN	ANY
XIC..31	53.03.0165		DIL 20-PIN	ANY
XIC..32	53.03.0165		DIL 20-PIN	ANY
XIC..33	53.03.0165		DIL 20-PIN	ANY
XIC..35	53.03.0172		DIL 40-PIN	ANY
XIC..36	53.03.0172		DIL 40-PIN	ANY
XIC..37	53.03.0165		DIL 20-PIN	ANY
XIC..38	53.03.0165		DIL 20-PIN	ANY
XIC..40	53.03.0165		DIL 20-PIN	ANY
XIC..48	53.03.0182		DIL 24-PIN	ANY
XIC..49	53.03.0165		DIL 20-PIN	ANY
XIC..50	53.03.0165		DIL 20-PIN	ANY
XIC..55	53.03.0165		DIL 20-PIN	ANY
XIC..58	53.03.0172		DIL 40-PIN	ANY
XIC..63	53.03.0165		DIL 20-PIN	ANY
XIC..67	53.03.0182		DIL 24-PIN	ANY
Y....1	89.01.1007	20.000	MHZ, HC 49/U	ANY
Y....2	89.01.1007	20.000	MHZ, HC 49/U	ANY
Y....3	89.01.1007	20.000	MHZ, HC 49/U	ANY
(01) 20.07.94 IC44 and 45 change from 74ACT74 to 74HC74				
REMARKS:				
MANUFACTURERS: ST = STUDER Ph = PHILIPS Pi = PHOTOCHEMIE				
ABBREVIATIONS: CER = CERAMIC / FILM = FILM TYPE / XF = CLAMP FOR FUSES / XIC = IC SOCKET				
1.862.657.26 RT-BOARD, ESE ML 94/07/2001				



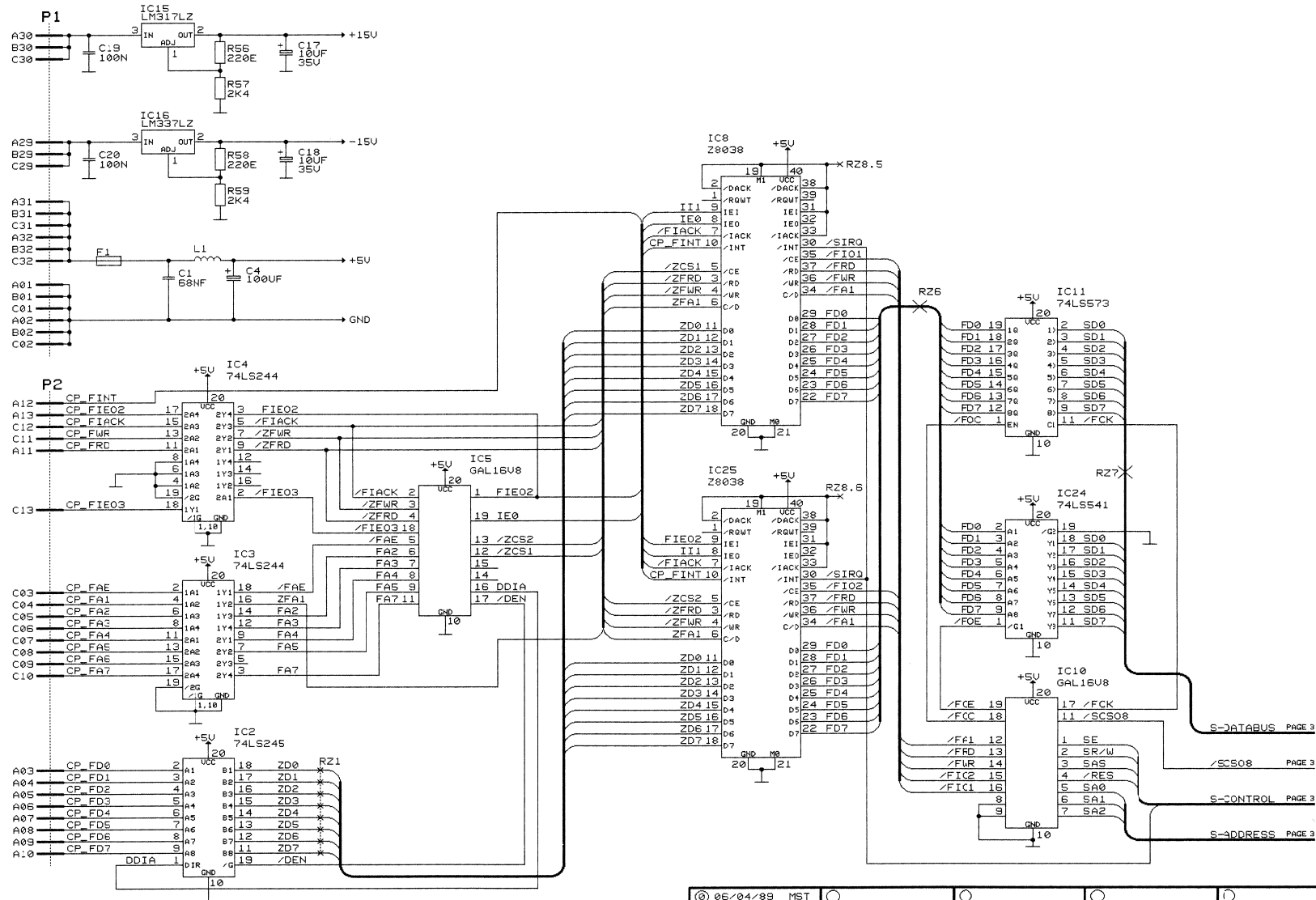
SSTC BOARD 1.862.659.24



© 06/04/89 MST			
	D820 MULTICHANNEL		PAGE 1 OF 9
<b>STUDER</b>	<b>SSTC BOARD</b>	<b>SC</b>	<b>1.862.659.24</b>



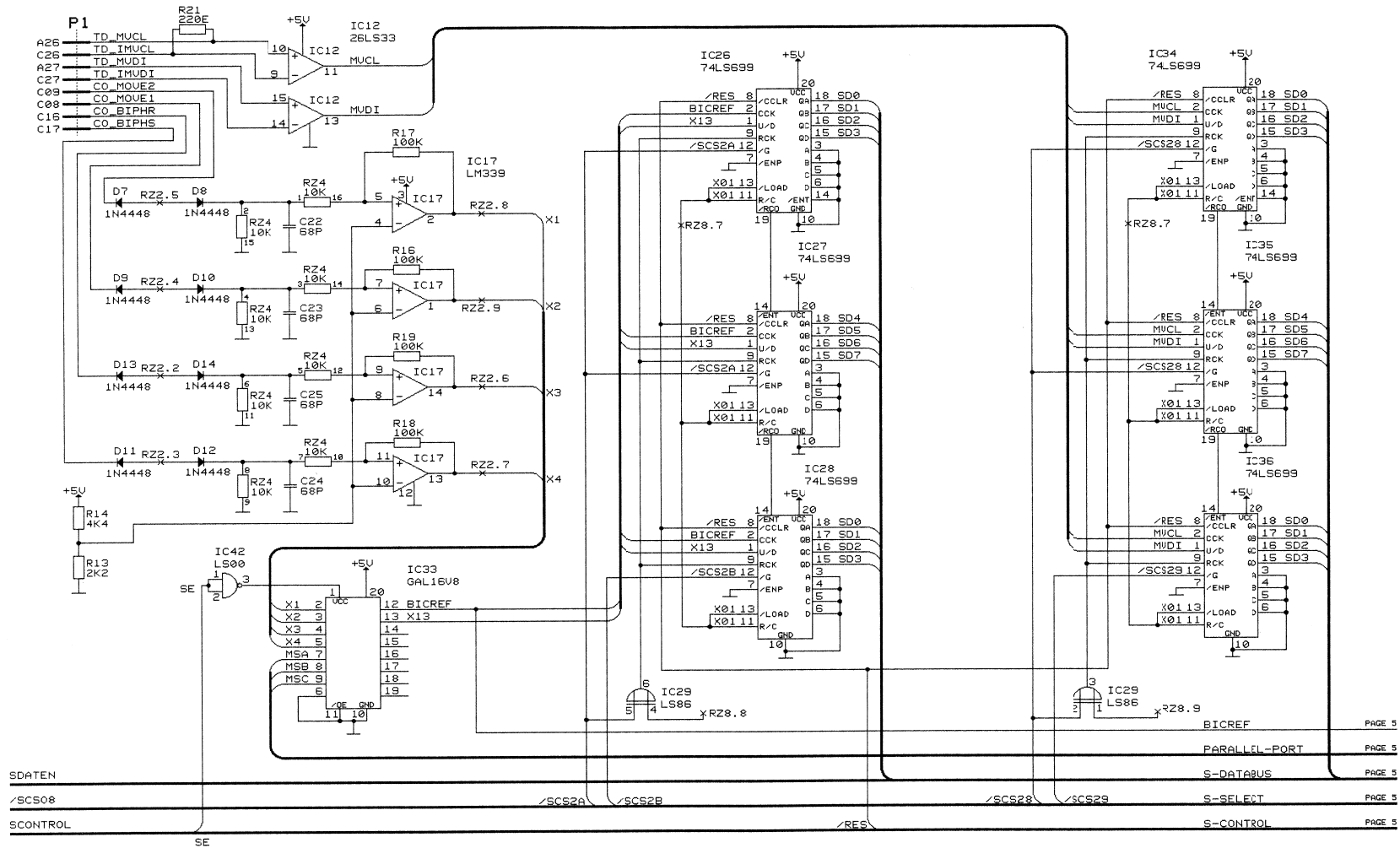
SSTC BOARD 1.862.659.24



© 06/04/89 MST	D820 MULTICHANNEL	PAGE 2 OF 3
<b>STUDER</b>	<b>SSTC BOARD</b>	<b>SC 1.862.659.24</b>

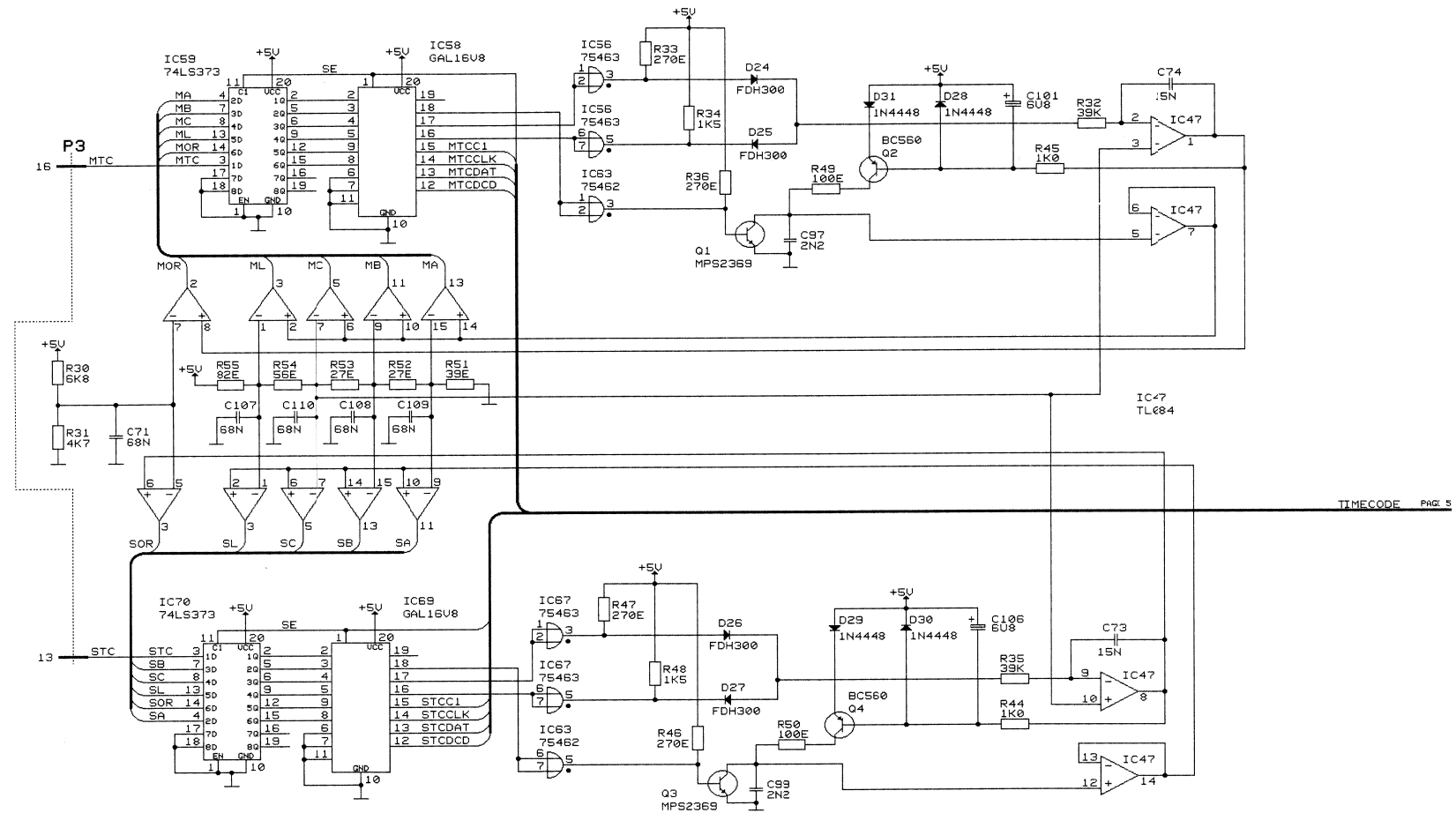


SSTC BOARD 1.862.659.24



© 06/04/89 MST			
D820 MULTICHANNEL		PAGE 3 OF 9	
STUDER SSTC BOARD		SC	1.862.659.24

SSTC BOARD 1.862.659.24

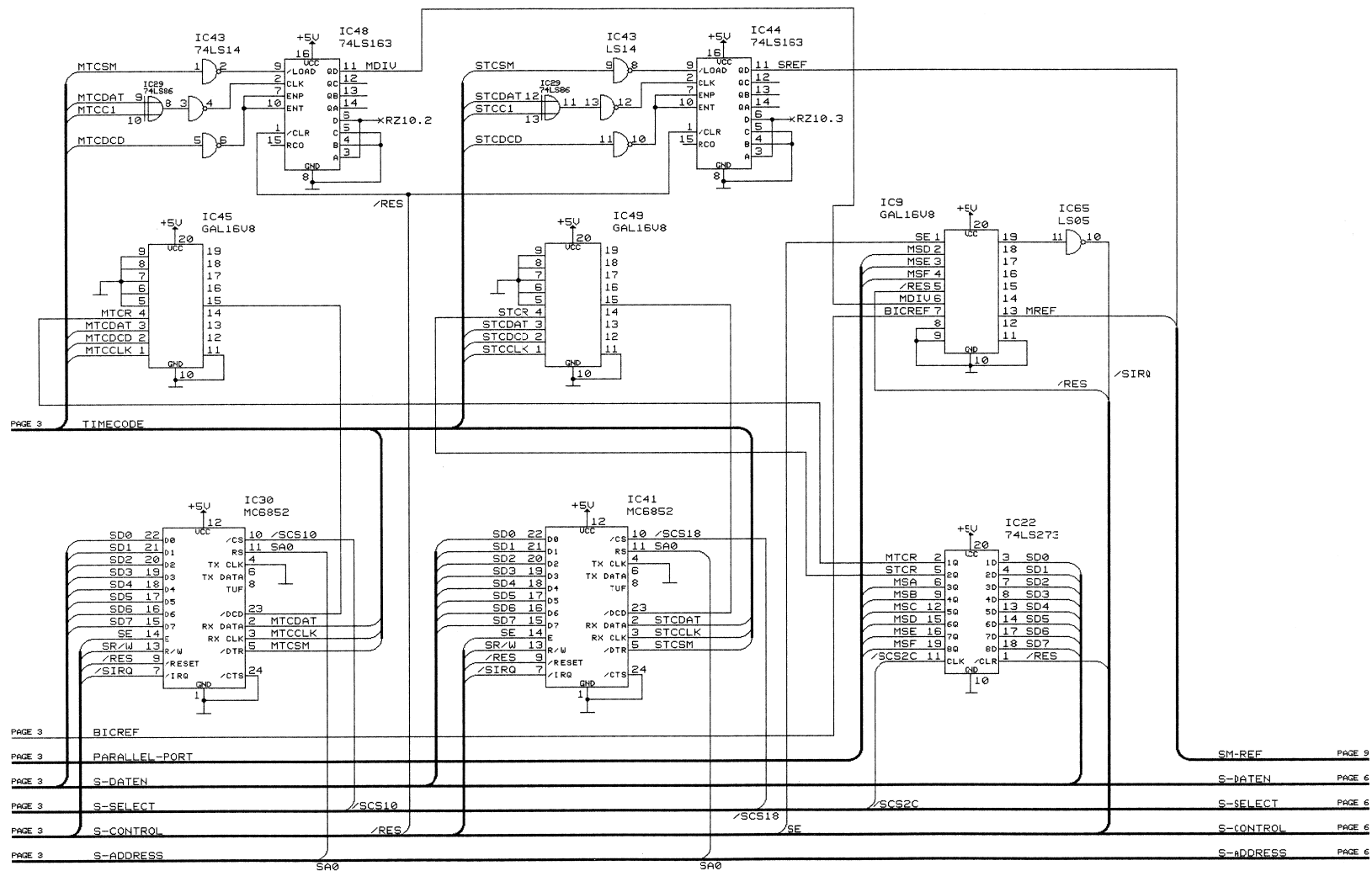


TIMECODE PAGE 5

© 06/04/89 MST			
	D820 MULTICHANNEL		PAGE 4 OF 3
<b>STUDER</b>	<b>SSTC BOARD</b>	SC	<b>1.862.659.24</b>



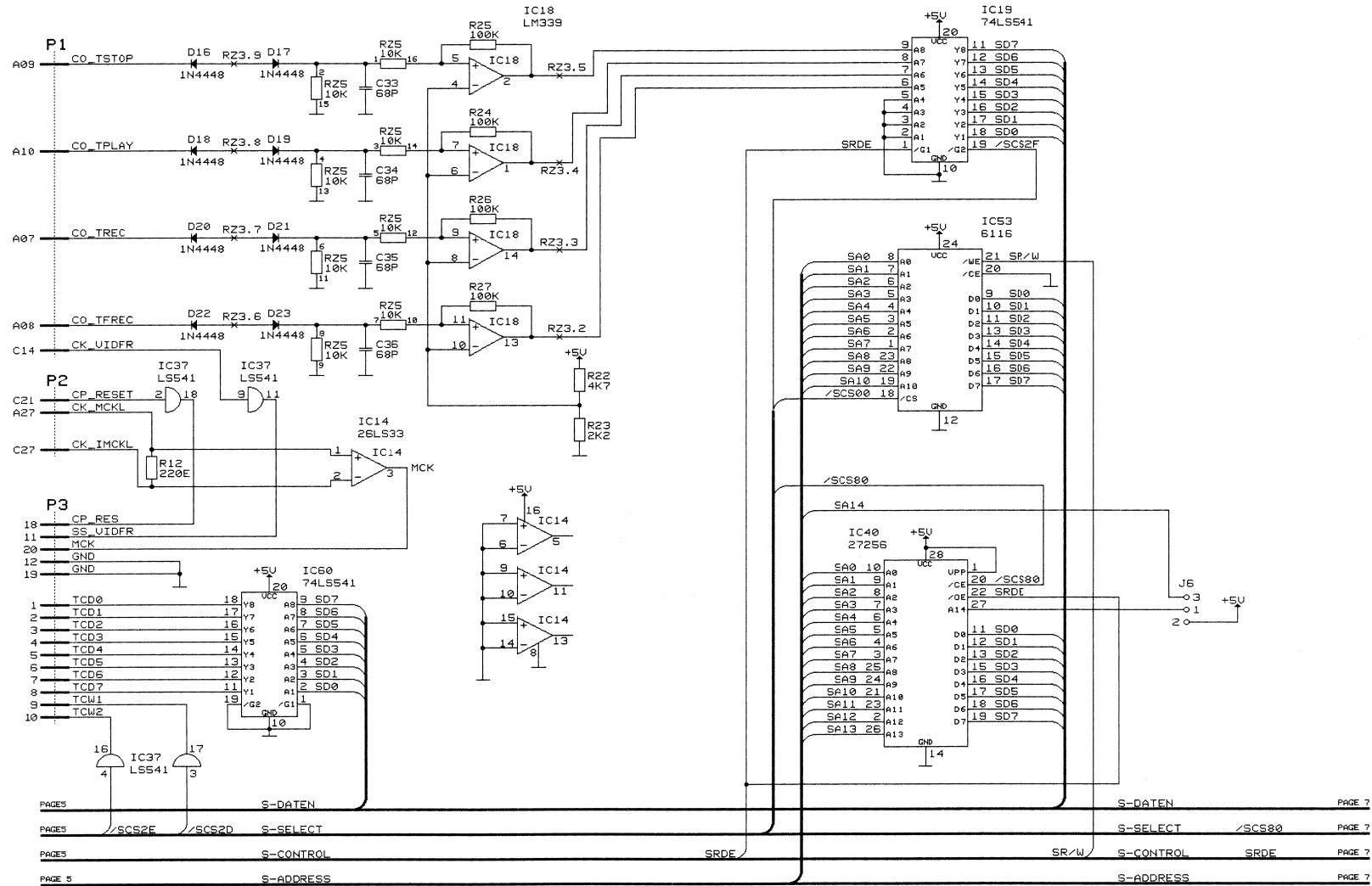
SSTC BOARD 1.862.659.24



© 06/04/89 MST				
D820 MULTICHANNEL			PAGE 5 OF 9	
<b>STUDER</b>	<b>SSTC BOARD</b>		SC	<b>1.862.659.24</b>



SSTC BOARD 1.862.659.24

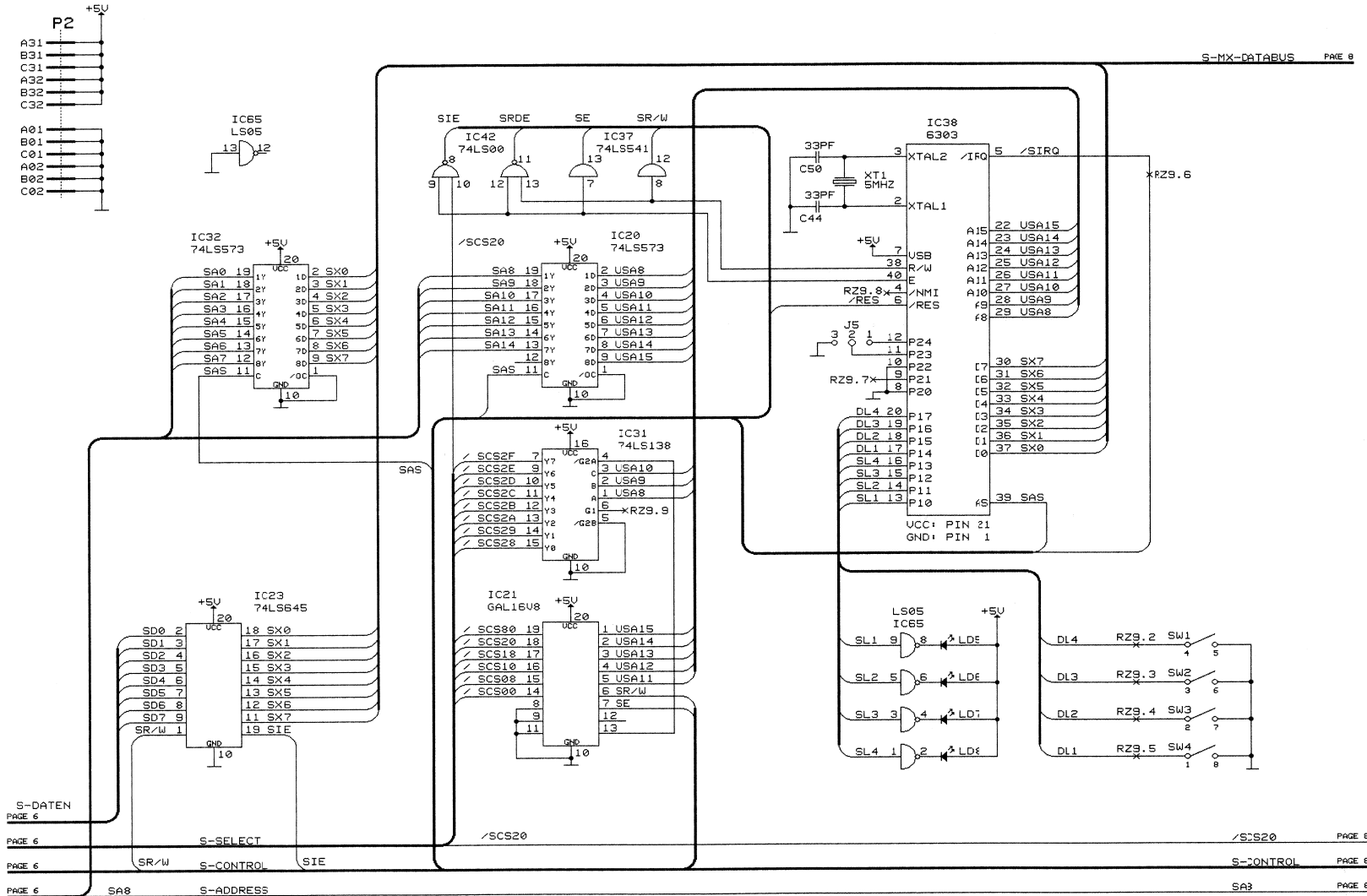


© 05/04/89 MST			
	D820 MULTICHANNEL		PAGE 6 OF 9
<b>STUDER</b>	<b>SSTC BOARD</b>	<b>SC</b>	<b>1.862.659.24</b>



SSTC BOARD 1.862.659.24

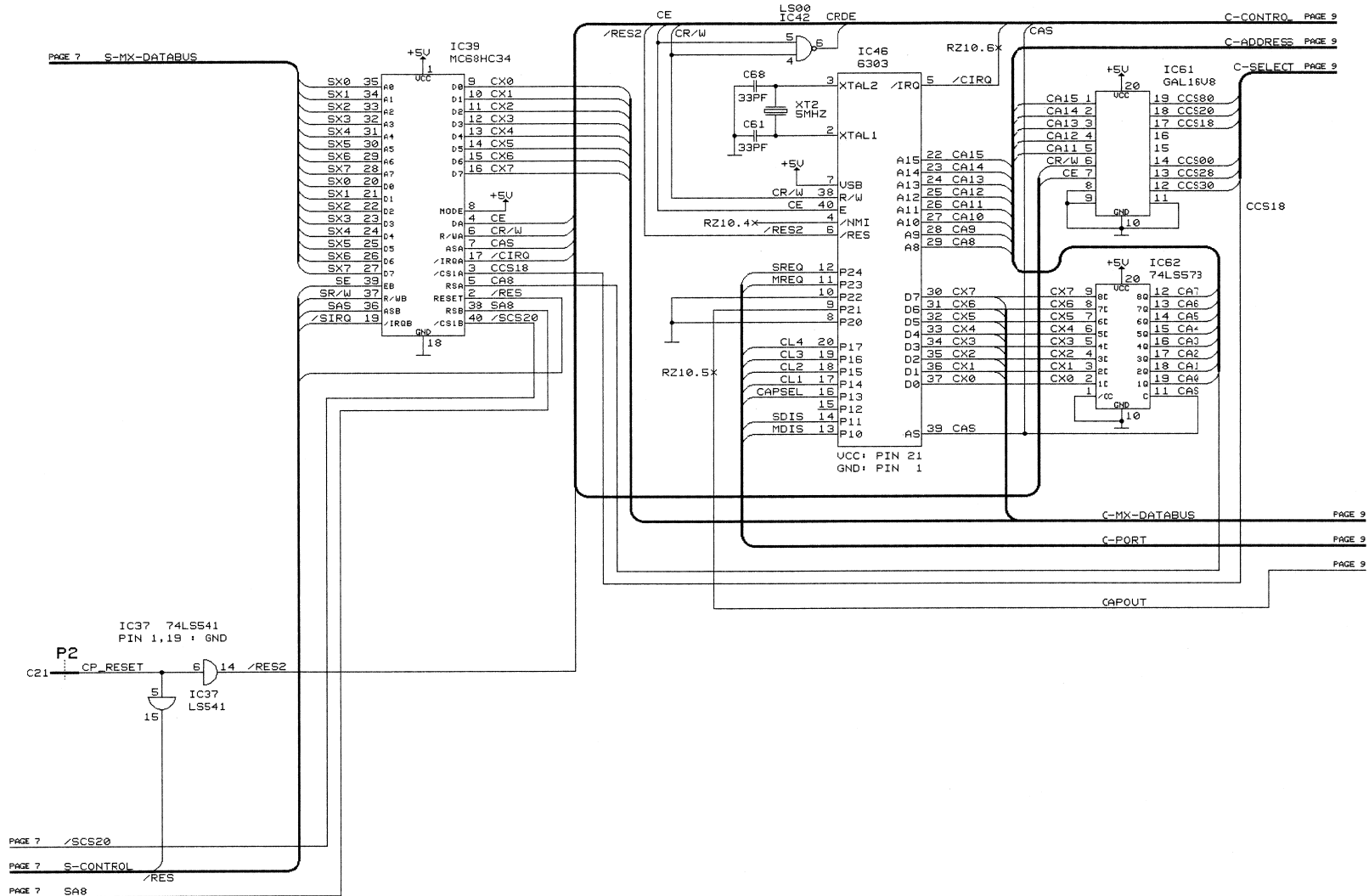
S-MX-DATABUS PAGE 8



S-DATEN PAGE 6  
 PAGE 6 S-SELECT PAGE 8 /SCS20 PAGE 8  
 PAGE 6 SR/W S-CONTROL SIE PAGE 8 S-CONTROL PAGE 8  
 PAGE 6 SA8 S-ADDRESS SA3 PAGE 8

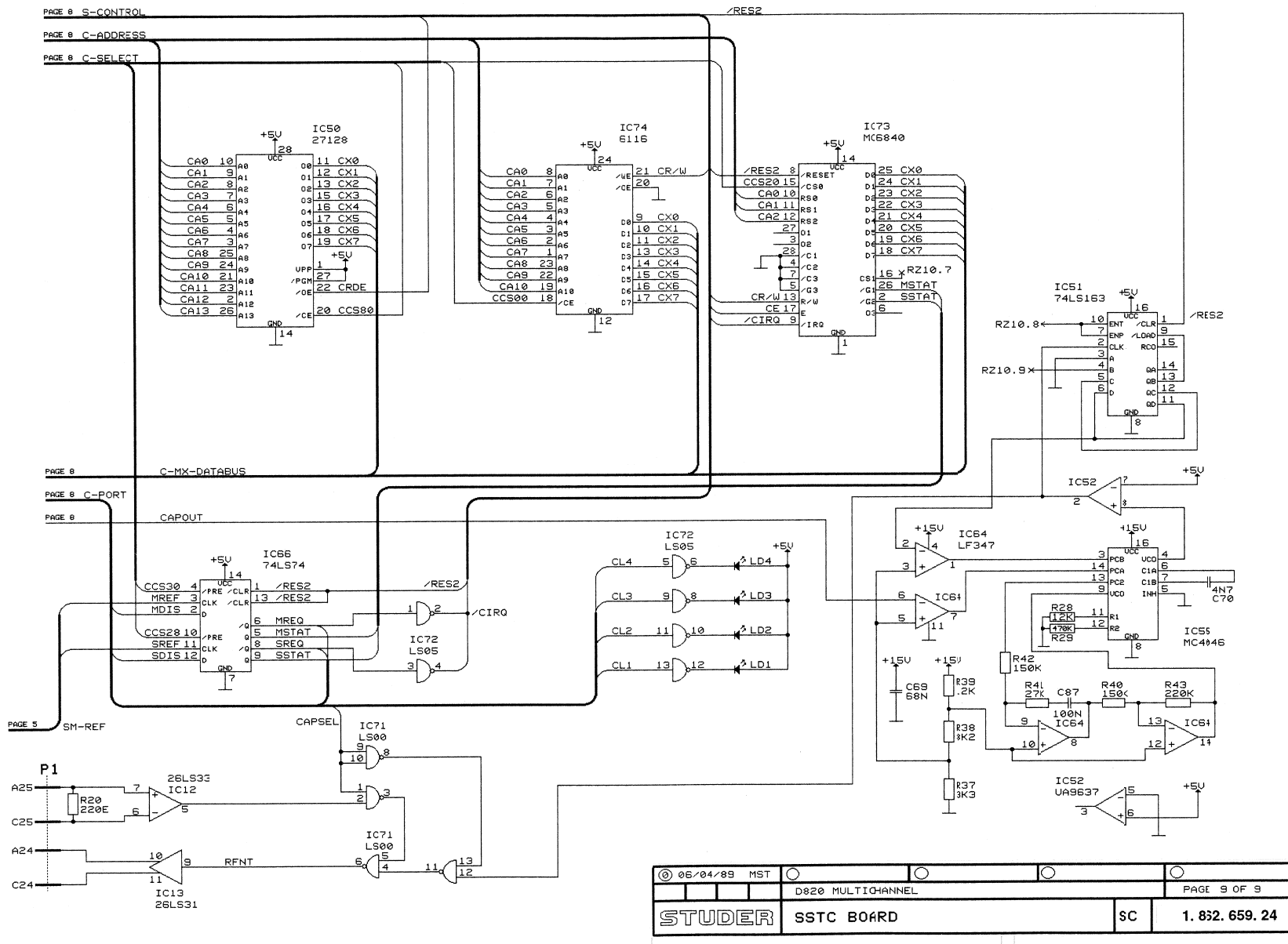
© 06/04/89 MST				
D820 MULTICHANNEL			PAGE 7 OF 9	
STUDER		SSTC BOARD		SC 1.862.659.24

SSTC BOARD 1.862.659.24



© 05/04/89 MST				
D820 MULTICHANNEL				PAGE 8 OF 3
STUDER		SSTC BOARD		SC 1.862.659.24

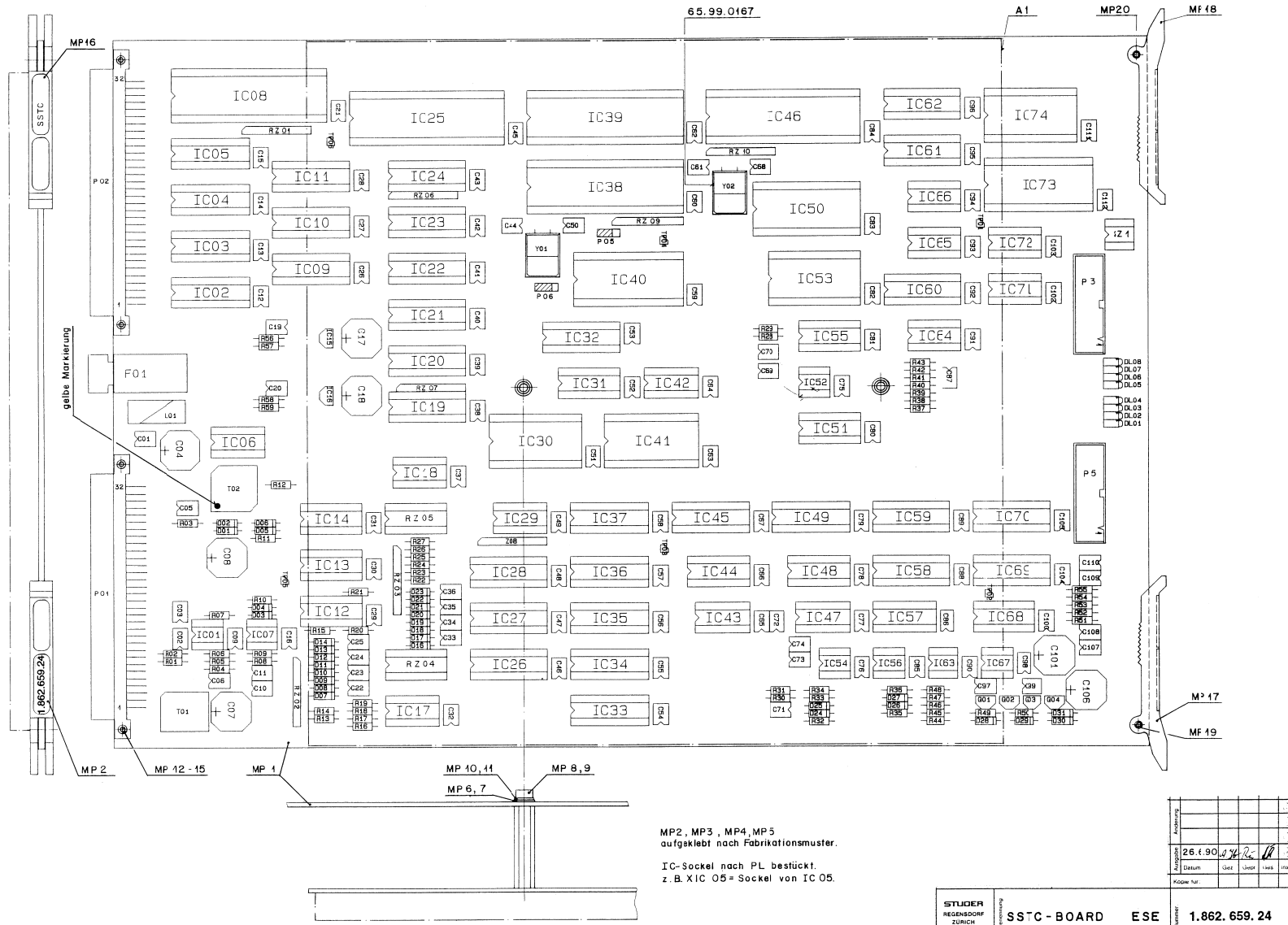
SSTC BOARD 1.862.659.24



© 06/04/89	MST				
D820 MULTICHANNEL			PAGE 9 OF 9		
<b>STUDER</b>		<b>SSTC BOARD</b>		SC	1.862.659.24



SSTC BOARD 1.862.659.24



MP2, MP3, MP4, MP5  
aufgeklebt nach Fabrikationsmuster.

IC-Sockel nach PL bestückt.  
z.B. XIC 05 = Sockel von IC 05.

STUJER REGENSDORF ZÜRICH	SSTC-BOARD	ESE	1.862.659.24	Prüfung				
				Abgabedatum	26.1.90	UW	UW	UW
				Code Nr.				





SSTC BOARD 1.862.659.24

Ad	.POS.	REF.No.	DESCRIPTION	MANUFACTURER
IC...	39	50.14.1701	MC 68HC34 P Dual Port RAM	ANY
IC...	40	50.14.0125	EPROM 27128 (SW 1.862.967.23)	ANY
IC...	41	50.16.0114	MC 68A52 P SSSA	ANY
IC...	42	50.06.0000	74 LS 00 N	ANY
IC...	43	50.06.0014	74 LS 14 N	ANY
IC...	44	50.06.0163	74 LS 163 N	ANY
IC...	45	50.18.0100	GAL 16V8-25LP (SW 1.862.965.20)	ANY
IC...	46	50.16.0107	MC 6803-1 8BIT MCU	ANY
IC...	47	50.09.0104	LF 347 N	ANY
IC...	48	50.06.0163	74 LS 163 N	ANY
IC...	49	50.18.0100	GAL 16V8-25LP (SW 1.862.965.20)	ANY
IC...	50	50.14.0125	EPROM 27128 (SW 1.862.968.22)	ANY
IC...	51	50.06.0163	74 LS 163 N	ANY
IC...	52	50.15.0114	uA 9637 ACP	ANY
IC...	53	50.14.0107	HM 6116-LP4 SRAM, 2K * 8, 200 NSEC	ANY
IC...	54	50.15.0114	uA 9637 ACP	ANY
IC...	55	50.07.0046	MC 14046 BCP	ANY
IC...	56	50.05.0203	75463 P	ANY
IC...	57	50.15.0104	MC 3486 P	ANY
IC...	58	50.18.0100	GAL 16V8-25LP (SW 1.862.964.20)	ANY
IC...	59	50.06.0373	74 LS 373 N	ANY
IC...	60	50.06.0541	74 LS 541 N	ANY
IC...	61	50.18.0100	GAL 16V8-25LP (SW 1.862.961.20)	ANY
IC...	62	50.06.1573	74 ALS 573 N	ANY
IC...	63	50.05.0227	75462 P	ANY
IC...	64	50.09.0104	LF 347 N	ANY
IC...	65	50.06.0005	74 LS 05 N	ANY
IC...	66	50.06.0074	74 LS 74 AN	ANY
IC...	67	50.05.0203	75463 P	ANY
IC...	68	50.15.0104	MC 3486 P	ANY
IC...	69	50.18.0100	GAL 16V8-25LP (SW 1.862.964.20)	ANY
IC...	70	50.06.0373	74 LS 373 N	ANY
IC...	71	50.06.0000	74 LS 00 N	ANY
IC...	72	50.06.0005	74 LS 05 N	ANY
IC...	73	50.16.0113	MC 68A40 P Timer	ANY
IC...	74	50.14.0107	HM 6116-LP4 SRAM, 2K * 8, 200 nSEC	ANY
J.....	54.01.0020		STIFTLIESTE ** QTY 3 *****	ANY
J.....	54.01.0020		STIFTLIESTE ** QTY 3 *****	ANY
JP.....	54.01.0021		JUMPER	ANY
JP.....	54.01.0021		JUMPER	ANY
L.....	62.03.0040	100 uH	5 A, FILTER	ANY
MP....	1.862.659.11		SSTC-PCB	ANY
MP....	1.862.659.01		NR-ETIKETTE	ANY
MP....	1.010.130.51		TEXT-ETIK. 5*20 (F7.00A)	ST
MP....	1.101.001.20		TEXT-ETIK. 5*20 HARDWARE -00A	St
MP....	43.01.0108		ESE-WARNSCHILD	ANY
MP....	23.01.1032		U-SCHIEBE D 3,2 / 6 *0,5	ANY
MP....	23.01.1032		U-SCHIEBE D 3,2 / 6 *0,5	ANY
MP....	21.51.8355		LIN-SCHR. IS , NI , M 3 * 8	ANY
MP....	21.51.8355		LIN-SCHR. IS , NI , M 3 * 8	ANY
MP....	24.16.1030		RIPPENSCHIEBE A, D 3,2	ANY
MP....	24.16.1030		RIPPENSCHIEBE A, D 3,2	ANY
MP....	28.99.0119		RIVETING NUT, D 2,5 * 0,15 * 10	ANY
MP....	28.99.0119		RIVETING NUT, D 2,5 * 0,15 * 10	ANY
MP....	28.99.0119		RIVETING NUT, D 2,5 * 0,15 * 10	ANY
MP....	28.99.0119		RIVETING NUT, D 2,5 * 0,15 * 10	ANY
MP....	28.99.0119		RIVETING NUT, D 2,5 * 0,15 * 10	ANY
MP....	1.862.659.02		LABEL "SSTC"	ST
MP....	1.862.650.05		AUSWERFERHEBEL	ST
MP....	1.862.650.05		AUSWERFERHEBEL	ST
MP....	1.862.650.05		AUSWERFERSTIFT	ST
MP....	1.862.650.05		AUSWERFERSTIFT	ST
P.....	54.01.0358		Euro Card connector 3*32	ANY
P.....	54.01.0358		Euro Card connector 3*32	ANY
P.....	54.14.2008		PCB connector 20 p.	ANY
P.....	54.14.2008		PCB connector 20 p.	ANY
Q.....	50.03.0508		MPS 2369	ANY
Q.....	50.03.0496		BC 560	ANY
Q.....	50.03.0508		MPS 2369	ANY
Q.....	50.03.0496		BC 560	ANY
R.....	57.11.3472	4.7 k	1%, 0207, MF	ANY
R.....	57.11.3472	4.7 k	1%, 0207, MF	ANY
R.....	57.11.3101	100	1%, 0207, MF	ANY
R.....	57.11.3103	10 k	1%, 0207, MF	ANY
R.....	57.11.3151	150	1%, 0207, MF	ANY
R.....	57.11.3332	3.3 k	1%, 0207, MF	ANY
R.....	57.11.3102	1 k	1%, 0207, MF	ANY
R.....	57.11.3390	39	1%, 0207, MF	ANY
R.....	57.11.3182	1.8 k	1%, 0207, MF	ANY
R.....	57.11.3272	2.7 k	1%, 0207, MF	ANY
R.....	57.11.3270	27	1%, 0207, MF	ANY
R.....	57.11.3221	220	1%, 0207, MF	ANY
R.....	57.11.3222	2.2 k	1%, 0207, MF	ANY
R.....	57.11.3472	4.7 k	1%, 0207, MF	ANY
R.....	57.11.3221	220	1%, 0207, MF	ANY
R.....	57.11.3104	100 k	1%, 0207, MF	ANY
R.....	57.11.3104	100 k	1%, 0207, MF	ANY
R.....	57.11.3104	100 k	1%, 0207, MF	ANY
R.....	57.11.3104	100 k	1%, 0207, MF	ANY
R.....	57.11.3221	220	1%, 0207, MF	ANY
R.....	57.11.3221	220	1%, 0207, MF	ANY
R.....	57.11.3472	4.7 k	1%, 0207, MF	ANY
R.....	57.11.3222	2.2 k	1%, 0207, MF	ANY
R....	24	57.11.3104	100 k 1%, 0207, MF	ANY
R....	25	57.11.3104	100 k 1%, 0207, MF	ANY
R....	26	57.11.3104	100 k 1%, 0207, MF	ANY
R....	27	57.11.3104	100 k 1%, 0207, MF	ANY
R....	28	57.11.3123	12 k 1%, 0207, MF	ANY
R....	29	57.11.3474	470 k 1%, 0207, MF	ANY
R....	30	57.11.3682	6.8 k 1%, 0207, MF	ANY
R....	31	57.11.3472	4.7 k 1%, 0207, MF	ANY
R....	32	57.11.3393	39 k 1%, 0207, MF	ANY
R....	33	57.11.3271	270 1%, 0207, MF	ANY
R....	34	57.11.3152	1.5 k 1%, 0207, MF	ANY
R....	35	57.11.3393	39 k 1%, 0207, MF	ANY
R....	36	57.11.3271	270 1%, 0207, MF	ANY
R....	37	57.11.3332	3.3 k 1%, 0207, MF	ANY
R....	38	57.11.3822	8.2 k 1%, 0207, MF	ANY
R....	39	57.11.3123	12 k 1%, 0207, MF	ANY
R....	40	57.11.3154	150 k 1%, 0207, MF	ANY
R....	41	57.11.3273	27 k 1%, 0207, MF	ANY
R....	42	57.11.3154	150 k 1%, 0207, MF	ANY
R....	43	57.11.3224	220 k 1%, 0207, MF	ANY
R....	44	57.11.3102	1 k 1%, 0207, MF	ANY
R....	45	57.11.3102	1 k 1%, 0207, MF	ANY
R....	46	57.11.3271	270 1%, 0207, MF	ANY
R....	47	57.11.3271	270 1%, 0207, MF	ANY
R....	48	57.11.3152	1.5 k 1%, 0207, MF	ANY
R....	49	57.11.3101	100 1%, 0207, MF	ANY
R....	50	57.11.3101	100 1%, 0207, MF	ANY
R....	51	57.11.3390	39 1%, 0207, MF	ANY
R....	52	57.11.3270	27 1%, 0207, MF	ANY
R....	53	57.11.3270	27 1%, 0207, MF	ANY
R....	54	57.11.3560	56 1%, 0207, MF	ANY
R....	55	57.11.3820	82 1%, 0207, MF	ANY
R....	56	57.11.3221	220 1%, 0207, MF	ANY
R....	57	57.11.3242	2.4 k 1%, 0207, MF	ANY
R....	58	57.11.3221	220 1%, 0207, MF	ANY
R....	59	57.11.3242	2.4 k 1%, 0207, MF	ANY
RZ....	1	57.88.4332	8*3.3k 2%, 0.25W SIP	ANY
RZ....	2	57.88.4332	8*3.3k 2%, 0.25W SIP	ANY
RZ....	3	57.88.4332	8*3.3k 2%, 0.25W SIP	ANY
RZ....	4	57.88.3103	8* 10k 2%, 0.25W DIP	ANY
RZ....	5	57.88.3103	8* 10k 2%, 0.25W DIP	ANY
RZ....	6	57.88.4332	8*3.3k 2%, 0.25W SIP	ANY
RZ....	7	57.88.4332	8*3.3k 2%, 0.25W SIP	ANY
RZ....	8	57.88.4332	8*3.3k 2%, 0.25W SIP	ANY
RZ....	9	57.88.4332	8*3.3k 2%, 0.25W SIP	ANY
RZ....	10	57.88.4332	8*3.3k 2%, 0.25W SIP	ANY
SZ....	1	55.01.0164	4 * A DIL Switch	ANY
T.....	1.022.409.00		Trafo	St
T.....	1.022.215.00		TIME CODE OUTPUT TRANSFORMER	St
TP....	54.02.0320		SOLDERING PIN	ANY
TP....	54.02.0320		SOLDERING PIN	ANY
TP....	54.02.0320		SOLDERING PIN	ANY
TP....	54.02.0320		SOLDERING PIN	ANY
TP....	54.02.0320		SOLDERING PIN	ANY
TP....	54.02.0320		SOLDERING PIN	ANY
XIC...5	53.03.0165		DIL 20-POL, LOET	ANY
XIC...8	53.03.0172		DIL 40-POL, LOET	ANY
XIC...9	53.03.0165		DIL 20-POL, LOET	ANY
XIC...10	53.03.0165		DIL 20-POL, LOET	ANY
XIC..21	53.03.0165		DIL 20-POL, LOET	ANY
XIC..25	53.03.0172		DIL 40-POL, LOET	ANY
XIC..30	53.03.0169		DIL 24-POL, LOET	ANY
XIC..33	53.03.0165		DIL 20-POL, LOET	ANY
XIC..38	53.03.0172		DIL 40-POL, LOET	ANY
XIC..39	53.03.0172		DIL 40-POL, LOET	ANY
XIC..40	53.03.0173		DIL 28-POL, LOET	ANY
XIC..41	53.03.0169		DIL 24-POL, LOET	ANY
XIC..45	53.03.0165		DIL 20-POL, LOET	ANY
XIC..46	53.03.0172		DIL 40-POL, LOET	ANY
XIC..49	53.03.0165		DIL 20-POL, LOET	ANY
XIC..50	53.03.0173		DIL 28-POL, LOET	ANY
XIC..53	53.03.0169		DIL 24-POL, LOET	ANY
XIC..58	53.03.0165		DIL 20-POL, LOET	ANY
XIC..61	53.03.0165		DIL 20-POL, LOET	ANY
XIC..69	53.03.0165		DIL 20-POL, LOET	ANY
XIC..73	53.03.0173		DIL 28-POL, LOET	ANY
XIC..74	53.03.0169		DIL 24-POL, LOET	ANY
Y.....1	89.01.0560		4.9152 Mhz par. resonance, Rs < 100 ohm	ANY
Y.....2	89.01.0560		4.9152 Mhz par. resonance, Rs < 100 ohm	ANY

REMARKS:

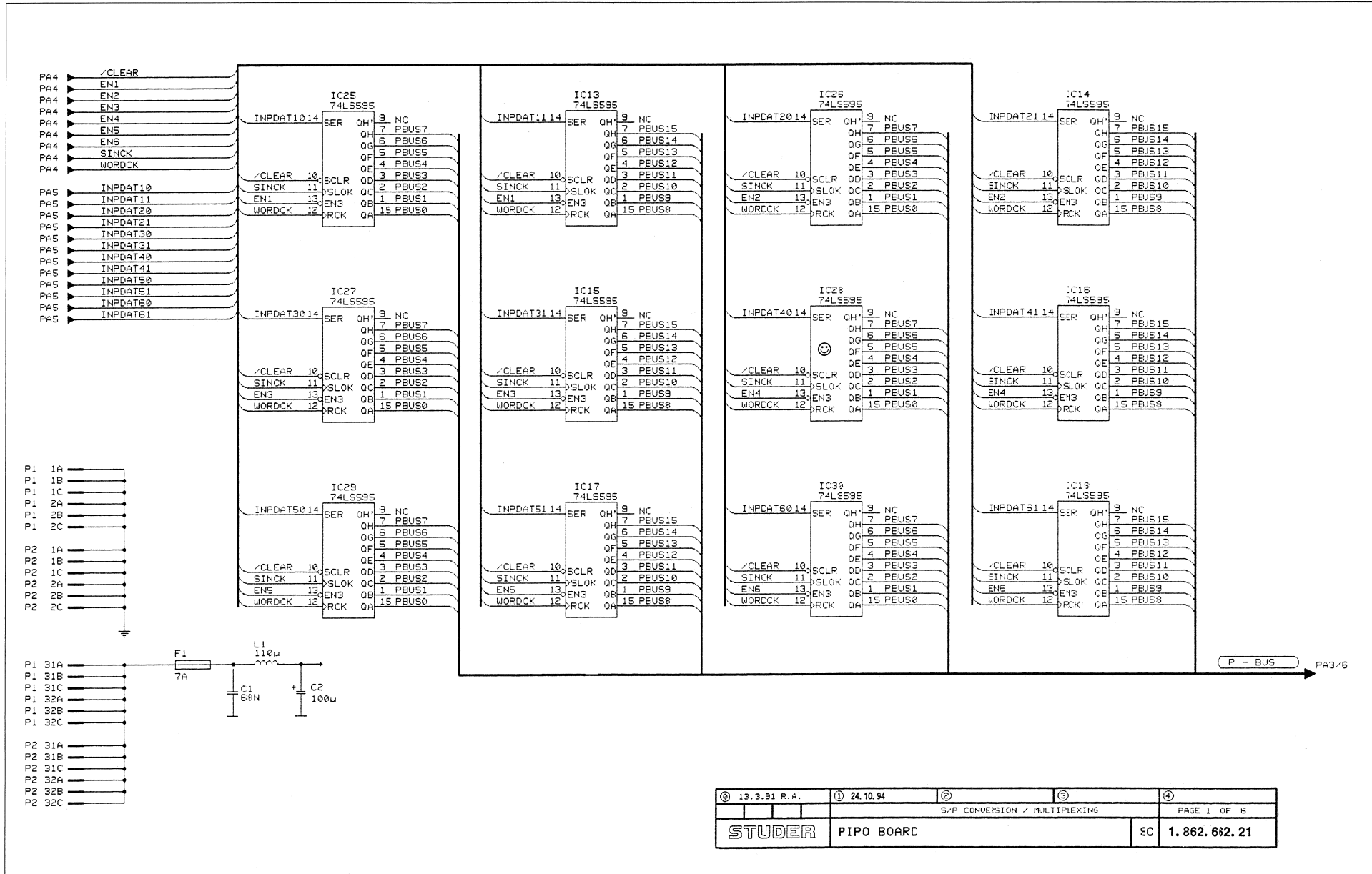
MANUFACTURERS : Dj = Dialco, Fc = Fairchild, Hi = Hitachi, Lat = Lattice  
 MOT = MOTOROLA, NS = NATIONAL SEMICONDUCTORS  
 St = Studer, Zi = Zilog

1.862.659.24 SSTC BOARD, ESE LAR93/07/1900

END

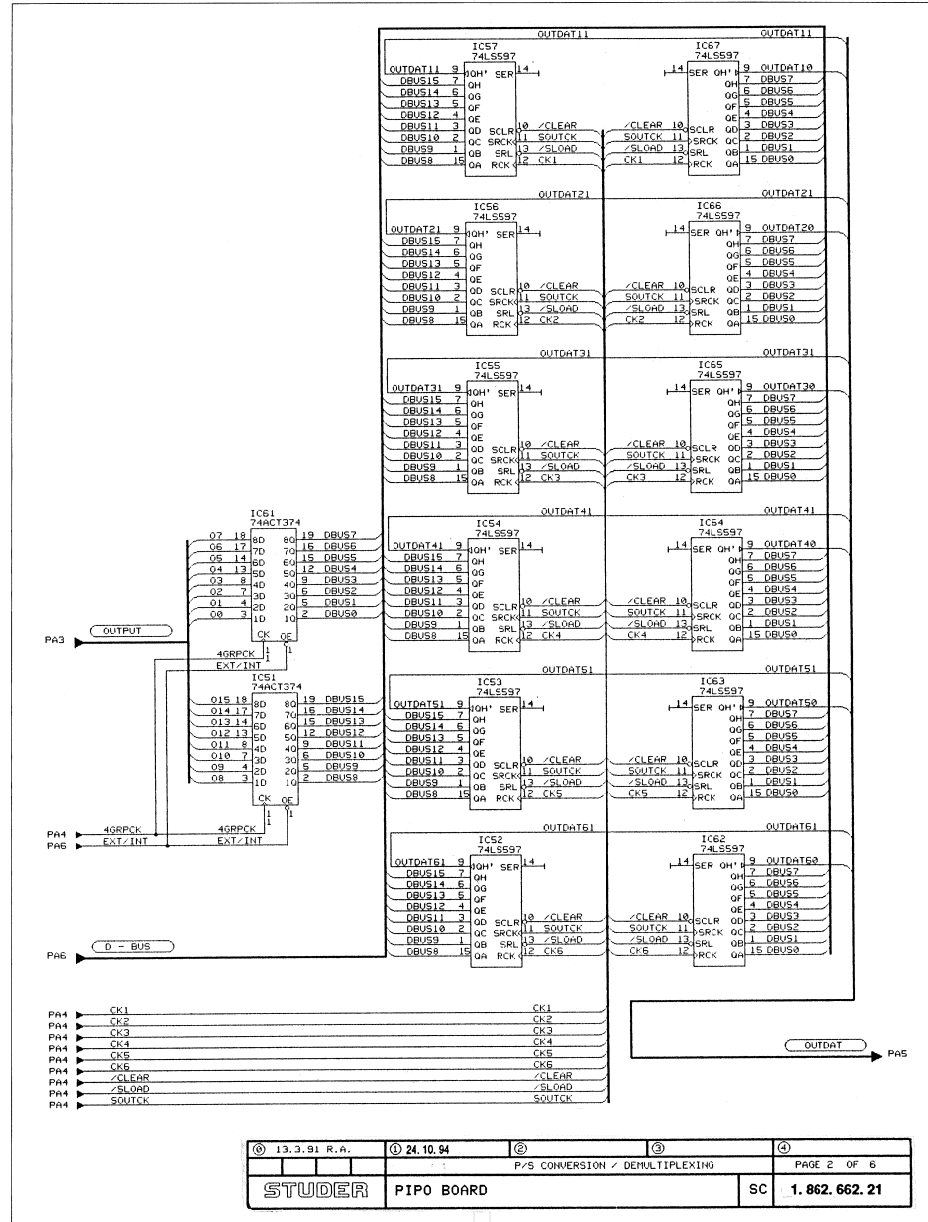


PING PONG BOARD 1.862.662.21  
- S/P Conversion / Multiplexing

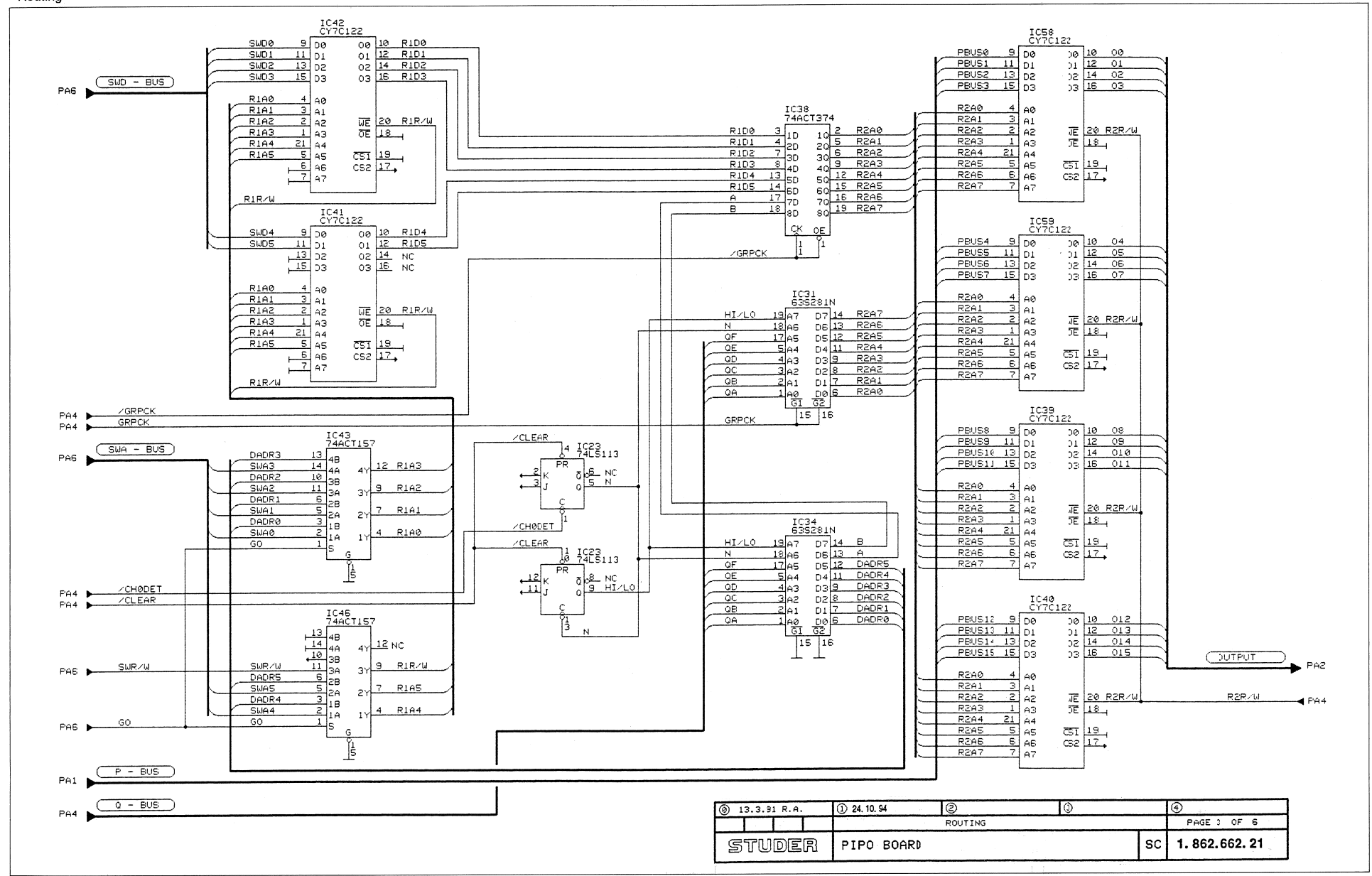


① 13.3.91 R.A.	② 24.10.94	③	④
S/P CONVERSION / MULTIPLEXING			PAGE 1 OF 5
STUDER	PIPO BOARD	SC	1.862.662.21

**PING PONG BOARD 1.862.662.21**  
- P/S Conversion / Demultiplexing

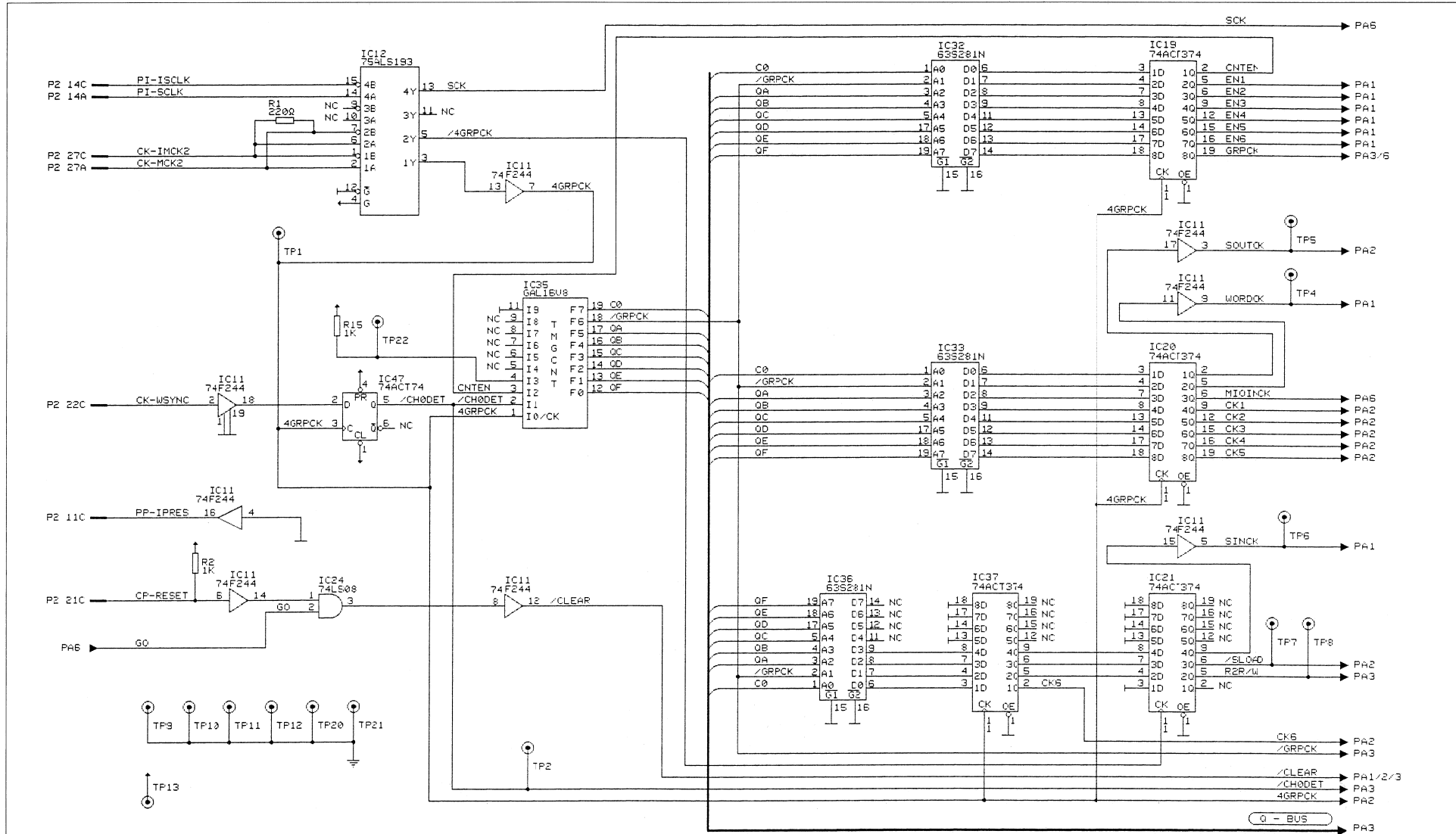


PING PONG BOARD 1.862.662.21  
- Routing



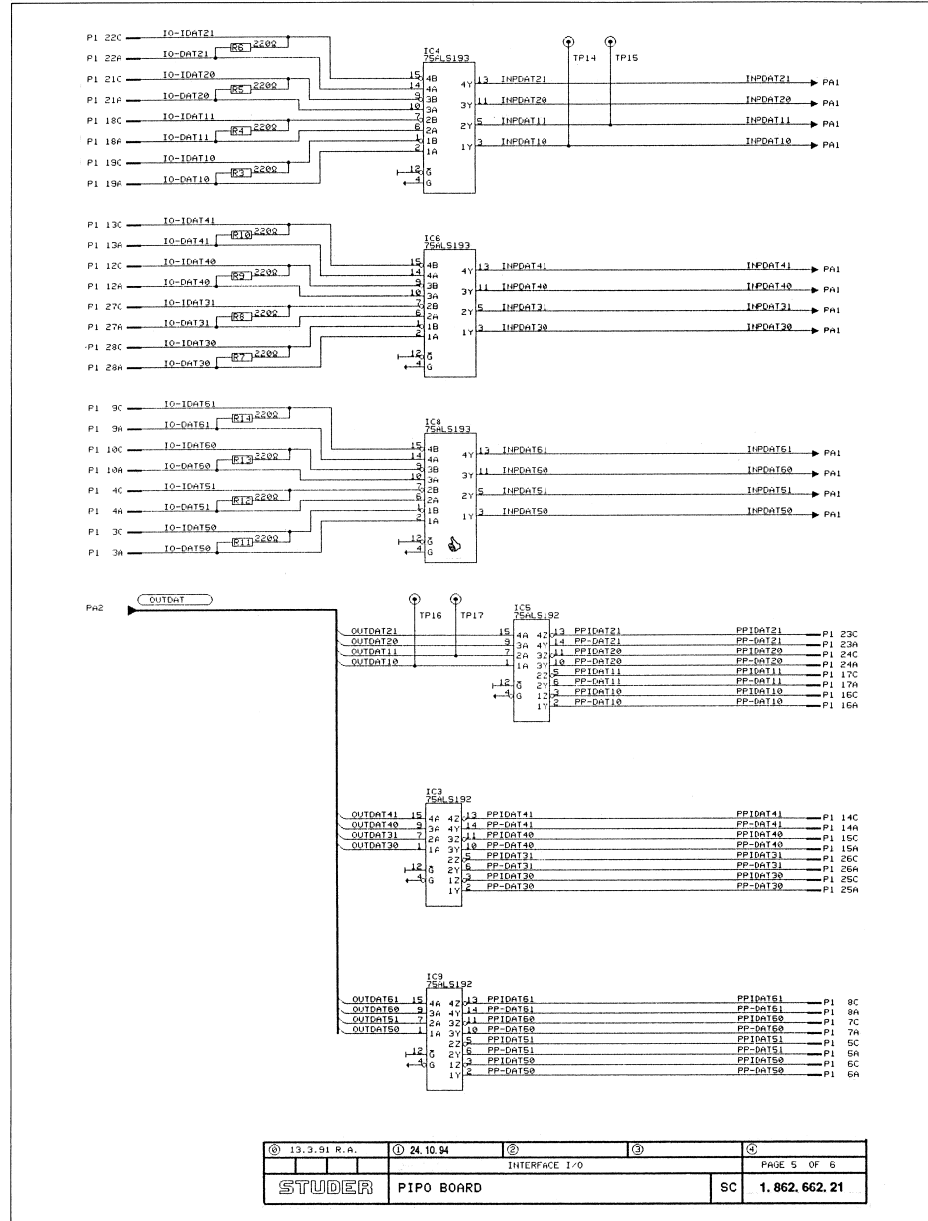
① 13.3.91 R.A.	② 24.10.94	③ ROUTING	④
STUDER PIPO BOARD		SC	1.862.662.21

PING PONG BOARD 1.862.662.21  
- Timing



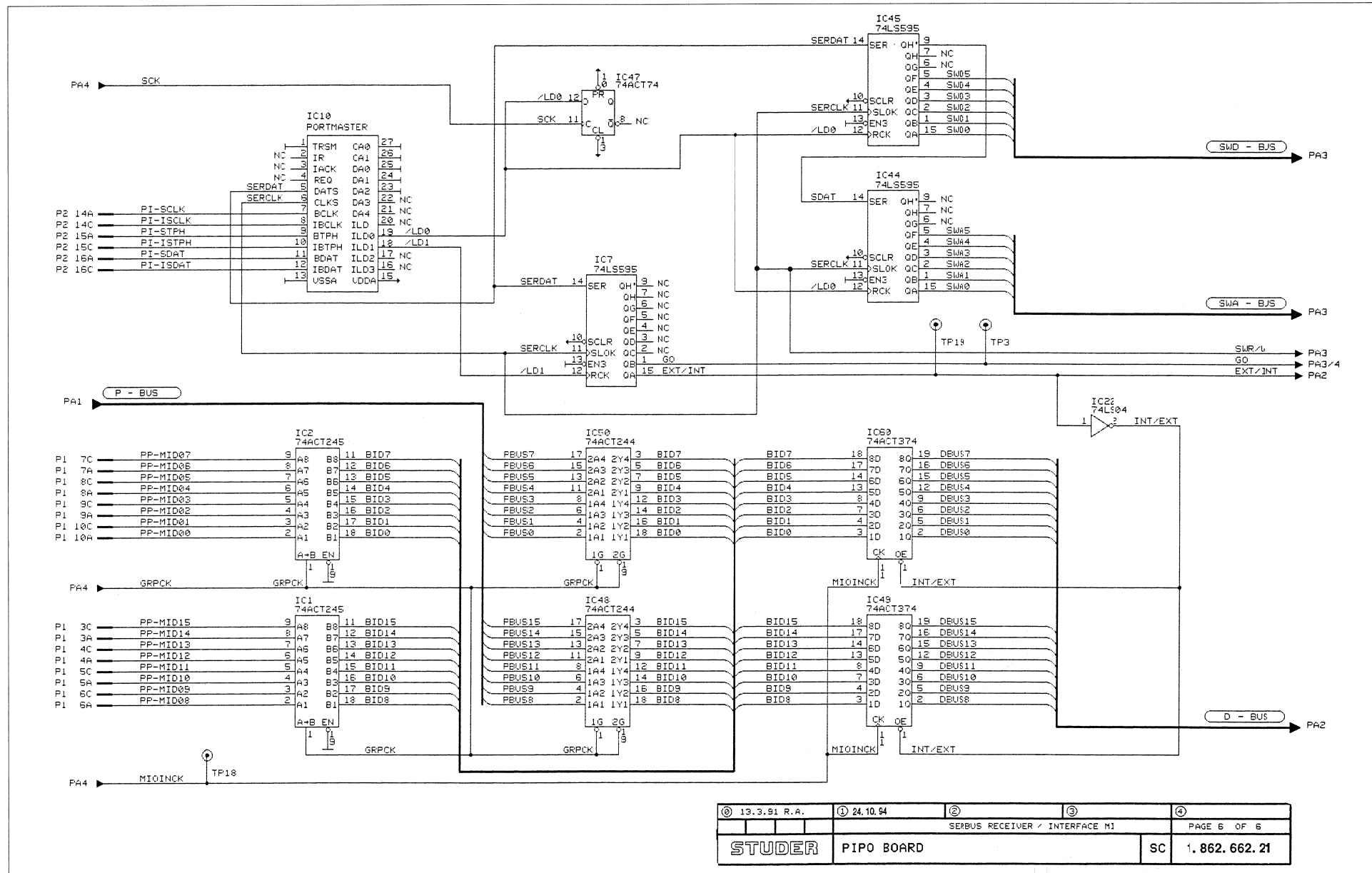
① 13.3.91 R.A.	② 24.10.94	③	④
TIMING			PAGE 4 OF 5
STUDER	PIPO BOARD	SC	1.862.662.21

PING PONG BOARD 1.862.662.21  
- Interface I / O



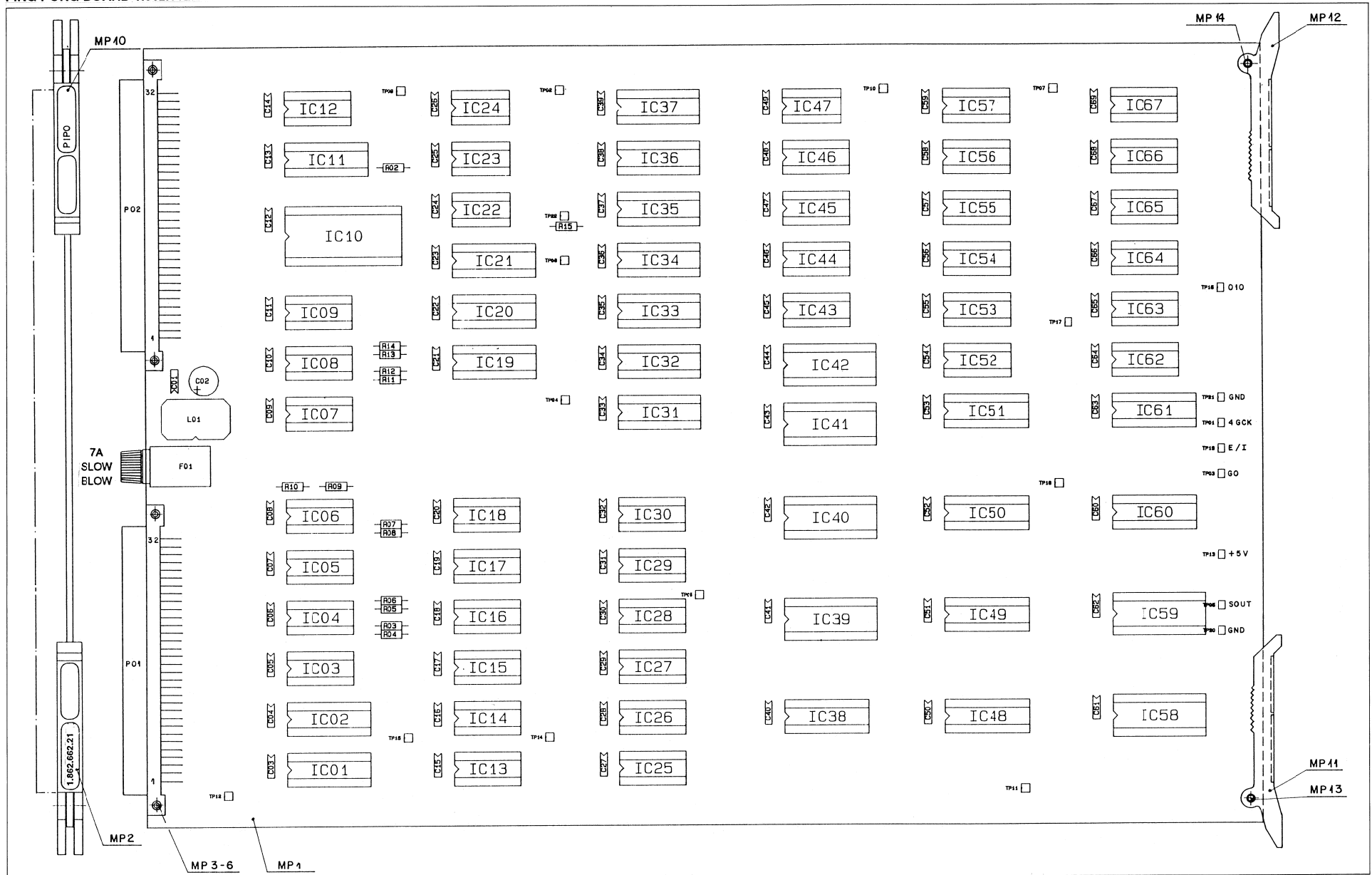
Mitte Nutzfläche bis Falz  
Mitte Satzspiegel

**PING PONG BOARD 1.862.662.21**  
- Serbus Receiver / Interface Mi





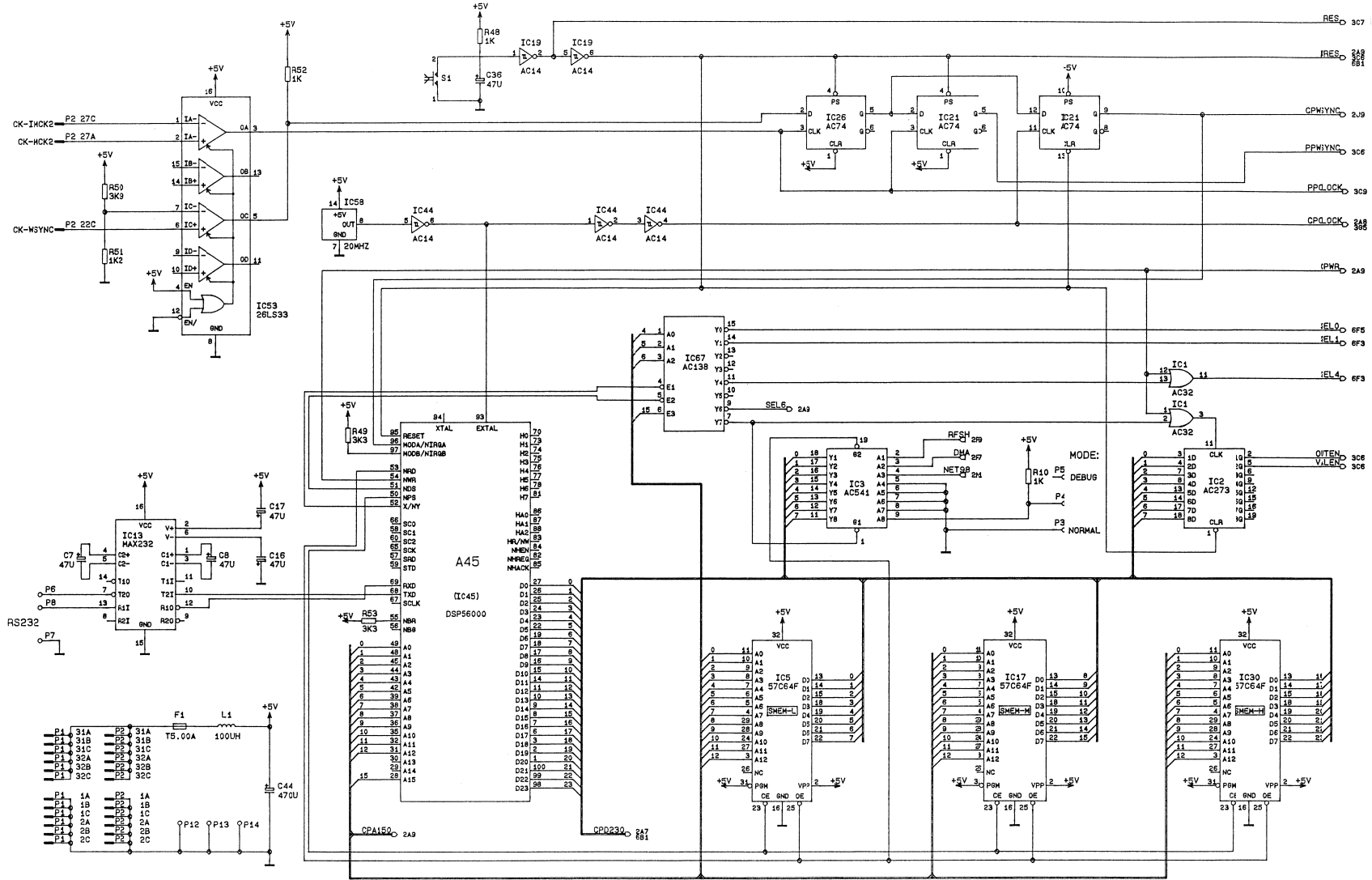
PING PONG BOARD 1.862.662.21







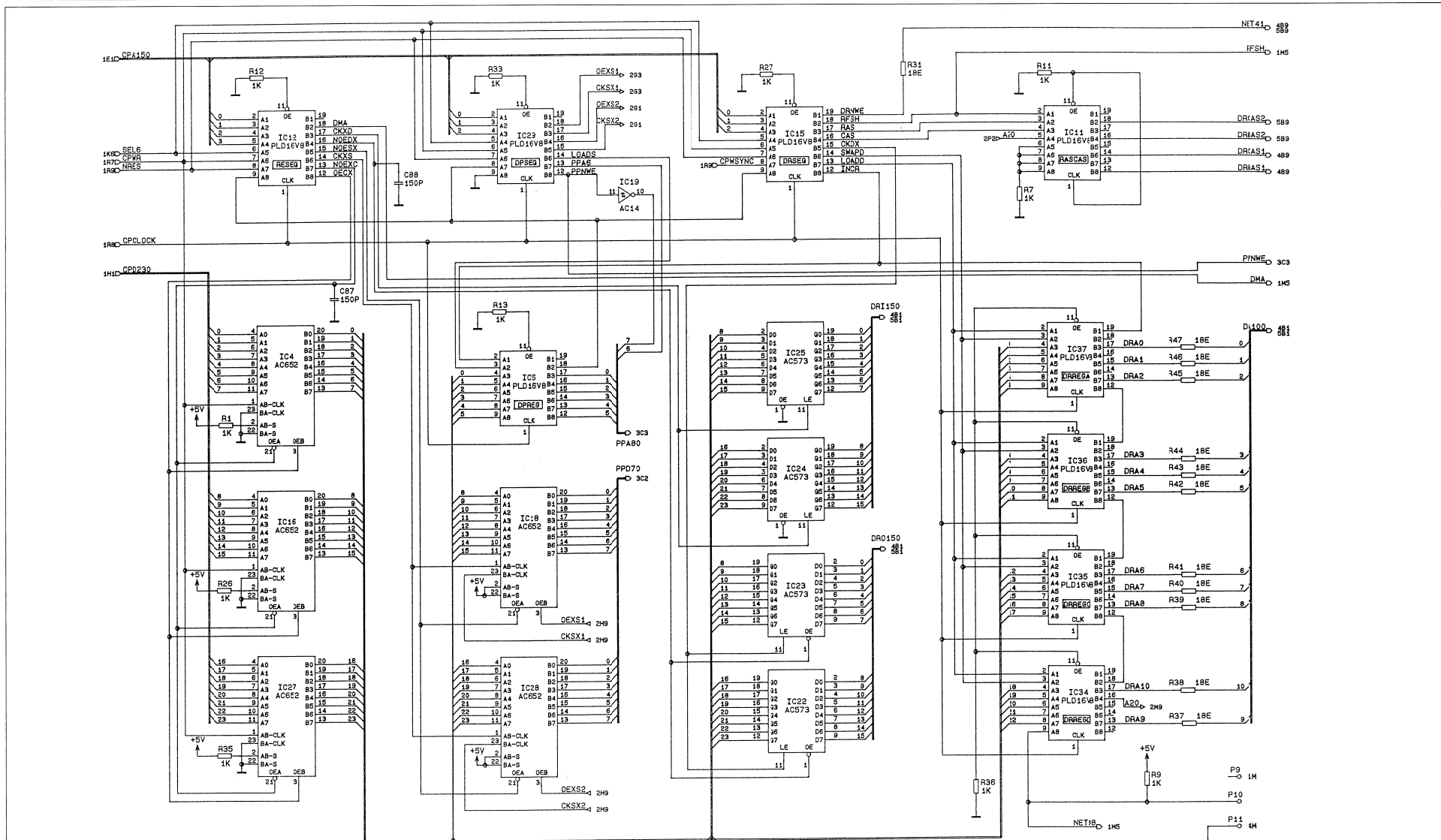
SOUND MEMORY 1.862.665.22



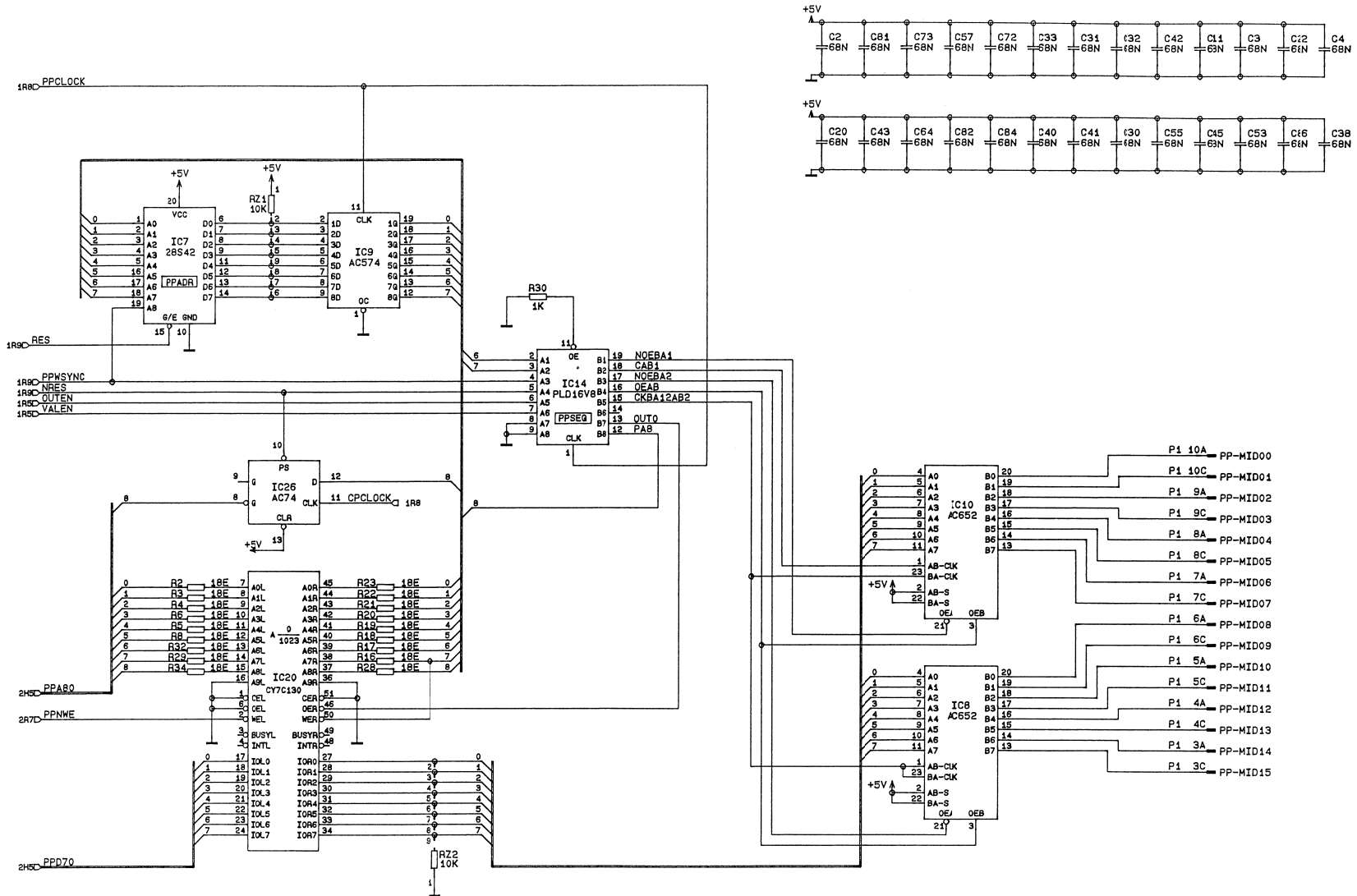
EDITION: OKTOBER 1995



SOUND MEMORY 1.862.665.22



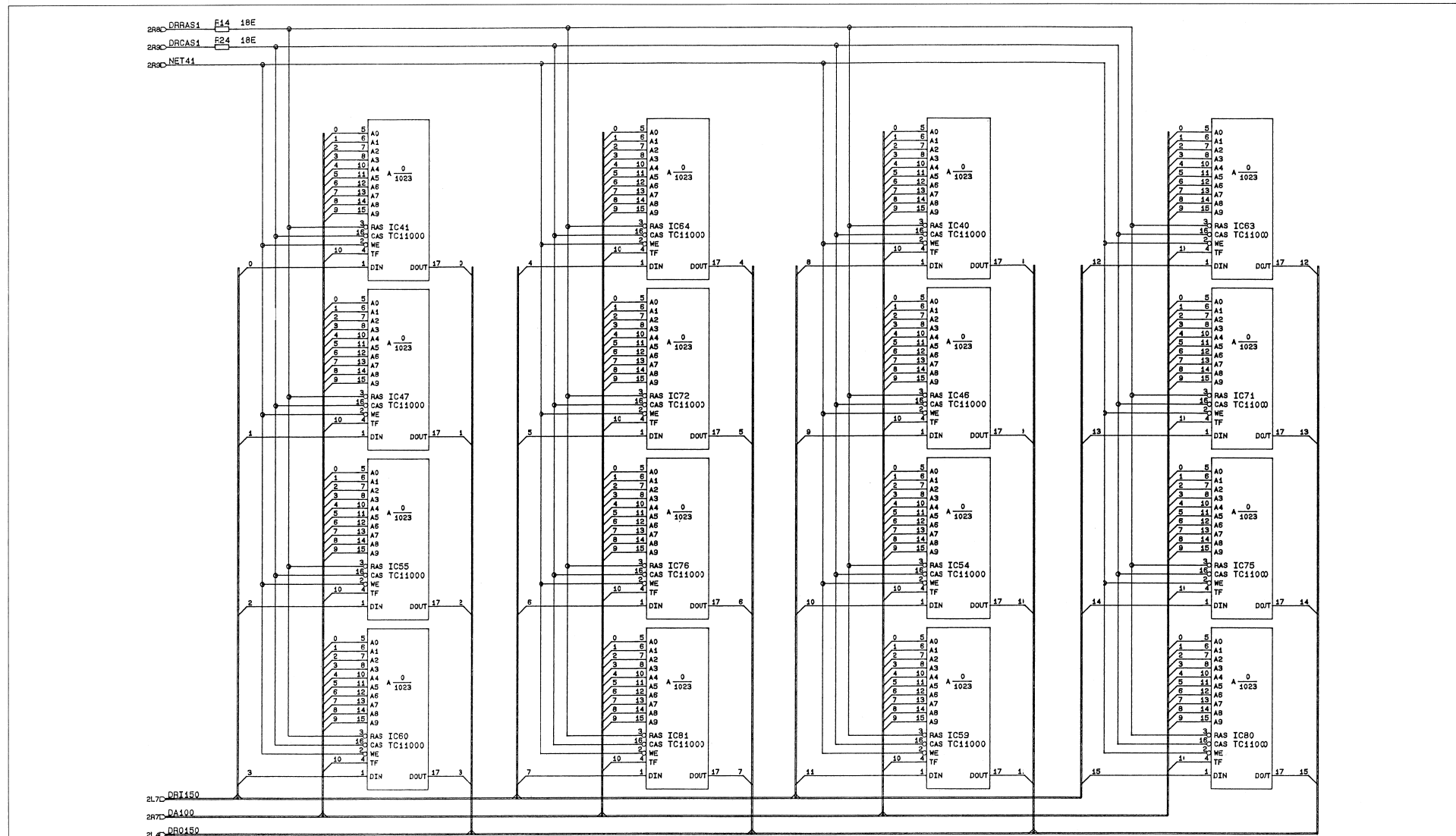
SOUND MEMORY 1.862.665.22



① 14.07.92 LAR			
	D820 MCH		PAGE 3 OF 6
<b>STUDER</b>	SOUND MEMORY	SC 1.862.665-22	



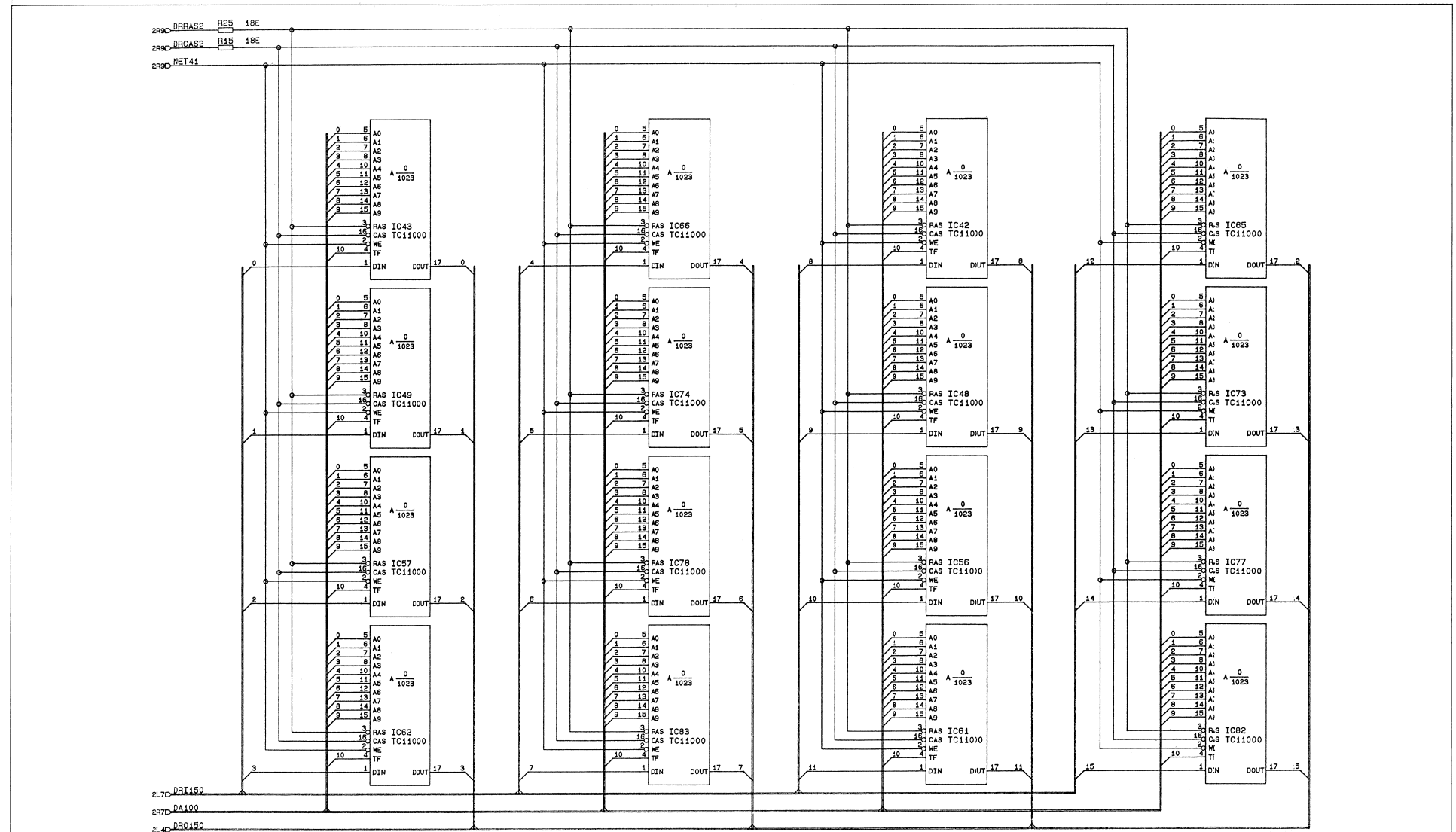
SOUND MEMORY 1.862.665.22



© 14.07.92 LAR				
D820 MCH			PAGE 4 OF 6	
STUDER		SOUND MEMORY		SC 1.862.665-22



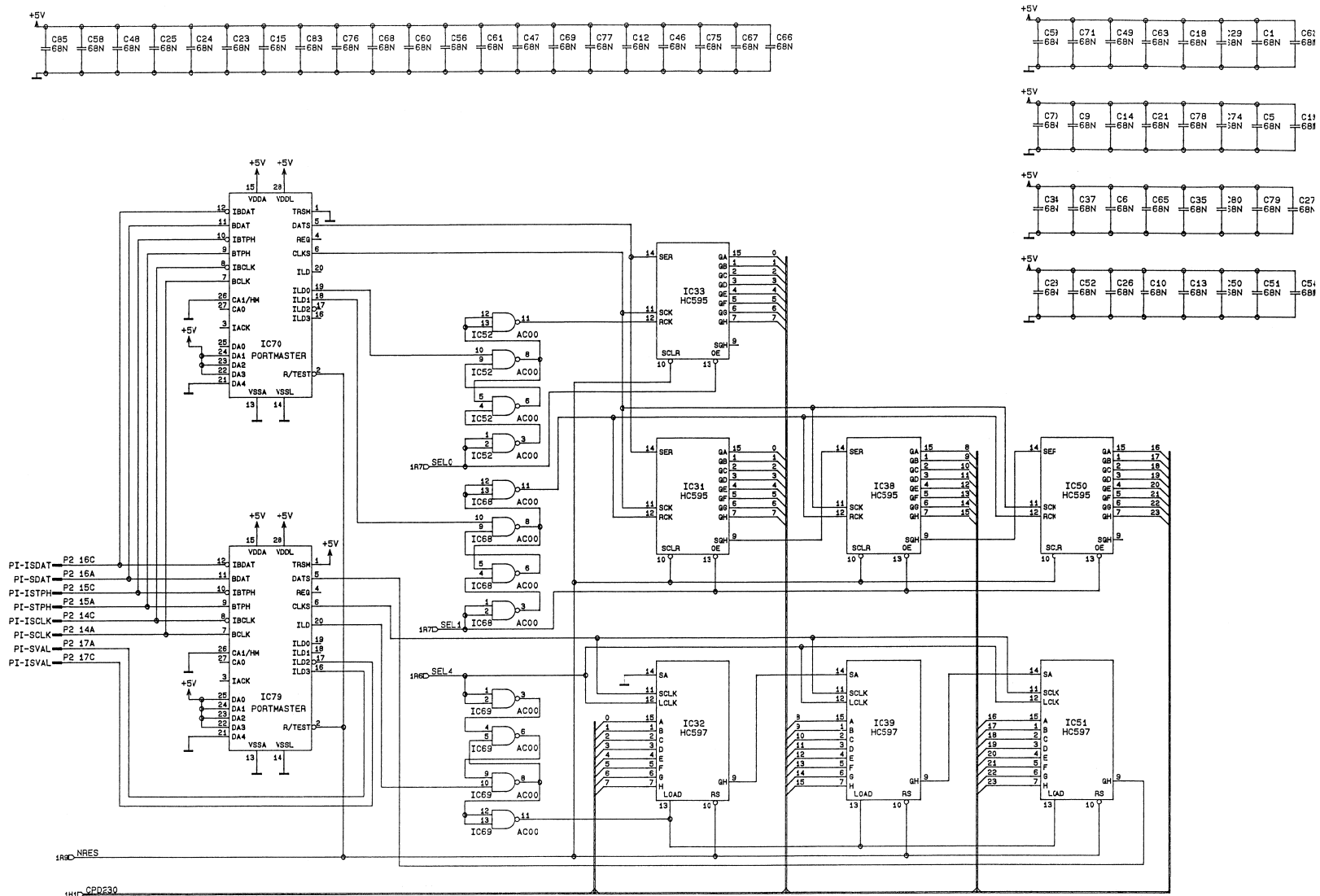
SOUND MEMORY 1.862.665.22



© 14.07.92 LAR				
STUDER			D82C MCH	PAGE 5 OF 6
SOUND MEMORY			SC1.862.665-22	

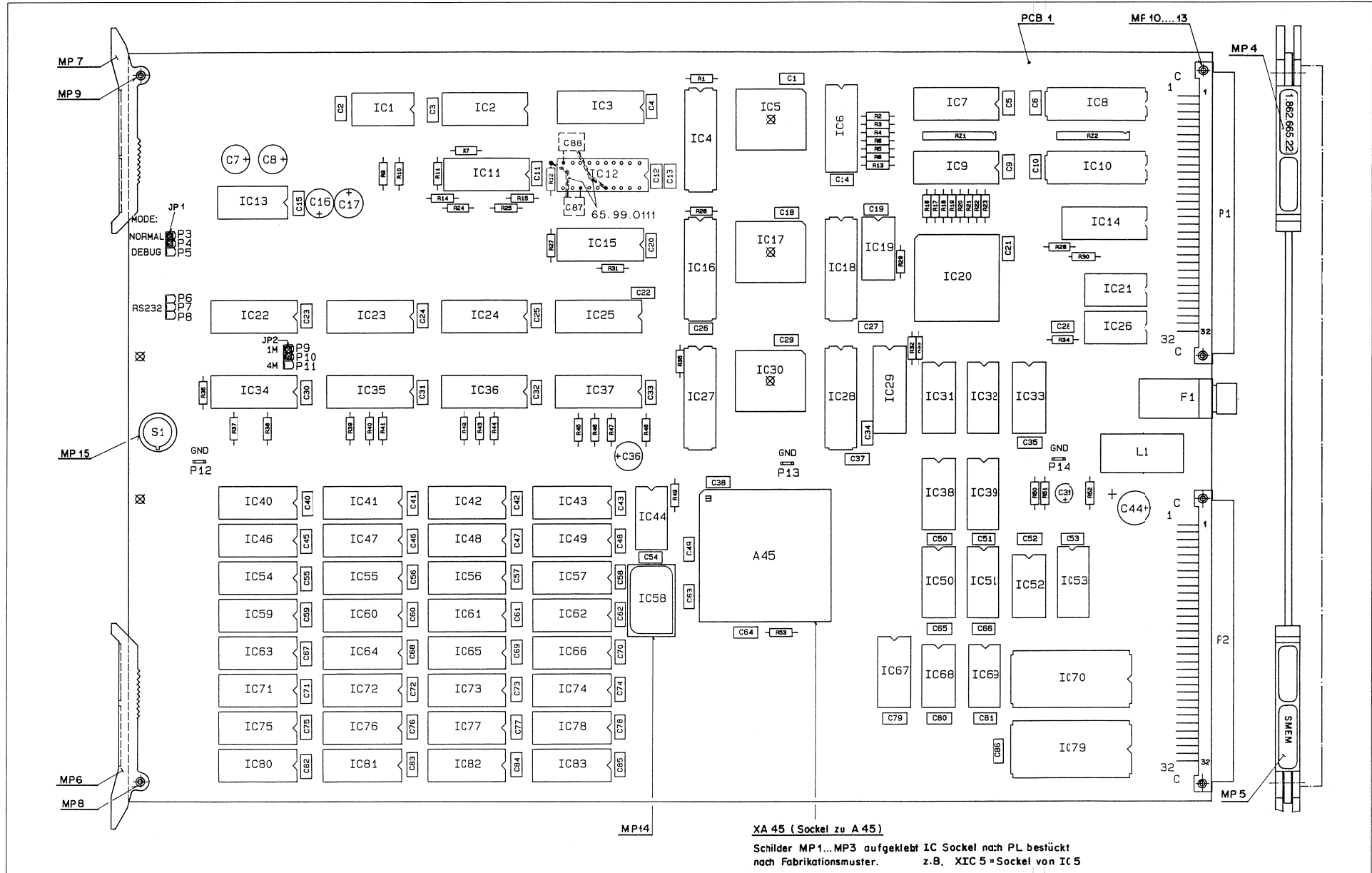


SOUND MEMORY 1.862.665.22



© 14.07.92 LAR			
		D820 MCH	PAGE 6 OF 6
<b>STUDER</b>	SOUND MEMORY		SC 1.862.665-22

SOUND MEMORY 1.862.665.22



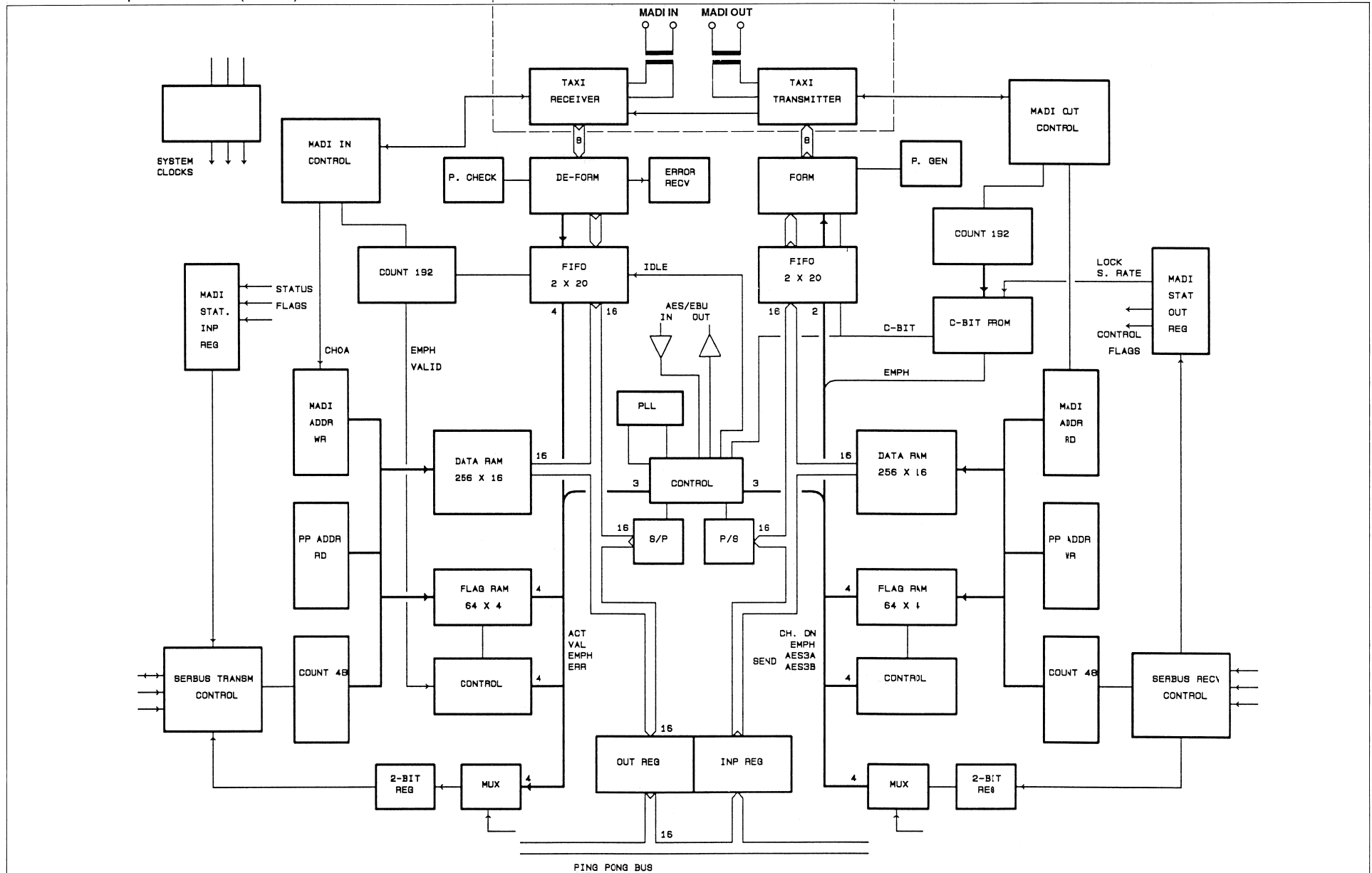




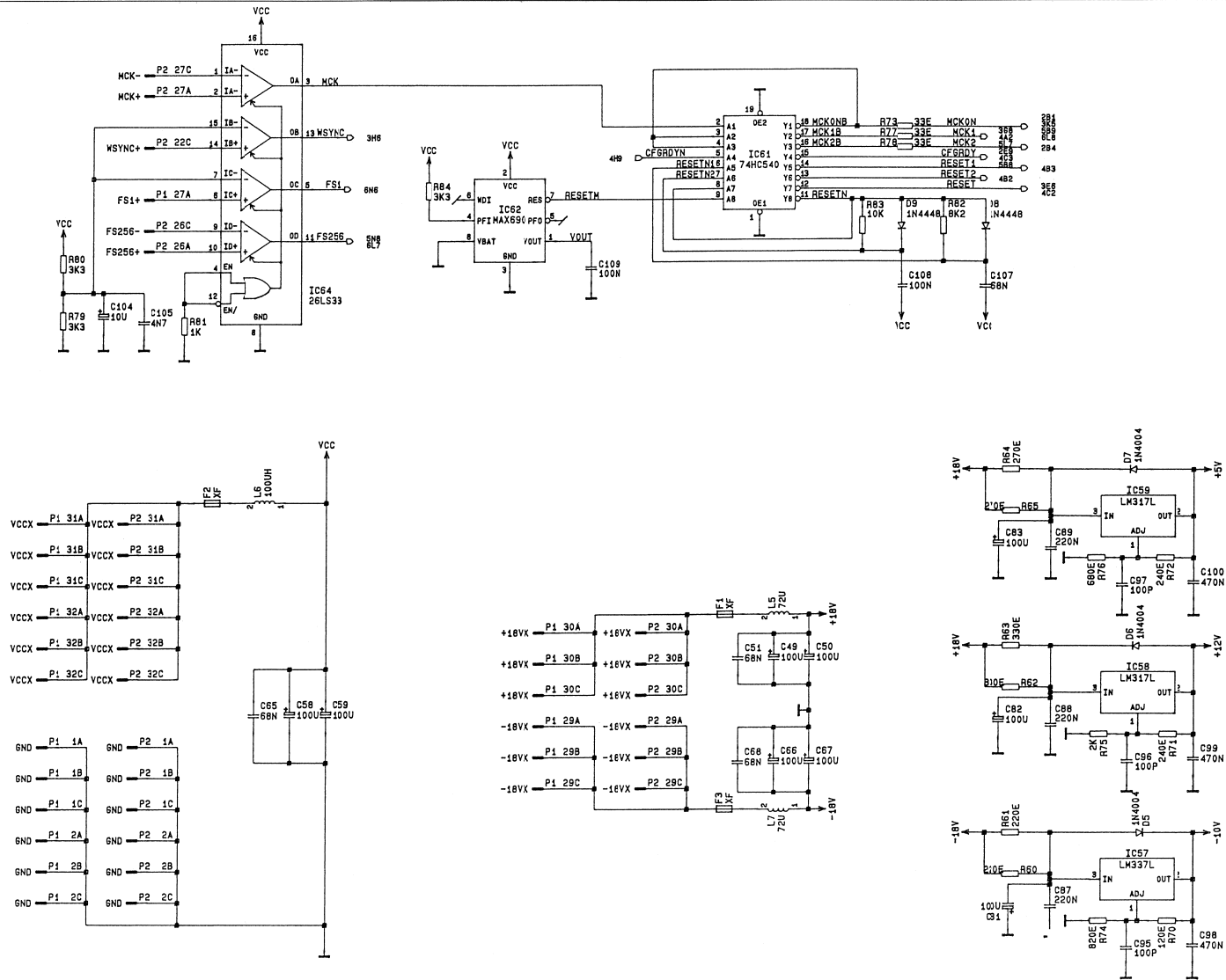
**BLOCK DIAGRAM**

- Madi Interface 1.862.666
- Madi Frontend BNC 1.862.690.81
- or Madi Frontend Optical 1.862.691.00 (OPTION)

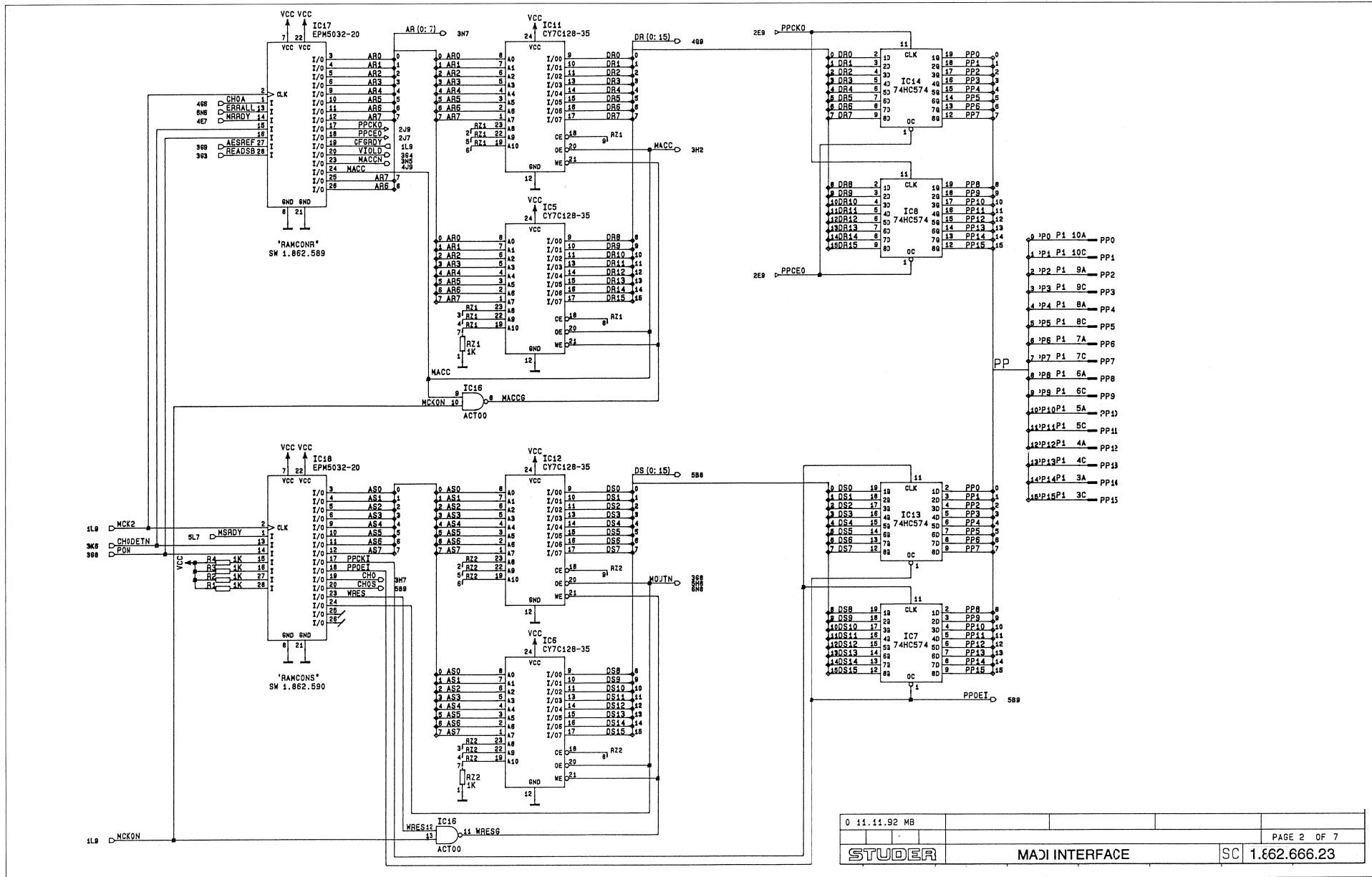
- Madi Frontend BNC 1.862.690
- Madi Frontend Optical 1.862.691



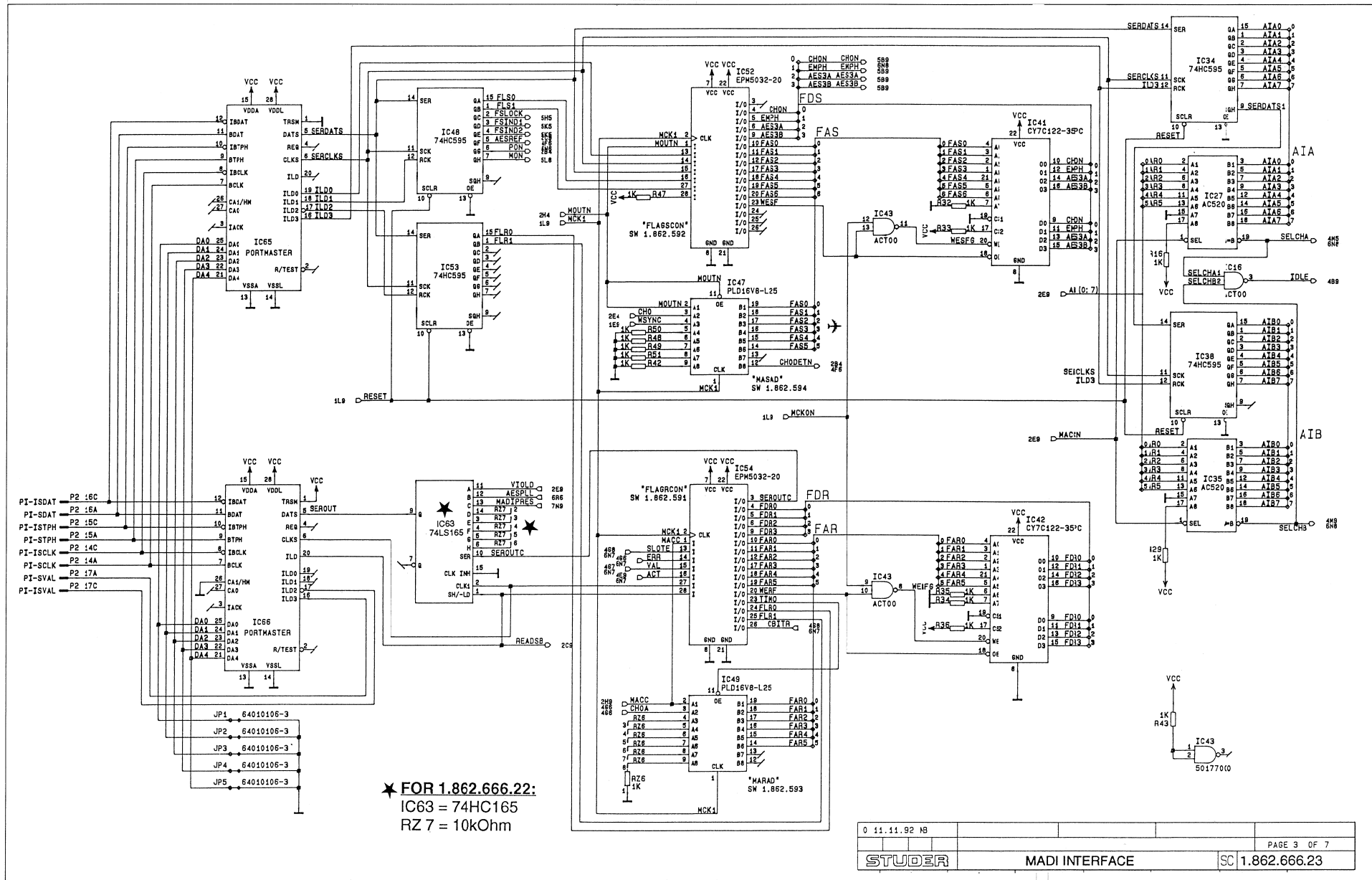
MADI INTERFACE 1.862.666.22 / 1.862.666.23



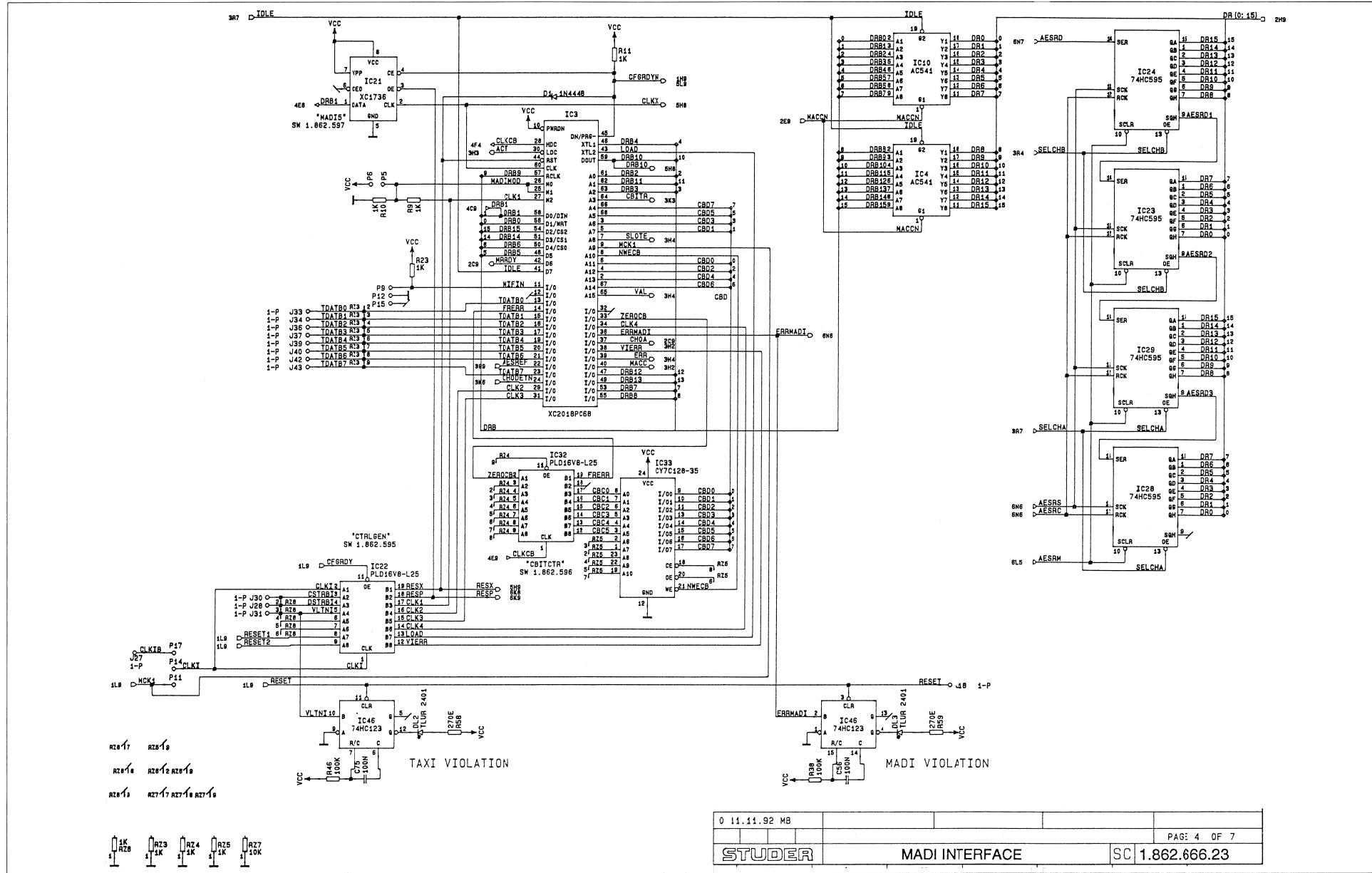
MADI INTERFACE 1.862.666.22 / 1.862.666.23



MADI INTERFACE 1.862.666.22 / 1.862.666.23

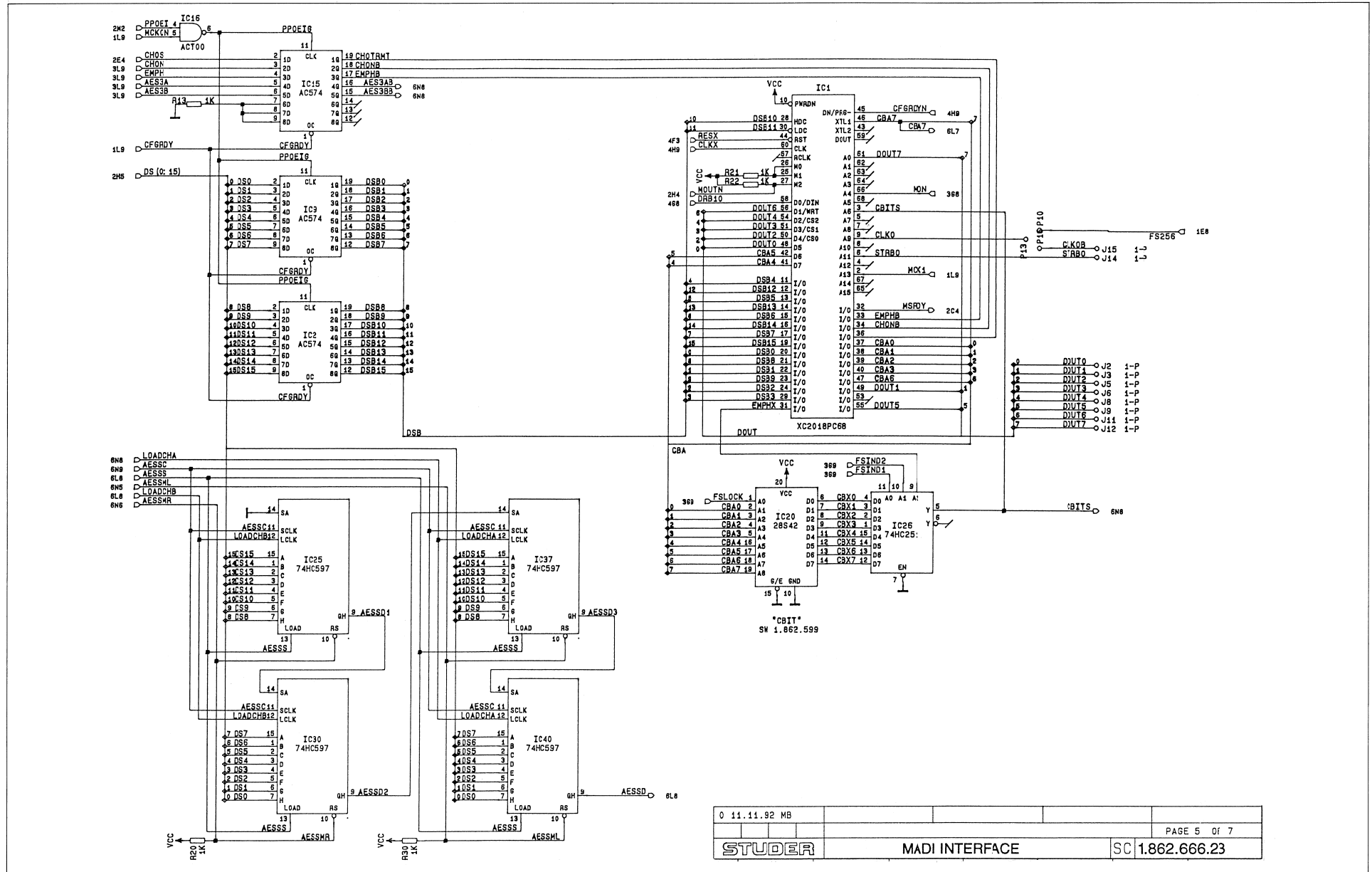


MADI INTERFACE 1.862.666.22 / 1.862.666.23



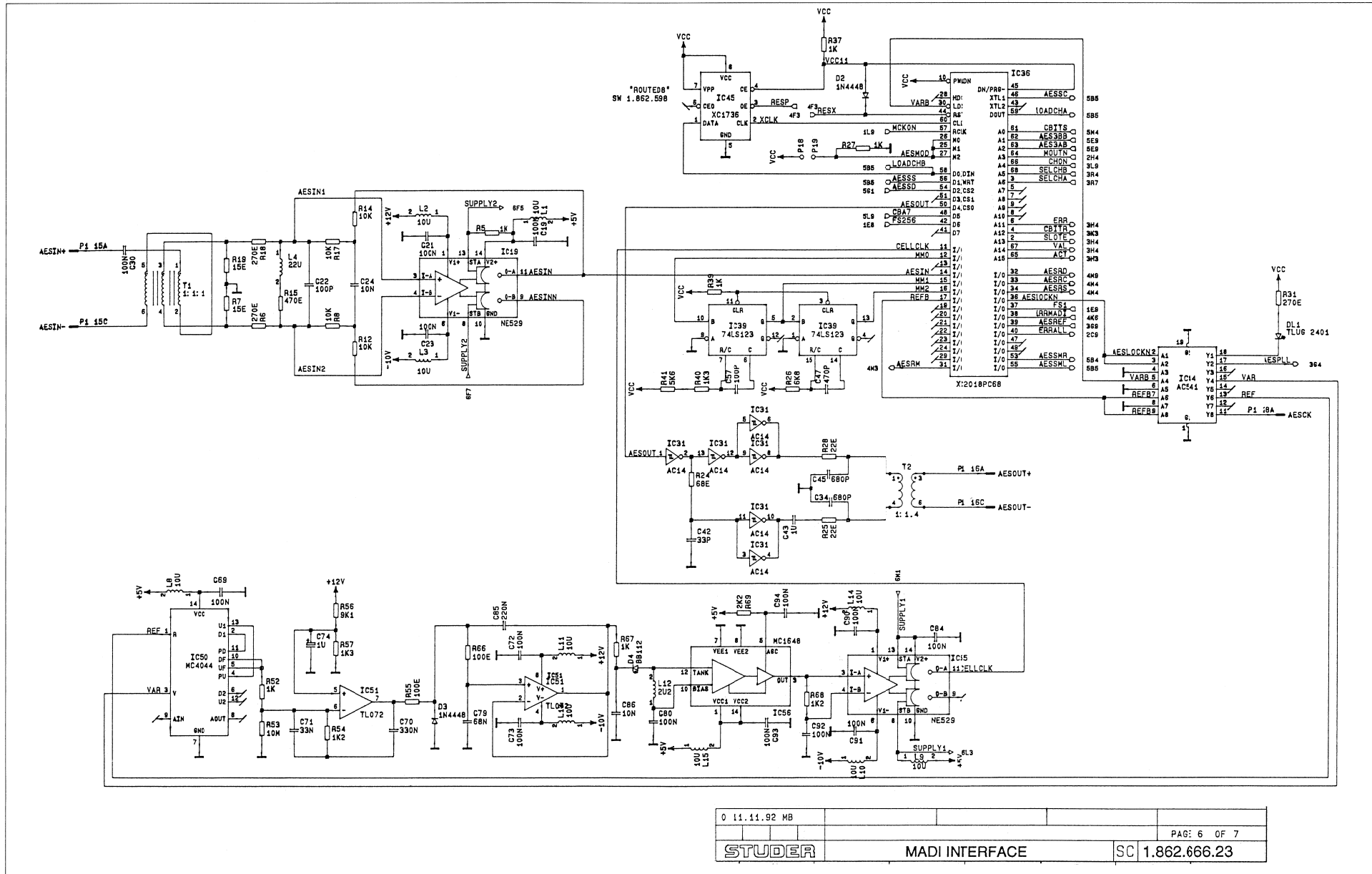


MADI INTERFACE 1.862.666.22 / 1.862.666.23



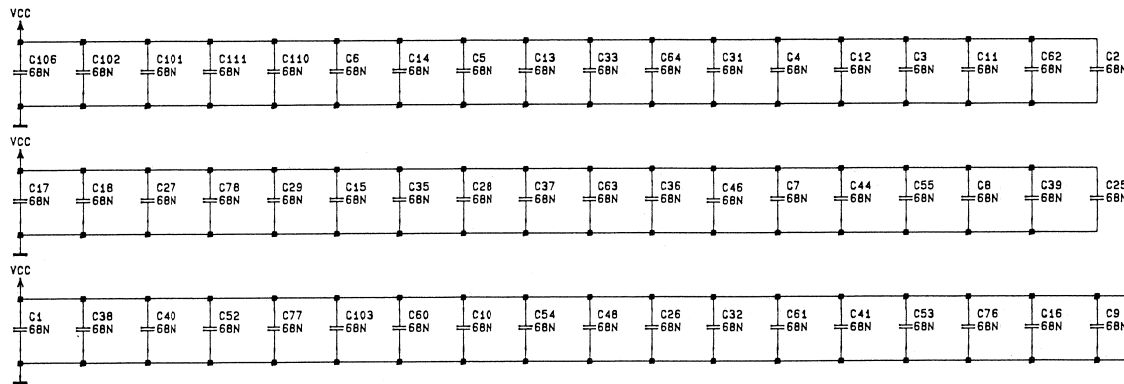
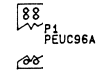
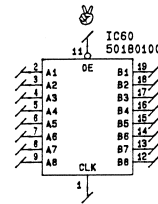
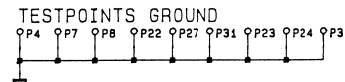
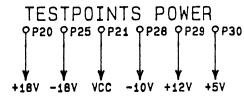
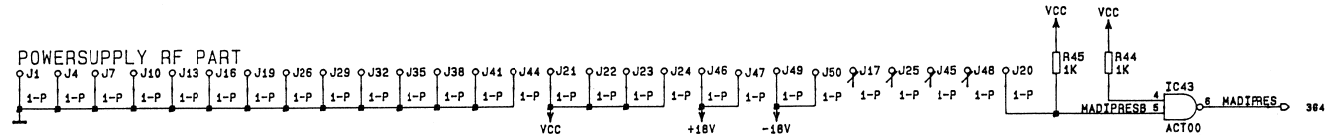
EDITION: OKTOBER 1995

MADI INTERFACE 1.862.666.22 / 1.862.666.23





MADI INTERFACE 1.862.666.22 / 1.862.666.23

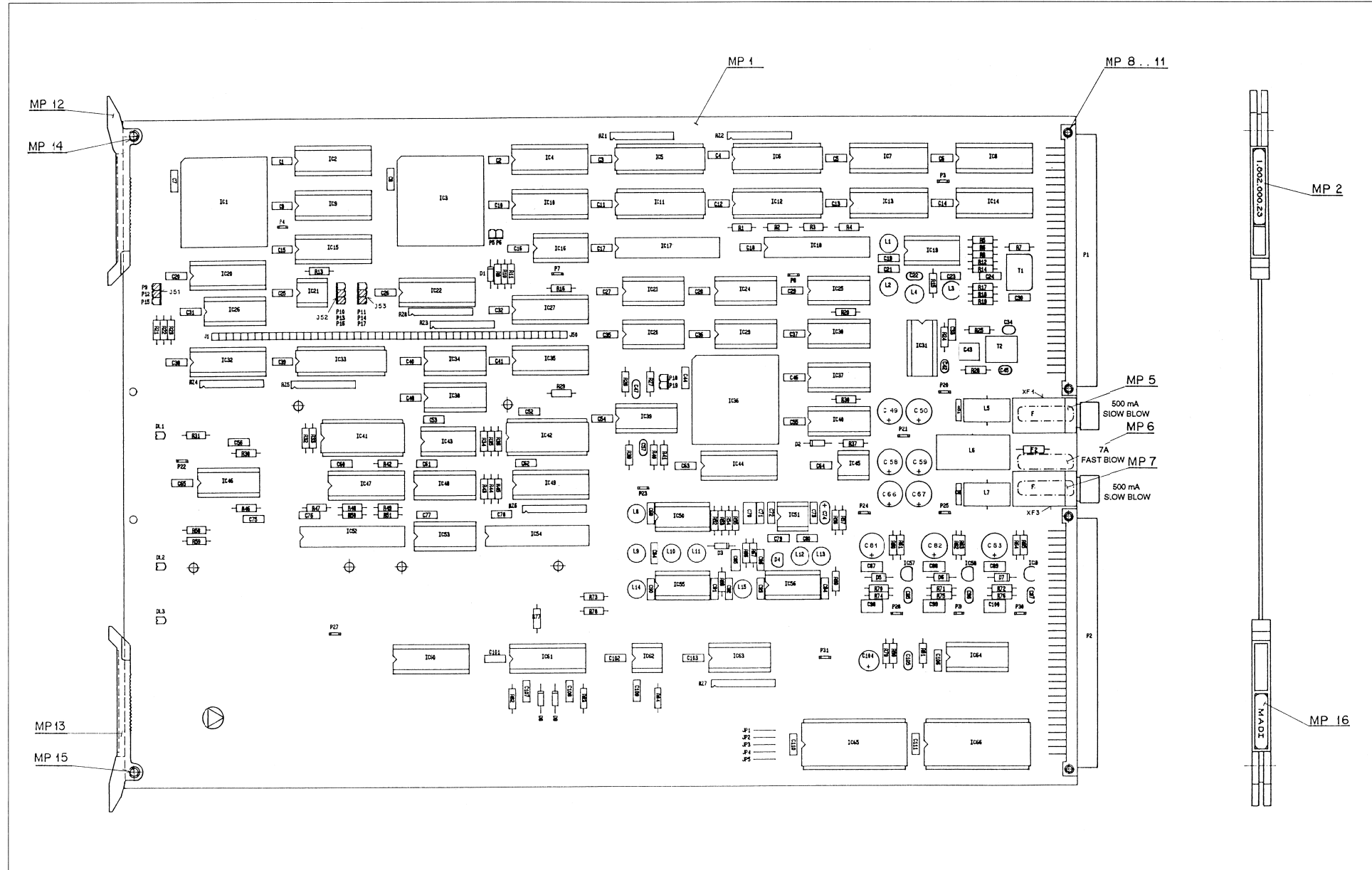


0 11.11.92 MB				
				PAGE 7 OF 7
STUDER		MADI INTERFACE		SC 1.862.666.23





MADI INTERFACE 1.862.666.22 / 1.862.666.23





MADI INTERFACE 1.862.666.22 / 1.862.666.23

Ad	.POS.	REF.No.	DESCRIPTION	MANUFACTURER	Ad	.POS.	REF.No.	DESCRIPTION	MANUFACTURER
C....1	59.06.0683	68n	10%, 63V,		C....98	59.06.0474	470n	10%, 63V,	
C....2	59.06.0683	68n	10%, 63V,		C....99	59.06.0474	470n	10%, 63V,	
C....3	59.06.0683	68n	10%, 63V,		C...100	59.06.0474	470n	10%, 63V,	
C....4	59.06.0683	68n	10%, 63V,		C...101	59.06.0683	68n	10%, 63V,	
C....5	59.06.0683	68n	10%, 63V,		C...102	59.06.0683	68n	10%, 63V,	
C....6	59.06.0683	68n	10%, 63V,		C...103	59.06.0683	68n	10%, 63V,	
C....7	59.06.0683	68n	10%, 63V,		C...104	59.30.4100	10u	20%, 16V,	
C....8	59.06.0683	68n	10%, 63V,		C...105	59.32.2472	4n7	20%, 50V,	
C....9	59.06.0683	68n	10%, 63V,		C...106	59.06.0683	68n	10%, 63V,	
C....10	59.06.0683	68n	10%, 63V,		C...107			not used	
C....11	59.06.0683	68n	10%, 63V,		C...108	59.06.0102	1n	10%, 63V,	
C....12	59.06.0683	68n	10%, 63V,		C...109	59.06.0104	100n	10%, 63V,	
C....13	59.06.0683	68n	10%, 63V,		C...110	59.06.0683	68n	10%, 63V,	
C....14	59.06.0683	68n	10%, 63V,		C...111	59.06.0683	68n	10%, 63V,	
C....15	59.06.0683	68n	10%, 63V,		D....1	50.04.0125	1N4448	D035,RECTIFIER	
C....16	59.06.0683	68n	10%, 63V,		D....2	50.04.0125	1N4448	D035,RECTIFIER	
C....17	59.06.0683	68n	10%, 63V,		D....3	50.04.0125	1N4448	D035,RECTIFIER	
C....18	59.06.0683	68n	10%, 63V,		D....4	50.04.0139	8B112	SOD69,D-CAPACITY	
C....19	59.06.0104	100n	10%, 63V,		D....5	50.04.0105	1N4004	D041,RECTIFIER	
C....20	59.06.0683	68n	10%, 63V,		D....6	50.04.0105	1N4004	D041,RECTIFIER	
C....21	59.06.0104	100n	10%, 63V,	N750	D....7	50.04.0105	1N4004	D041,RECTIFIER	
C....22	59.34.4101	100p	5%, 63V,		D....8	50.04.0125	1N4448	D035,RECTIFIER	
C....23	59.06.0104	100n	10%, 63V,		D....9	50.04.0125	1N4448	D035,RECTIFIER	
C....24	59.06.0103	10n	10%, 63V,		DL...1	50.04.2132	TLUG 2401	GRN DIF, LED 1.90MM	
C....25	59.06.0683	68n	10%, 63V,		DL...2	50.04.2121	TLUR 2401	RED DIF, LED 1.90MM	
C....26	59.06.0683	68n	10%, 63V,		DL...3	50.04.2121	TLUR 2401	RED DIF, LED 1.90MM	
C....27	59.06.0683	68n	10%, 63V,		F....1	51.01.0114	T500mA	250V 5*20	
C....28	59.06.0683	68n	10%, 63V,		F....2	51.99.0133	T7A	MINIFUSE	
C....29	59.06.0683	68n	10%, 63V,		F....3	51.01.0114	T500mA	250V 5*20	
C....30	59.06.0104	100n	10%, 63V,		IC...1	50.63.4000	XC2018PC68	PROG. GATE ARRAY	
C....31	59.06.0683	68n	10%, 63V,		IC...2	50.17.5574	74AC574	OCTAL D-TYPE FLIP FLOP	
C....32	59.06.0683	68n	10%, 63V,		IC...3	50.63.4000	XC2018PC68	PROG. GATE ARRAY	
C....33	59.06.0683	68n	10%, 63V,		IC...4	50.17.5541	74AC541	OCTAL BUFFER	
C....34	59.32.2681	680p	10%, 50V,		IC...5	50.14.1009	CY7C128-35		
C....35	59.06.0683	68n	10%, 63V,		IC...6	50.14.1009	CY7C128-35		
C....36	59.06.0683	68n	10%, 63V,		IC...7	50.17.1574	74HC574	OCTAL 3-STATE DTYPE FF	
C....37	59.06.0683	68n	10%, 63V,		IC...8	50.17.1574	74HC574	OCTAL 3-STATE DTYPE FF	
C....38	59.06.0683	68n	10%, 63V,		IC...9	50.17.5574	74AC574	OCTAL D-TYPE FLIP FLOP	
C....39	59.06.0683	68n	10%, 63V,		IC...10	50.17.5541	74AC541	OCTAL BUFFER	
C....40	59.06.0683	68n	10%, 63V,		IC...11	50.14.1009	CY7C128-35		
C....41	59.06.0683	68n	10%, 63V,		IC...12	50.14.1009	CY7C128-35		
C....42	59.34.2330	33p	5%, 63V,	N150	IC...13	50.17.1574	74HC574	OCTAL 3-STATE DTYPE FF	
C....43	59.06.0105	1u	10%, 50V,		IC...14	50.17.1574	74HC574	OCTAL 3-STATE DTYPE FF	
C....44	59.06.0683	68n	10%, 63V,		IC...15	50.17.1574	74HC574	OCTAL D-TYPE FLIP FLOP	
C....45	59.32.2681	680p	10%, 50V,		IC...16	50.17.7000	ACT00	QUAD 2-INPUT NAND GATE	
C....46	59.06.0683	68n	10%, 63V,		IC...17	50.18.0102	EPMS032-20	PLD 32-MACROCELL (SW 1.862.589.21)	
C....47	59.34.5471	470p	5%, 63V,	N1500	IC...18	50.18.0102	EPMS032-20	PLD 32-MACROCELL (SW 1.862.590.20)	
C....48	59.06.0683	68n	10%, 63V,		IC...19	50.11.0115	NE529	VOLTAGE COMPARATOR	
C....49	59.22.5101	100u	-20/+50%, 25V,		IC...20	50.14.0120	28S42N	PROM 512*8 (SW 1.862.599.20)	
C....50	59.22.5101	100u	-20/+50%, 25V,		IC...21	50.14.1501	XC1736	SER. EPROM (SW 1.862.597.21)	
C....51	59.06.0683	68n	10%, 63V,		IC...22	50.18.0100	PLD16V8	PROG. LOGIC DEVICE (SW 1.862.595.20)	
C....52	59.06.0683	68n	10%, 63V,		IC...23	50.17.1595	74HC595	8 BIT SHIFT/OUT. REGISTER	
C....53	59.06.0683	68n	10%, 63V,		IC...24	50.17.1595	74HC595	8 BIT SHIFT/OUT. REGISTER	
C....54	59.06.0683	68n	10%, 63V,		IC...25	50.17.1597	74HC597	8 BIT LATCH / SHIFT REG.	
C....55	59.06.0683	68n	10%, 63V,		IC...26	50.17.1251	74HC251		
C....56	59.06.0104	100n	10%, 63V,		IC...27	50.17.5520	74AC520	8-BIT COMPARATOR	
C....57	59.34.4101	100p	5%, 63V,	N750	IC...28	50.17.1595	74HC595	8 BIT SHIFT/OUT. REGISTER	
C....58	59.22.5101	100u	-20/+50%, 25V,		IC...29	50.17.1595	74HC595	8 BIT SHIFT/OUT. REGISTER	
C....59	59.22.5101	100u	-20/+50%, 25V,		IC...30	50.17.1597	74HC597	8 BIT LATCH / SHIFT REG.	
C....60	59.06.0683	68n	10%, 63V,		IC...31	50.17.5014	74AC14	HEX INV SCHMITT TRIGGER	
C....61	59.06.0683	68n	10%, 63V,		IC...32	50.18.0100	PLD16V8	PROG. LOGIC DEVICE (SW 1.862.596.20)	
C....62	59.06.0683	68n	10%, 63V,		IC...33	50.14.1009	CY7C128-35		
C....63	59.06.0683	68n	10%, 63V,		IC...34	50.17.1595	74HC595	8 BIT SHIFT/OUT. REGISTER	
C....64	59.06.0683	68n	10%, 63V,		IC...35	50.17.5520	74AC520	8-BIT COMPARATOR	
C....65	59.06.0683	68n	10%, 63V,		IC...36	50.63.4000	XC2018PC68	PROG. GATE ARRAY	
C....66	59.22.5101	100u	-20/+50%, 25V,		IC...37	50.17.1597	74HC597	8 BIT LATCH / SHIFT REG.	
C....67	59.22.5101	100u	-20/+50%, 25V,		IC...38	50.17.1595	74HC595	8 BIT SHIFT/OUT. REGISTER	
C....68	59.06.0683	68n	10%, 63V,		IC...39	50.06.0123	74LS123	DUAL RETR. MONOST.MULTIV.	
C....69	59.06.0104	100n	10%, 63V,		IC...40	50.17.1597	74HC597	8 BIT LATCH / SHIFT REG.	
C....70	59.06.0334	330n	10%, 63V,		IC...41	50.14.0127	CY7C122-35	RAM 256 * 4 35NS	
C....71	59.06.0333	33n	10%, 63V,		IC...42	50.14.0127	CY7C122-35	RAM 256 * 4 35NS	
C....72	59.06.0104	100n	10%, 63V,		IC...43	50.17.7000	74ACT00	QUAD 2-INPUT NAND GATE	
C....73	59.06.0104	100n	10%, 63V,		IC...44	50.17.5541	74AC541	OCTAL BUFFER	
C....74	59.26.5109	1u	20%, 25V,		IC...45	50.14.1501	XC1736	SER. EPROM (SW 1.862.598.20)	
C....75	59.06.0104	100n	10%, 63V,		IC...46	50.17.1123	74HC123	DUAL RET. MONOST. MULTIV.	
C....76	59.06.0683	68n	10%, 63V,		IC...47	50.18.0100	PLD16V8	PROG. LOGIC DEVICE (SW 1.862.594.20)	
C....77	59.06.0683	68n	10%, 63V,		IC...48	50.17.1595	74HC595	8 BIT SHIFT/OUT. REGISTER	
C....78	59.06.0683	68n	10%, 63V,		IC...49	50.18.0100	PLD16V8	PROG. LOGIC DEVICE (SW 1.862.593.20)	
C....79	59.06.0683	68n	10%, 63V,		IC...50	50.05.0149	MC4044	PHASE-FREQUENCY DETECTOR	
C....80	59.06.0104	100n	10%, 63V,		IC...51	50.09.0101	TL072	DUAL BIFET	
C....81	59.22.5101	100u	-20/+50%, 25V,		IC...52	50.18.0102	EPMS032-20	PLD 32-MACROCELL (SW 1.862.592.21)	
C....82	59.22.5101	100u	-20/+50%, 25V,		IC...53	50.17.1595	74HC595	8 BIT SHIFT/OUT. REGISTER	
C....83	59.22.5101	100u	-20/+50%, 25V,		IC...54	50.18.0102	EPMS032-20	PLD 32-MACROCELL (SW 1.862.591.20)	
C....84	59.06.0104	100n	10%, 63V,		IC...55	50.11.0115	NE529	VOLTAGE COMPARATOR	
C....85	59.06.0224	220n	10%, 63V,		IC...56	50.11.0112	MC1648	VOLTAGE CONTR. OSCILLATOR	
C....86	59.06.0103	10n	10%, 63V,		IC...57	50.10.0109	LM337L	SERIE-REG. -	
C....87	59.06.0224	220n	10%, 63V,		IC...58	50.10.0108	LM317L	SERIE-REG. +	
C....88	59.06.0224	220n	10%, 63V,		IC...59	50.10.0108	LM317L	SERIE-REG. +	
C....89	59.06.0224	220n	10%, 63V,		IC...61	50.17.1540	74HC540	OCTAL BUFFER INVERTING	
C....90	59.06.0104	100n	10%, 63V,		IC...62	50.11.0154	MAX690	MPU SUPERVISORY CIRCUIT	
C....91	59.06.0104	100n	10%, 63V,		IC...63	50.06.0165	74LS165	8BIT SI/PO SHIFT REGISTER	
C....92	59.06.0104	100n	10%, 63V,		IC...64	50.15.0109	26LS33	QUAD DIFF. LINE RECEIVER	
C....93	59.06.0104	100n	10%, 63V,		IC...65	50.50.0010	PORTMASTER	KUNDEN-IC	ST
C....94	59.06.0104	100n	10%, 63V,		IC...66	50.50.0010	PORTMASTER	KUNDEN-IC	ST
C....95	59.34.4101	100p	5%, 63V,	N750					
C....96	59.34.4101	100p	5%, 63V,	N750					
C....97	59.34.4101	100p	5%, 63V,	N750					



MADI INTERFACE 1.862.666.22 / 1.862.666.23

Ad		..POS..	..REF.No..	DESCRIPTION	MANUFACTURER	Ad	..POS..	..REF.No..	DESCRIPTION	MANUFACTURER
J....1	53.03.0219	1-P		FEMALE, AU 7.6MM		P.....6	54.01.0020	1-P	STR., MALE, P-STRIP 5	
J....2	53.03.0219	1-P		FEMALE, AU 7.6MM		P.....7	54.02.0320	1-P	STR., MALE, FLATPIN 2	
J....3	53.03.0219	1-P		FEMALE, AU 7.6MM		P.....8	54.02.0320	1-P	STR., MALE, FLATPIN 2	
J....4	53.03.0219	1-P		FEMALE, AU 7.6MM		P.....9	54.01.0020	1-P	STR., MALE, P-STRIP 5	
J....5	53.03.0219	1-P		FEMALE, AU 7.6MM		P.....10	54.01.0020	1-P	STR., MALE, P-STRIP 5	
J....6	53.03.0219	1-P		FEMALE, AU 7.6MM		P.....11	54.01.0020	1-P	STR., MALE, P-STRIP 5	
J....7	53.03.0219	1-P		FEMALE, AU 7.6MM		P.....12	54.01.0020	1-P	STR., MALE, P-STRIP 5	
J....8	53.03.0219	1-P		FEMALE, AU 7.6MM		P.....13	54.01.0020	1-P	STR., MALE, P-STRIP 5	
J....9	53.03.0219	1-P		FEMALE, AU 7.6MM		P.....14	54.01.0020	1-P	STR., MALE, P-STRIP 5	
J....10	53.03.0219	1-P		FEMALE, AU 7.6MM		P.....15	54.01.0020	1-P	STR., MALE, P-STRIP 5	
J....11	53.03.0219	1-P		FEMALE, AU 7.6MM		P.....16	54.01.0020	1-P	STR., MALE, P-STRIP 5	
J....12	53.03.0219	1-P		FEMALE, AU 7.6MM		P.....17	54.01.0020	1-P	STR., MALE, P-STRIP 5	
J....13	53.03.0219	1-P		FEMALE, AU 7.6MM		P.....18	54.01.0020	1-P	STR., MALE, P-STRIP 5	
J....14	53.03.0219	1-P		FEMALE, AU 7.6MM		P.....19	54.01.0020	1-P	STR., MALE, P-STRIP 5	
J....15	53.03.0219	1-P		FEMALE, AU 7.6MM		P.....20	54.02.0320	1-P	STR., MALE, FLATPIN 2	
J....16	53.03.0219	1-P		FEMALE, AU 7.6MM		P.....21	54.02.0320	1-P	STR., MALE, FLATPIN 2	
J....17	53.03.0219	1-P		FEMALE, AU 7.6MM		P.....22	54.02.0320	1-P	STR., MALE, FLATPIN 2	
J....18	53.03.0219	1-P		FEMALE, AU 7.6MM		P.....23	54.02.0320	1-P	STR., MALE, FLATPIN 2	
J....19	53.03.0219	1-P		FEMALE, AU 7.6MM		P.....24	54.02.0320	1-P	STR., MALE, FLATPIN 2	
J....20	53.03.0219	1-P		FEMALE, AU 7.6MM		P.....25	54.02.0320	1-P	STR., MALE, FLATPIN 2	
J....21	53.03.0219	1-P		FEMALE, AU 7.6MM		P.....26	54.02.0320	1-P	STR., MALE, FLATPIN 2	
J....22	53.03.0219	1-P		FEMALE, AU 7.6MM		P.....27	54.02.0320	1-P	STR., MALE, FLATPIN 2	
J....23	53.03.0219	1-P		FEMALE, AU 7.6MM		P.....28	54.02.0320	1-P	STR., MALE, FLATPIN 2	
J....24	53.03.0219	1-P		FEMALE, AU 7.6MM		P.....29	54.02.0320	1-P	STR., MALE, FLATPIN 2	
J....25	53.03.0219	1-P		FEMALE, AU 7.6MM		P.....30	54.02.0320	1-P	STR., MALE, FLATPIN 2	
J....26	53.03.0219	1-P		FEMALE, AU 7.6MM		P....31	54.02.0320	1-P	STR., MALE, FLATPIN 2	
J....27	53.03.0219	1-P		FEMALE, AU 7.6MM		R....1	57.11.3102	1k	1%, 0.6W, 0207, MF	
J....28	53.03.0219	1-P		FEMALE, AU 7.6MM		R....2	57.11.3102	1k	1%, 0.6W, 0207, MF	
J....29	53.03.0219	1-P		FEMALE, AU 7.6MM		R....3	57.11.3102	1k	1%, 0.6W, 0207, MF	
J....30	53.03.0219	1-P		FEMALE, AU 7.6MM		R....4	57.11.3102	1k	1%, 0.6W, 0207, MF	
J....31	53.03.0219	1-P		FEMALE, AU 7.6MM		R....5	57.11.3102	1k	1%, 0.6W, 0207, MF	
J....32	53.03.0219	1-P		FEMALE, AU 7.6MM		R....6	57.11.3271	270E	1%, 0.6W, 0207, MF	
J....33	53.03.0219	1-P		FEMALE, AU 7.6MM		R....7	57.11.3150	15E	1%, 0.6W, 0207, MF	
J....34	53.03.0219	1-P		FEMALE, AU 7.6MM		R....8	57.11.3103	10k	1%, 0.6W, 0207, MF	
J....35	53.03.0219	1-P		FEMALE, AU 7.6MM		R....9	57.11.3102	1k	1%, 0.6W, 0207, MF	
J....36	53.03.0219	1-P		FEMALE, AU 7.6MM		R....10	57.11.3102	1k	1%, 0.6W, 0207, MF	
J....37	53.03.0219	1-P		FEMALE, AU 7.6MM		R....11	57.11.3102	1k	1%, 0.6W, 0207, MF	
J....38	53.03.0219	1-P		FEMALE, AU 7.6MM		R....12	57.11.3103	10k	1%, 0.6W, 0207, MF	
J....39	53.03.0219	1-P		FEMALE, AU 7.6MM		R....13	57.11.3102	1k	1%, 0.6W, 0207, MF	
J....40	53.03.0219	1-P		FEMALE, AU 7.6MM		R....14	57.11.3103	10k	1%, 0.6W, 0207, MF	
J....41	53.03.0219	1-P		FEMALE, AU 7.6MM		R....15	57.11.3471	470E	1%, 0.6W, 0207, MF	
J....42	53.03.0219	1-P		FEMALE, AU 7.6MM		R....16	57.11.3102	1k	1%, 0.6W, 0207, MF	
J....43	53.03.0219	1-P		FEMALE, AU 7.6MM		R....17	57.11.3103	10k	1%, 0.6W, 0207, MF	
J....44	53.03.0219	1-P		FEMALE, AU 7.6MM		R....18	57.11.3271	270E	1%, 0.6W, 0207, MF	
J....45	53.03.0219	1-P		FEMALE, AU 7.6MM		R....19	57.11.3150	15E	1%, 0.6W, 0207, MF	
J....46	53.03.0219	1-P		FEMALE, AU 7.6MM		R....20	57.11.3102	1k	1%, 0.6W, 0207, MF	
J....47	53.03.0219	1-P		FEMALE, AU 7.6MM		R....21	57.11.3102	1k	1%, 0.6W, 0207, MF	
J....48	53.03.0219	1-P		FEMALE, AU 7.6MM		R....22	57.11.3102	1k	1%, 0.6W, 0207, MF	
J....49	53.03.0219	1-P		FEMALE, AU 7.6MM		R....23	57.11.3102	1k	1%, 0.6W, 0207, MF	
J....50	53.03.0219	1-P		FEMALE, AU 7.6MM		R....24	57.11.3680	68E	1%, 0.6W, 0207, MF	
J....51	54.01.0021			JUMPER CONNECTOR		R....25	57.11.3220	22E	1%, 0.6W, 0207, MF	
J....52	54.01.0021			JUMPER CONNECTOR		R....26	57.11.3682	68k	1%, 0.6W, 0207, MF	
J....53	54.01.0021			JUMPER CONNECTOR		R....27	57.11.3102	1k	1%, 0.6W, 0207, MF	
JP....1				not used		R....28	57.11.3220	22E	1%, 0.6W, 0207, MF	
JP....2	64.01.0106	7.62mm		0.60MM,WIRE BRIDGE		R....29	57.11.3102	1k	1%, 0.6W, 0207, MF	
JP....3				not used		R....30	57.11.3102	1k	1%, 0.6W, 0207, MF	
JP....4				not used		R....31	57.11.3271	270E	1%, 0.6W, 0207, MF	
JP....5	64.01.0106	7.62mm		0.60MM,WIRE BRIDGE		R....32	57.11.3102	1k	1%, 0.6W, 0207, MF	
L.....1	62.02.3100	10u		10%,0E8 {OHM}, HF-CHOKE		R....33	57.11.3102	1k	1%, 0.6W, 0207, MF	
L.....2	62.02.3100	10u		10%,0E8 {OHM}, HF-CHOKE		R....34	57.11.3102	1k	1%, 0.6W, 0207, MF	
L.....3	62.02.3100	10u		10%,0E8 {OHM}, HF-CHOKE		R....35	57.11.3102	1k	1%, 0.6W, 0207, MF	
L.....4	62.02.3220	22u		10%,1E4 {OHM}, HF-CHOKE		R....36	57.11.3102	1k	1%, 0.6W, 0207, MF	
L.....5	62.03.0015	72u		2A, 62030015		R....37	57.11.3102	1k	1%, 0.6W, 0207, MF	
L.....6	62.03.0040	100uH		5A, 62030040		R....38	57.11.3104	100k	1%, 0.6W, 0207, MF	
L.....7	62.03.0015	72u		2A, 62030015		R....39	57.11.3102	1k	1%, 0.6W, 0207, MF	
L.....8	62.02.3100	10u		10%,0E8 {OHM}, HF-CHOKE		R....40	57.11.3132	1k3	1%, 0.6W, 0207, MF	
L.....9	62.02.3100	10u		10%,0E8 {OHM}, HF-CHOKE		R....41	57.11.3562	5k6	1%, 0.6W, 0207, MF	
L.....10	62.02.3100	10u		10%,0E8 {OHM}, HF-CHOKE		R....42	57.11.3102	1k	1%, 0.6W, 0207, MF	
L.....11	62.02.3100	10u		10%,0E8 {OHM}, HF-CHOKE		R....43	57.11.3102	1k	1%, 0.6W, 0207, MF	
L.....12	62.02.3229	2u2		10%,0E3 {OHM}, HF-CHOKE		R....44	57.11.3102	1k	1%, 0.6W, 0207, MF	
L.....13	62.02.3100	10u		10%,0E8 {OHM}, HF-CHOKE		R....45	57.11.3102	1k	1%, 0.6W, 0207, MF	
L.....14	62.02.3100	10u		10%,0E8 {OHM}, HF-CHOKE		R....46	57.11.3104	100k	1%, 0.6W, 0207, MF	
L.....15	62.02.3100	10u		10%,0E8 {OHM}, HF-CHOKE		R....47	57.11.3102	1k	1%, 0.6W, 0207, MF	
MP....1	1.862.666.11			Empty PCB	ST	R....48	57.11.3102	1k	1%, 0.6W, 0207, MF	
MP....2	1.862.666.01			Etikette: Baugruppennummer	ST	R....49	57.11.3102	1k	1%, 0.6W, 0207, MF	
MP....3	43.01.0108			Etikette: ESE	ST	R....50	57.11.3102	1k	1%, 0.6W, 0207, MF	
MP....4	1.01.001.23			Etikette: Hardware -23	ST	R....51	57.11.3102	1k	1%, 0.6W, 0207, MF	
MP....5	1.010.112.51			Etikette: T500MA	ST	R....52	57.11.3102	1k	1%, 0.6W, 0207, MF	
MP....6	1.010.130.51			Etikette: T7,00A	ST	R....53	57.11.5106	10M	5k, 0.6W, 0207, MF	
MP....7	1.010.112.51			Etikette: T500MA	ST	R....54	57.11.3122	1k2	1%, 0.6W, 0207, MF	
MP....8	28.99.0119			RIVETING NUT	ST	R....55	57.11.3101	100E	1%, 0.6W, 0207, MF	
MP....9	28.99.0119			RIVETING NUT	ST	R....56	57.11.3912	9k1	1%, 0.6W, 0207, MF	
MP....10	28.99.0119			RIVETING NUT	ST	R....57	57.11.3192	1k3	1%, 0.6W, 0207, MF	
MP....11	28.99.0119			RIVETING NUT	ST	R....58	57.11.3271	270E	1%, 0.6W, 0207, MF	
MP....12	1.862.650.05			AUSWERFERHEBEL	ST	R....59	57.11.3271	270E	1%, 0.6W, 0207, MF	
MP....13	1.862.650.05			AUSWERFERHEBEL	ST	R....60	57.11.3221	220E	1%, 0.6W, 0207, MF	
MP....14	1.862.650.06			AUSWERFERSTIFT	ST	R....61	57.11.3221	220E	1%, 0.6W, 0207, MF	
MP....15	1.862.650.06			AUSWERFERSTIFT	ST	R....62	57.11.3331	330E	1%, 0.6W, 0207, MF	
MP....16	1.862.666.02			Etiketten zu Auswerferhebel	ST	R....63	57.11.3331	330E	1%, 0.6W, 0207, MF	
P.....1	54.01.0358	96-P		ANG., MALE, P-EU-C 3		R....64	57.11.3271	270E	1%, 0.6W, 0207, MF	
P.....2	54.01.0358	96-P		ANG., MALE, P-EU-C 3		R....65	57.11.3271	270E	1%, 0.6W, 0207, MF	
P.....3	54.02.0320	1-P		STR., MALE, FLATPIN 2		R....66	57.11.3101	100E	1%, 0.6W, 0207, MF	
P.....4	54.02.0320	1-P		STR., MALE, FLATPIN 2		R....67	57.11.3102	1k	1%, 0.6W, 0207, MF	
P.....5	54.01.0020	1-P		STR., MALE, P-STRIP 5		R....68	57.11.3122	1k2	1%, 0.6W, 0207, MF	
						R....69	57.11.3222	2k2	1%, 0.6W, 0207, MF	
						R....70	57.11.3121	120E	1%, 0.6W, 0207, MF	



MADI INTERFACE 1.862.666.22 / 1.862.666.23

Ad	..POS..	...REF.No...	DESCRIPTION.....	MANUFACTURER
R....71	57.11.3241	240E	1%, 0.6W, 0207,	MF
R....72	57.11.3241	240E	1%, 0.6W, 0207,	MF
R....73	57.11.3330	33E	1%, 0.6W, 0207,	MF
R....74	57.11.3821	820E	1%, 0.6W, 0207,	MF
R....75	57.11.3202	2k	1%, 0.6W, 0207,	MF
R....76	57.11.3681	680E	1%, 0.6W, 0207,	MF
R....77	57.11.3330	33E	1%, 0.6W, 0207,	MF
R....78	57.11.3330	33E	1%, 0.6W, 0207,	MF
R....79	57.11.3332	3k3	1%, 0.6W, 0207,	MF
R....80	57.11.3332	3k3	1%, 0.6W, 0207,	MF
R....81	57.11.3102	1k	1%, 0.6W, 0207,	MF
R....82	57.11.3822	8k2	1%, 0.6W, 0207,	MF
R....83	57.11.3103	10k	1%, 0.6W, 0207,	MF
R....84	57.11.3332	3k3	1%, 0.6W, 0207,	MF
RZ....1	57.88.4102	1k	2%, 0.125W, SIP09, 8 *	1K
RZ....2	57.88.4102	1k	2%, 0.125W, SIP09, 8 *	1K
RZ....3	57.88.4102	1k	2%, 0.125W, SIP09, 8 *	1K
RZ....4	57.88.4102	1k	2%, 0.125W, SIP09, 8 *	1K
RZ....5	57.88.4102	1k	2%, 0.125W, SIP09, 8 *	1K
RZ....6	57.88.4102	1k	2%, 0.125W, SIP09, 8 *	1K
RZ....7	57.88.4102	1k	2%, 0.125W, SIP09, 8 *	1K
RZ....8	57.88.4102	1k	2%, 0.125W, SIP09, 8 *	1K
T....1	63.15.0001	1:1:1	T766,PULSE TRANSFORMER	
T....2	1.022.647.00	1:1.4	EP7,OUTPUT TRAF0 AES/EBU	ST
XF....1	53.03.0118		FUSE HOLDER	
XF....3	53.03.0118		FUSE HOLDER	
XIC...1	53.03.2268	PLCC68		
XIC...3	53.03.2268	PLCC68		
XIC...5	53.03.0182	DIL24-3		
XIC...6	53.03.0182	DIL24-3		
XIC...7	53.03.0165	DIL20		
XIC...8	53.03.0165	DIL20		
XIC..11	53.03.0182	DIL24-3		
XIC..12	53.03.0182	DIL24-3		
XIC..13	53.03.0165	DIL20		
XIC..14	53.03.0165	DIL20		
XIC..17	53.03.0167	DIL14	zusammen mit XIC 117 als DIL28-3 verwenden	
XIC.117	53.03.0167	DIL14	siehe XIC 17 ...	
XIC..18	53.03.0167	DIL14	zusammen mit XIC 118 als DIL28-3 verwenden	
XIC.118	53.03.0167	DIL14	siehe XIC 18 ...	
XIC..20	53.03.0165	DIL20		
XIC..21	53.03.0166	DIL08		
XIC..22	53.03.0165	DIL20		
XIC..32	53.03.0165	DIL20		
XIC..33	53.03.0182	DIL24-3		
XIC..36	53.03.2268	PLCC68		
XIC..41	53.03.0183	DIL22-4		
XIC..42	53.03.0183	DIL22-4		
XIC..45	53.03.0166	DIL08		
XIC..47	53.03.0165	DIL20		
XIC..49	53.03.0165	DIL20		
XIC..52	53.03.0167	DIL14	zusammen mit XIC 152 als DIL28-3 verwenden	
XIC.152	53.03.0167	DIL14	siehe XIC 52 ...	
XIC..54	53.03.0167	DIL14	zusammen mit XIC 154 als DIL28-3 verwenden	
XIC.154	53.03.0167	DIL14	siehe XIC 54 ...	
XIC..64	53.03.0168	DIL16		
XIC..65	53.03.0173	DIL28-6		
XIC..66	53.03.0173	DIL28-6		

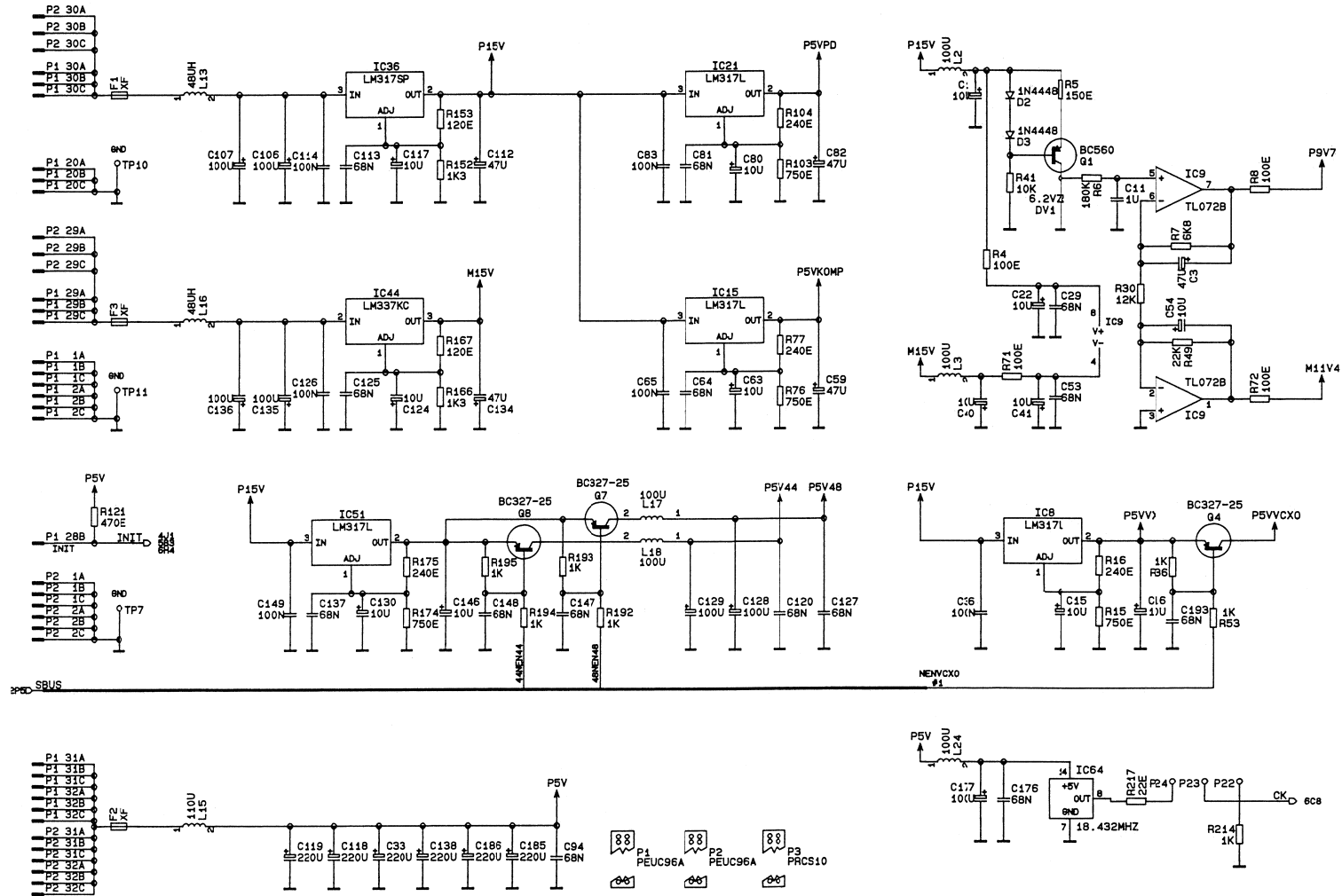
REMARKS:

MANUFACTURERS:  
ST = STUDER

ABBREVIATIONS:  
CER = CERAMIC / XIC = IC SOCKET / MF = METAL FILM

1.862.666.23 MADI-INTERFACE , ESE ML 94/03/1000

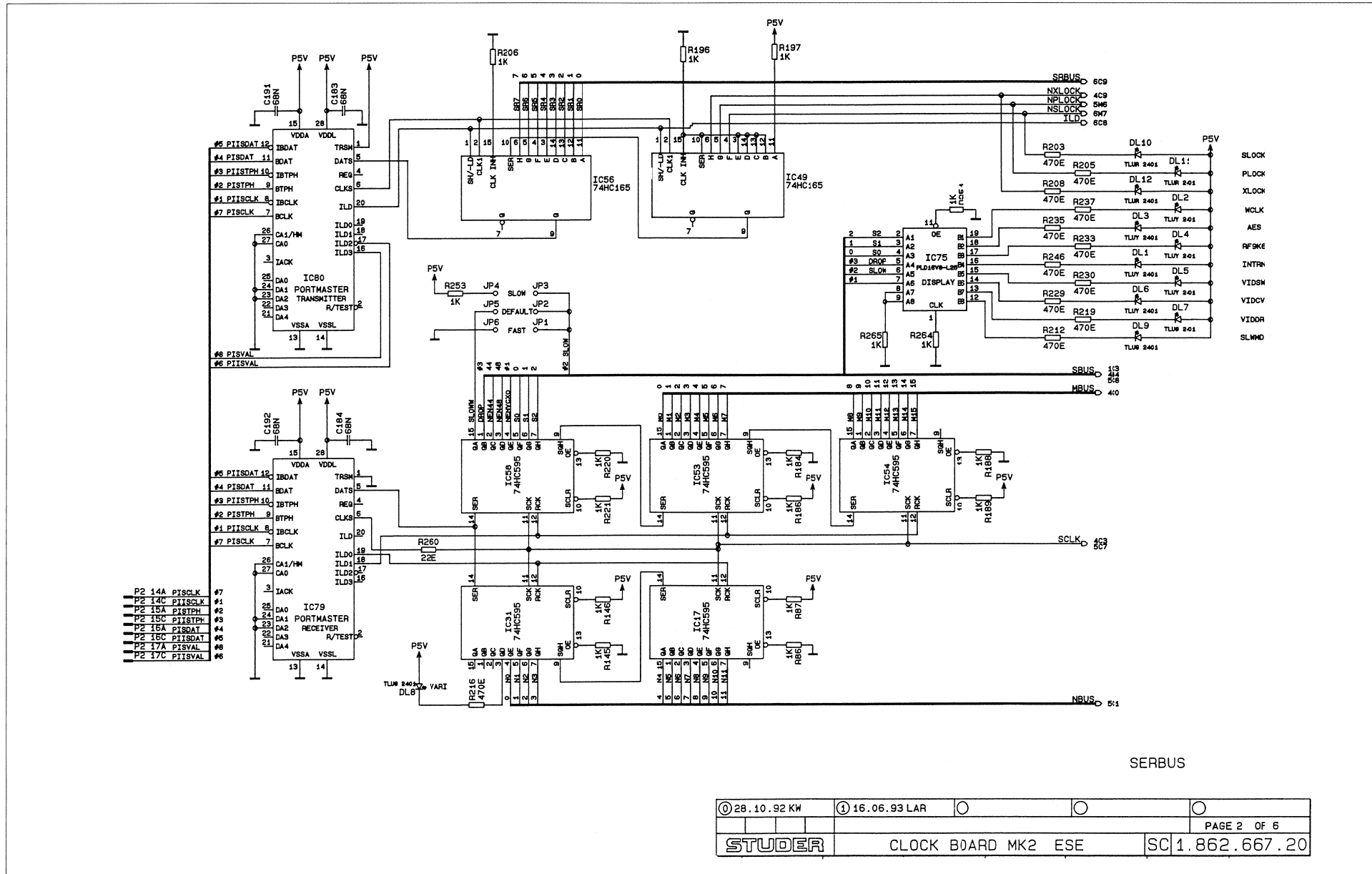
CLOCK BOARD MKII 1.862.667.20



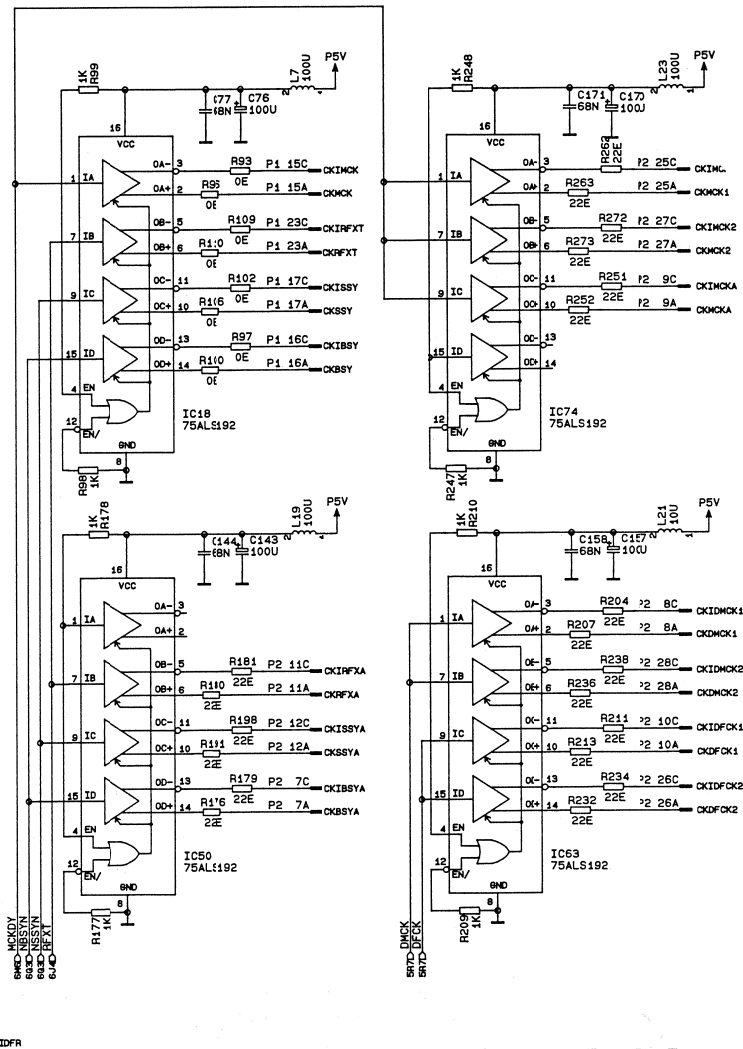
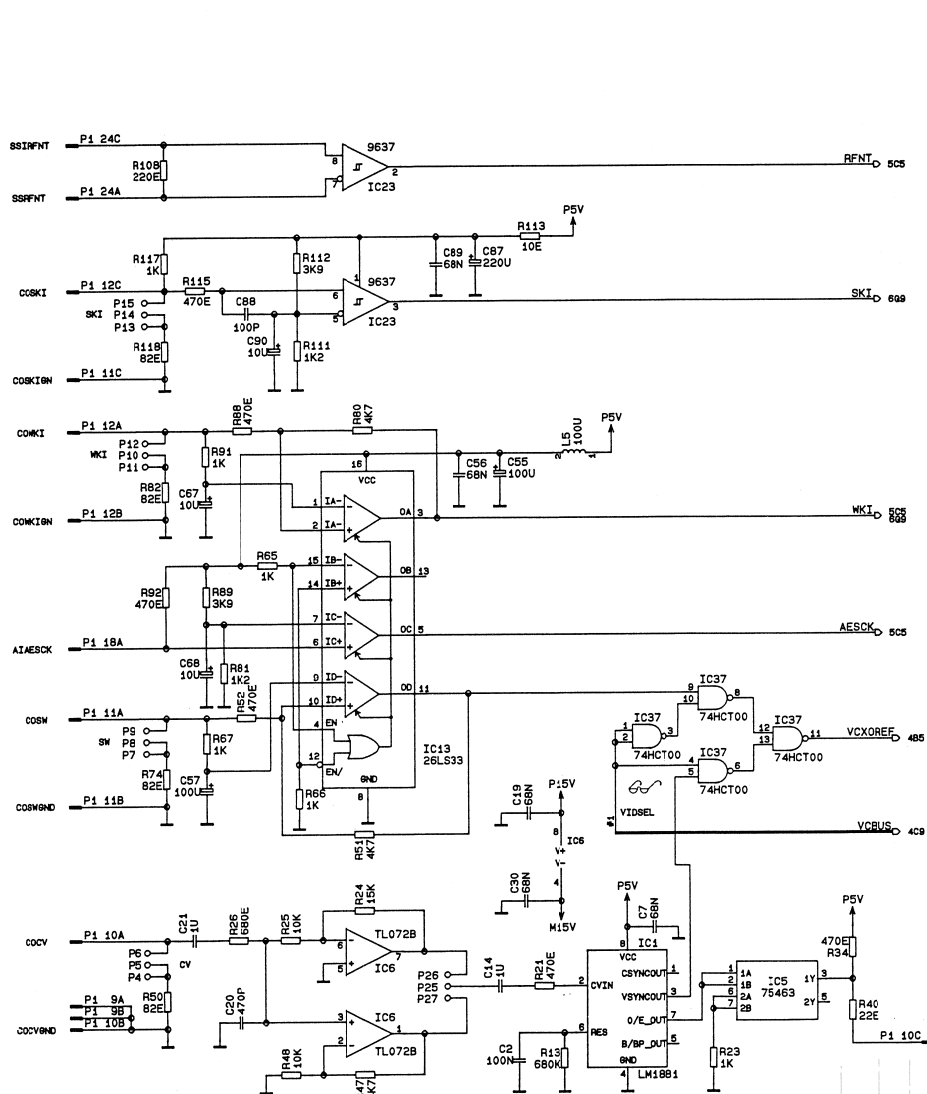
SUPPLY

① 28.10.92 KW	① 16.06.93 LA3	○	○	○
STUDER				CLOCK BOARD MK2, ESE
			SC 1.862.667.20	PAGE 1 OF 6

CLOCK BOARD MKII 1.862.667.20



CLOCK BOARD MKII 1.862.667.20

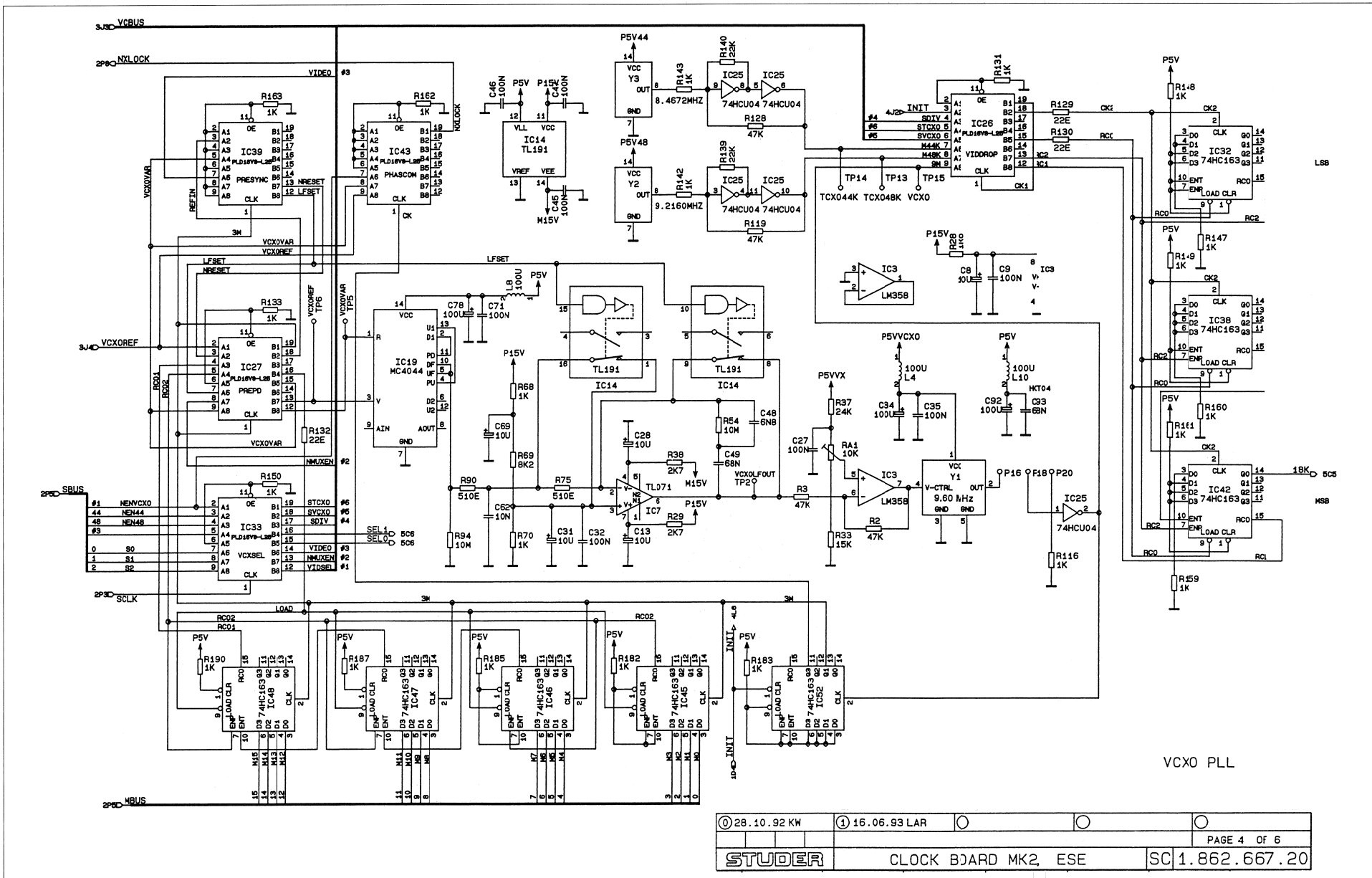


INPUT OUTPUT

① 28.10.92 KW	① 16.06.93 LAR	○	○	○
				PAGE 3 OF 6
STUDER		CLOCK BOARD MK2, ESE		SC 1.862.667.20

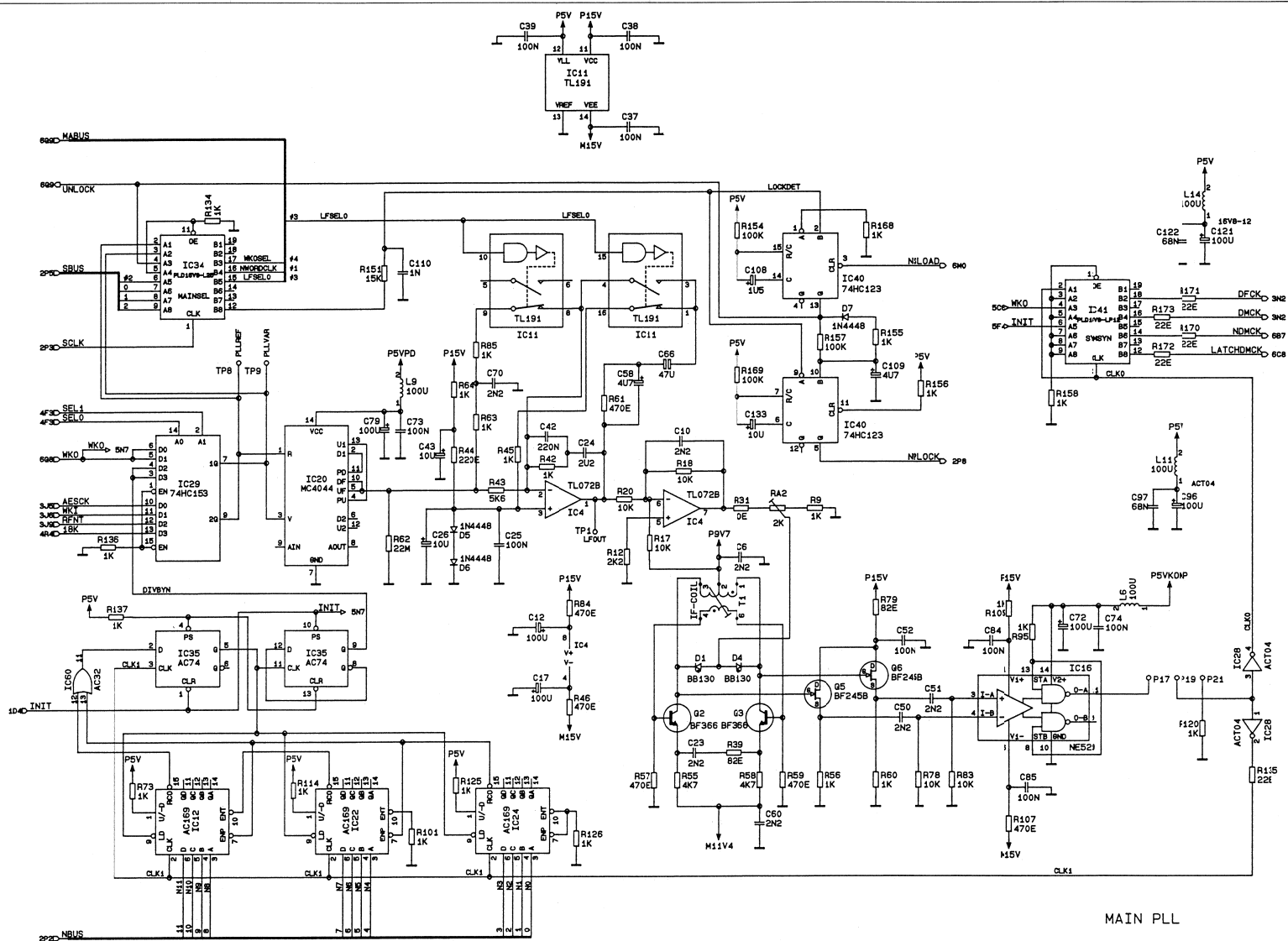


CLOCK BOARD MKII 1.862.667.20





CLOCK BOARD MKII 1.862.667.20

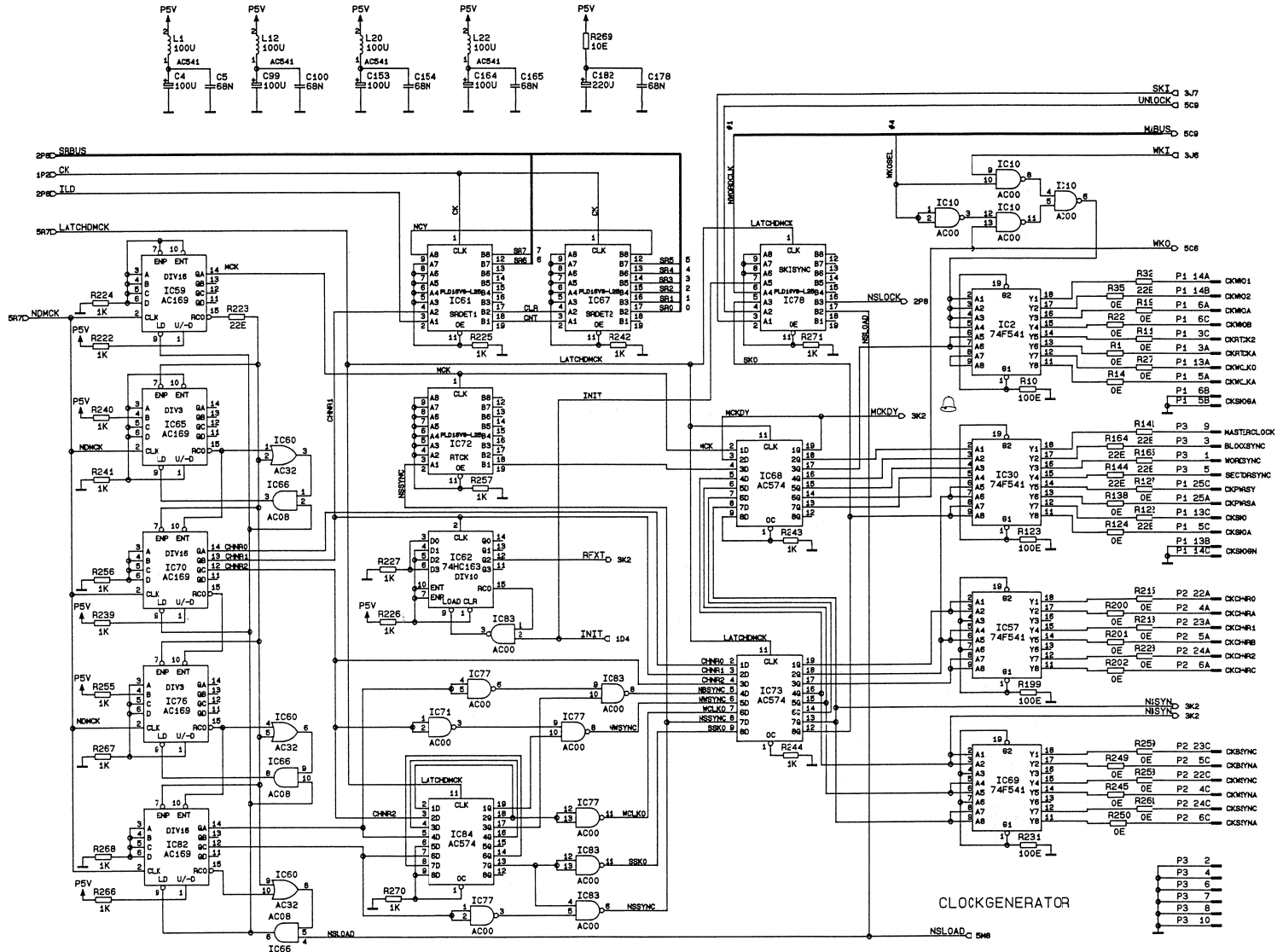


MAIN PLL

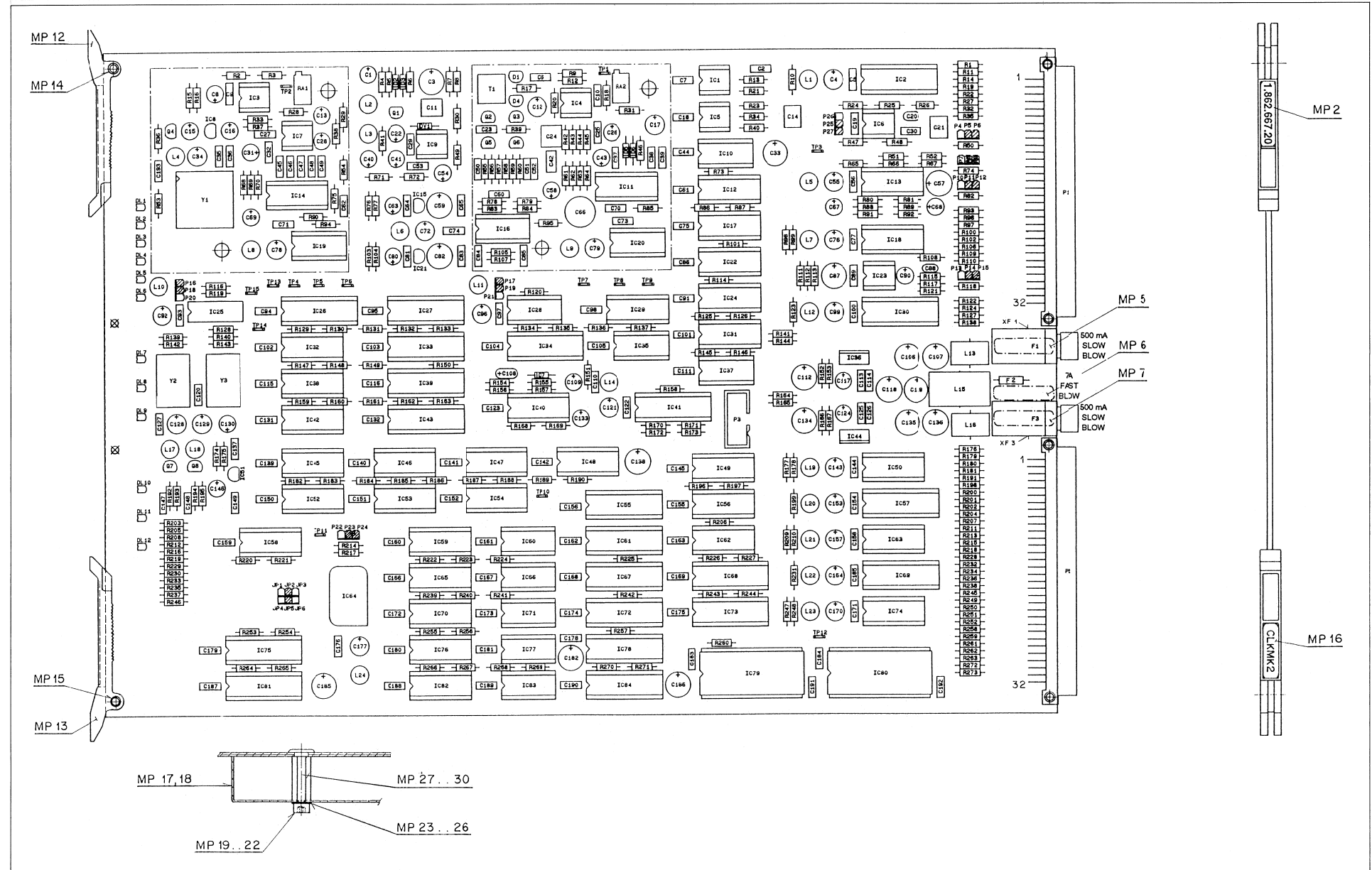
① 28.10.92 KW	① 16.06.93 LAF	○	○	○
STUDER			CLOCK BOARD MK2, ESE	SC 1.862.667.20
				PAGE 5 OF 6



CLOCK BOARD MKII 1.862.667.20



CLOCK BOARD MKII 1.862.667.20







CLOCK BOARD MKII 1.862.667.20

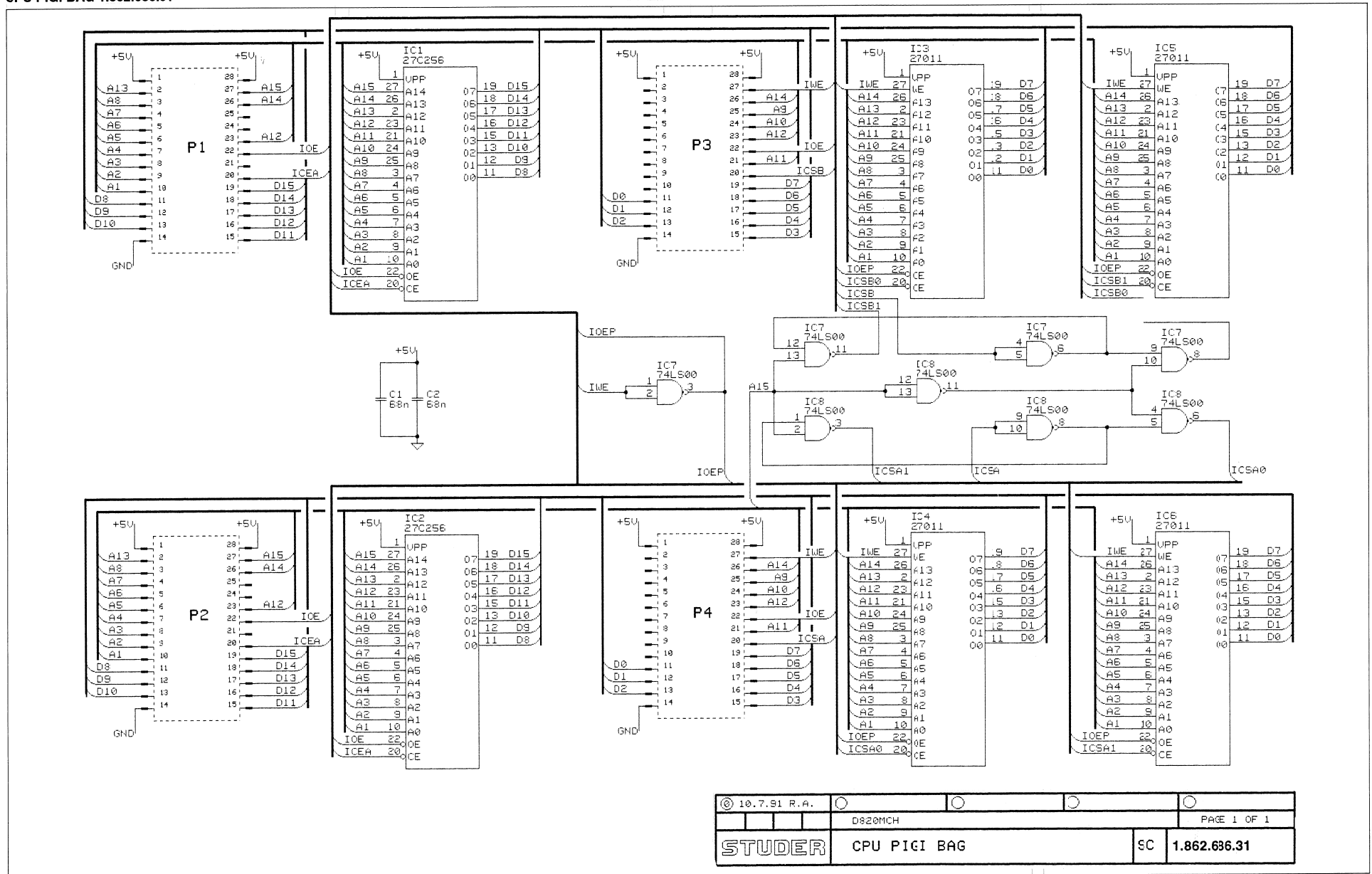
Ad	..POS.	..REF.No.	DESCRIPTION	MANUFACTURER	Ad	..POS.	..REF.No.	DESCRIPTION	MANUFACTURER
	P....10	54.01.0020	1-P STR., MALE, P-STRIP		R....61	57.11.3471	470E	1%, 0.6W	MF
	P....11	54.01.0020	1-P STR., MALE, P-STRIP		R....62	57.11.6226	22M	10%, 0.25W	MF
	P....12	54.01.0020	1-P STR., MALE, P-STRIP		R....63	57.11.3102	1k	1%, 0.6W	MF
	P....13	54.01.0020	1-P STR., MALE, P-STRIP		R....64	57.11.3102	1k	1%, 0.6W	MF
	P....14	54.01.0020	1-P STR., MALE, P-STRIP		R....65	57.11.3102	1k	1%, 0.6W	MF
	P....15	54.01.0020	1-P STR., MALE, P-STRIP		R....66	57.11.3102	1k	1%, 0.6W	MF
	P....16	54.01.0020	1-P STR., MALE, P-STRIP		R....67	57.11.3102	1k	1%, 0.6W	MF
	P....17	54.01.0020	1-P STR., MALE, P-STRIP		R....68	57.11.3102	1k	1%, 0.6W	MF
	P....18	54.01.0020	1-P STR., MALE, P-STRIP		R....69	57.11.3822	8k2	1%, 0.6W	MF
	P....19	54.01.0020	1-P STR., MALE, P-STRIP		R....70	57.11.3102	1k	1%, 0.6W	MF
	P....20	54.01.0020	1-P STR., MALE, P-STRIP		R....71	57.11.3101	100E	1%, 0.6W	MF
	P....21	54.01.0020	1-P STR., MALE, P-STRIP		R....72	57.11.3101	100E	1%, 0.6W	MF
	P....22	54.01.0020	1-P STR., MALE, P-STRIP		R....73	57.11.3102	1k	1%, 0.6W	MF
	P....23	54.01.0020	1-P STR., MALE, P-STRIP		R....74	57.11.3820	82E	1%, 0.6W	MF
	P....24	54.01.0020	1-P STR., MALE, P-STRIP		R....75	57.11.3511	510E	1%, 0.6W	MF
	P....25	54.01.0020	1-P STR., MALE, P-STRIP		R....76	57.11.3751	750E	1%, 0.6W	MF
	P....26	54.01.0020	1-P STR., MALE, P-STRIP		R....77	57.11.3241	240E	1%, 0.6W	MF
	P....27	54.01.0020	1-P STR., MALE, P-STRIP		R....78	57.11.3103	10k	1%, 0.6W	MF
	Q.....1	50.03.0496	BC560 PNP, T092-1		R....79	57.11.3820	82E	1%, 0.6W	MF
	Q.....2	50.03.0514	BF366 NPN, T092-2		R....80	57.11.3472	4k7	1%, 0.6W	MF
	Q.....3	50.03.0514	BF366 NPN, T092-2		R....81	57.11.3122	1k2	1%, 0.6W	MF
	Q.....4	50.03.0351	BC327-25 PNP, T092-1		R....82	57.11.3820	82E	1%, 0.6W	MF
	Q.....5	50.03.1100	BF2458 NFET, T092-8		R....83	57.11.3103	10k	1%, 0.6W	MF
	Q.....6	50.03.1100	BF2458 NFET, T092-8		R....84	57.11.3471	470E	1%, 0.6W	MF
	Q.....7	50.03.0351	BC327-25 PNP, T092-1		R....85	57.11.3102	1k	1%, 0.6W	MF
	Q.....8	50.03.0351	BC327-25 PNP, T092-1		R....86	57.11.3102	1k	1%, 0.6W	MF
	R....1	57.11.3220	22E 1%, 0.6W	MF	R....87	57.11.3102	1k	1%, 0.6W	MF
	R....2	57.11.3000	0E 1%, MF 0-OHM RES		R....88	57.11.3471	1k	1%, 0.6W	MF
	R....3	57.11.3473	47k 1%, 0.6W	MF	R....89	57.11.3392	3k9	1%, 0.6W	MF
	R....4	57.11.3473	47k 1%, 0.6W	MF	R....90	57.11.3511	510E	1%, 0.6W	MF
	R....5	57.11.3101	100E 1%, 0.6W	MF	R....91	57.11.3102	1k	1%, 0.6W	MF
	R....6	57.11.3151	150E 1%, 0.6W	MF	R....92	57.11.3471	470E	1%, 0.6W	MF
	R....7	57.11.3184	180k 1%, 0.6W	MF	R....93	57.11.3000	0E	1%, MF 0-OHM RES	
	R....8	57.11.3682	6k8 1%, 0.6W	MF	R....94	not used			
	R....9	57.11.3101	100E 1%, 0.6W	MF	R....95	57.11.3102	1k	1%, 0.6W	MF
	R....10	57.11.3332	3k3 1%, 0.6W	MF	R....96	57.11.3000	0E	1%, MF 0-OHM RES	
	R....11	57.11.3102	1k 1%, 0.6W	MF	R....97	57.11.3000	0E	1%, MF 0-OHM RES	
	R....12	57.11.3102	1k 1%, 0.6W	MF	R....98	57.11.3102	1k	1%, 0.6W	MF
	R....13	57.11.3102	1k 1%, 0.6W	MF	R....99	57.11.3102	1k	1%, 0.6W	MF
	R....14	57.11.3101	100E 1%, 0.6W	MF	R...100	57.11.3000	0E	1%, MF 0-OHM RES	
	R....15	57.11.3220	22E 1%, 0.6W	MF	R...101	57.11.3102	1k	1%, 0.6W	MF
	R....16	57.11.3000	0E 1%, MF 0-OHM RES		R...102	57.11.3000	0E	1%, MF 0-OHM RES	
	R....17	57.11.3222	2k2 1%, 0.6W	MF	R...103	57.11.3751	750E	1%, 0.6W	MF
	R....18	57.11.3684	680k 1%, 0.6W	MF	R...104	57.11.3241	240E	1%, 0.6W	MF
	R....19	57.11.3220	22E 1%, 0.6W	MF	R...105	57.11.3102	1k	1%, 0.6W	MF
	R....20	57.11.3000	0E 1%, MF 0-OHM RES		R...106	57.11.3000	0E	1%, MF 0-OHM RES	
	R....21	57.11.3751	750E 1%, 0.6W	MF	R...107	57.11.3471	470E	1%, 0.6W	MF
	R....22	57.11.3241	240E 1%, 0.6W	MF	R...108	57.11.3221	220E	1%, 0.6W	MF
	R....23	57.11.3103	10k 1%, 0.6W	MF	R...109	57.11.3000	0E	1%, MF 0-OHM RES	
	R....24	57.11.3220	22E 1%, 0.6W	MF	R...110	57.11.3000	0E	1%, MF 0-OHM RES	
	R....25	57.11.3000	0E 1%, MF 0-OHM RES		R...111	57.11.3122	1k2	1%, 0.6W	MF
	R....26	57.11.3102	1k 1%, 0.6W	MF	R...112	57.11.3392	3k9	1%, 0.6W	MF
	R....27	57.11.3102	1k 1%, 0.6W	MF	R...113	57.11.3220	22E	1%, 0.6W	MF
	R....28	57.11.3101	100E 1%, 0.6W	MF	R...114	57.11.3102	1k	1%, 0.6W	MF
	R....29	57.11.3000	0E 1%, MF 0-OHM RES		R...115	57.11.3471	470E	1%, 0.6W	MF
	R....30	57.11.3103	10k 1%, 0.6W	MF	R...116	57.11.3102	1k	1%, 0.6W	MF
	R....31	57.11.3471	470E 1%, 0.6W	MF	R...117	57.11.3102	1k	1%, 0.6W	MF
	R....32	57.11.3220	22E 1%, 0.6W	MF	R...118	57.11.3820	82E	1%, 0.6W	MF
	R....33	57.11.3000	0E 1%, MF 0-OHM RES		R...119	57.11.3473	47k	1%, 0.6W	MF
	R....34	57.11.3102	1k 1%, 0.6W	MF	R...120	57.11.3102	1k	1%, 0.6W	MF
	R....35	57.11.3153	15k 1%, 0.6W	MF	R...121	57.11.3471	470E	1%, 0.6W	MF
	R....36	57.11.3103	10k 1%, 0.6W	MF	R...122	57.11.3220	22E	1%, 0.6W	MF
	R....37	57.11.3681	680E 1%, 0.6W	MF	R...123	57.11.3102	1k	1%, 0.6W	MF
	R....38	57.11.3000	0E 1%, MF 0-OHM RES		R...124	57.11.3101	100E	1%, 0.6W	MF
	R....39	57.11.3182	1k8 1%, 0.6W	MF	R...125	57.11.3220	22E	1%, 0.6W	MF
	R....40	57.11.3272	2k7 1%, 0.6W	MF	R...126	57.11.3102	1k	1%, 0.6W	MF
	R....41	57.11.3123	12k 1%, 0.6W	MF	R...127	57.11.3220	22E	1%, 0.6W	MF
	R....42	57.11.3681	680E 1%, 0.6W	MF	R...128	57.11.3000	0E	1%, MF 0-OHM RES	
	R....43	57.11.3000	0E 1%, MF 0-OHM RES		R...129	57.11.3473	47k	1%, 0.6W	MF
	R....44	57.11.3220	22E 1%, 0.6W	MF	R...130	57.11.3220	22E	1%, 0.6W	MF
	R....45	57.11.3153	15k 1%, 0.6W	MF	R...131	57.11.3102	1k	1%, 0.6W	MF
	R....46	57.11.3102	1k 1%, 0.6W	MF	R...132	57.11.3220	22E	1%, 0.6W	MF
	R....47	57.11.3471	470E 1%, 0.6W	MF	R...133	57.11.3102	1k	1%, 0.6W	MF
	R....48	57.11.3272	2k7 1%, 0.6W	MF	R...134	57.11.3102	1k	1%, 0.6W	MF
	R....49	57.11.3820	82E 1%, 0.6W	MF	R...135	57.11.3220	22E	1%, 0.6W	MF
	R....50	57.11.3102	1k 1%, 0.6W	MF	R...136	57.11.3102	1k	1%, 0.6W	MF
	R....51	57.11.3472	4k7 1%, 0.6W	MF	R...137	57.11.3102	1k	1%, 0.6W	MF
	R....52	57.11.3102	1k 1%, 0.6W	MF	R...138	57.11.3220	22E	1%, 0.6W	MF
	R....53	57.11.5106	10M 5%, 0.4W	MF	R...139	57.11.3000	0E	1%, MF 0-OHM RES	
	R....54	57.11.3472	4k7 1%, 0.6W	MF	R...140	57.11.3223	22k	1%, 0.6W	MF
	R....55	57.11.3102	1k 1%, 0.6W	MF	R...141	57.11.3220	22E	1%, 0.6W	MF
	R....56	57.11.3471	470E 1%, 0.6W	MF	R...142	57.11.3102	1k	1%, 0.6W	MF
	R....57	57.11.3472	4k7 1%, 0.6W	MF	R...143	57.11.3102	1k	1%, 0.6W	MF
	R....58	57.11.3471	470E 1%, 0.6W	MF	R...144	57.11.3220	22E	1%, 0.6W	MF
	R....59	57.11.3471	470E 1%, 0.6W	MF	R...145	57.11.3102	1k	1%, 0.6W	MF
	R....60	57.11.3102	1k 1%, 0.6W	MF	R...146	57.11.3102	1k	1%, 0.6W	MF
	R....61	57.11.3153	15k 1%, 0.6W	MF	R...147	57.11.3102	1k	1%, 0.6W	MF
	R....62	57.11.3132	1k3 1%, 0.6W	MF	R...148	57.11.3102	1k	1%, 0.6W	MF
	R....63	57.11.3102	1k 1%, 0.6W	MF	R...149	57.11.3102	1k	1%, 0.6W	MF
	R....64	57.11.3102	1k 1%, 0.6W	MF	R...150	57.11.3102	1k	1%, 0.6W	MF
	R....65	57.11.3102	1k 1%, 0.6W	MF	R...151	57.11.3153	15k	1%, 0.6W	MF
	R....66	57.11.3102	1k 1%, 0.6W	MF	R...152	57.11.3132	1k3	1%, 0.6W	MF



CLOCK BOARD MKII 1.862.667.20

Ad	..POS..	..REF.No..	DESCRIPTION.....	MANUFACTURER	Ad	..POS..	..REF.No..	DESCRIPTION.....	MANUFACTURER
	R...153	57.11.3121	120E	1 1/2, 0.6W, MF		R...245	57.11.3220	22E	1 1/2, 0.6W, MF
	R...154	57.11.3104	100k	1 1/2, 0.6W, MF	01	R...245	57.11.3000	0E	1 1/2, MF 0-OHM RES
	R...155		not used			R...246	57.11.3471	470E	1 1/2, 0.6W, MF
	R...156	57.11.3102	1k	1 1/2, 0.6W, MF		R...247	57.11.3102	1k	1 1/2, 0.6W, MF
	R...157	57.11.3104	100k	1 1/2, 0.6W, MF		R...248	57.11.3102	1k	1 1/2, 0.6W, MF
	R...158	57.11.3102	1k	1 1/2, 0.6W, MF		R...249	57.11.3220	22E	1 1/2, 0.6W, MF
	R...159	57.11.3102	1k	1 1/2, 0.6W, MF	01	R...249	57.11.3000	0E	1 1/2, MF 0-OHM RES
	R...160	57.11.3102	1k	1 1/2, 0.6W, MF		R...250	57.11.3220	22E	1 1/2, 0.6W, MF
					01	R...250	57.11.3000	0E	1 1/2, MF 0-OHM RES
	R...161	57.11.3102	1k	1 1/2, 0.6W, MF		R...251	57.11.3220	22E	1 1/2, 0.6W, MF
	R...162	57.11.3102	1k	1 1/2, 0.6W, MF		R...252	57.11.3220	22E	1 1/2, 0.6W, MF
	R...163	57.11.3102	1k	1 1/2, 0.6W, MF		R...253	57.11.3102	1k	1 1/2, 0.6W, MF
	R...164	57.11.3220	22E	1 1/2, 0.6W, MF		R...254	57.11.3102	1k	1 1/2, 0.6W, MF
	R...165	57.11.3220	22E	1 1/2, 0.6W, MF		R...255	57.11.3102	1k	1 1/2, 0.6W, MF
	R...166	57.11.3132	1k3	1 1/2, 0.6W, MF		R...256	57.11.3102	1k	1 1/2, 0.6W, MF
	R...167	57.11.3121	120E	1 1/2, 0.6W, MF		R...257	57.11.3102	1k	1 1/2, 0.6W, MF
	R...168	57.11.3102	1k	1 1/2, 0.6W, MF		R...258	57.11.3000	0E	1 1/2, MF 0-OHM RES
	R...169	57.11.3104	100k	1 1/2, 0.6W, MF		R...259	57.11.3000	0E	1 1/2, MF 0-OHM RES
	R...170	57.11.3220	22E	1 1/2, 0.6W, MF		R...260	57.11.3220	22E	1 1/2, 0.6W, MF
	R...171	57.11.3220	22E	1 1/2, 0.6W, MF		R...261	57.11.3000	0E	1 1/2, MF 0-OHM RES
	R...172	57.11.3220	22E	1 1/2, 0.6W, MF		R...262	57.11.3220	22E	1 1/2, 0.6W, MF
	R...173	57.11.3220	22E	1 1/2, 0.6W, MF		R...263	57.11.3220	22E	1 1/2, 0.6W, MF
	R...174	57.11.3751	750E	1 1/2, 0.6W, MF		R...264	57.11.3102	1k	1 1/2, 0.6W, MF
	R...175	57.11.3241	240E	1 1/2, 0.6W, MF		R...265	57.11.3102	1k	1 1/2, 0.6W, MF
	R...176	57.11.3220	22E	1 1/2, 0.6W, MF		R...266	57.11.3102	1k	1 1/2, 0.6W, MF
	R...177	57.11.3102	1k	1 1/2, 0.6W, MF		R...267	57.11.3102	1k	1 1/2, 0.6W, MF
	R...178	57.11.3102	1k	1 1/2, 0.6W, MF		R...268	57.11.3102	1k	1 1/2, 0.6W, MF
	R...179	57.11.3220	22E	1 1/2, 0.6W, MF		R...269	57.11.3220	22E	1 1/2, 0.6W, MF
	R...180	57.11.3220	22E	1 1/2, 0.6W, MF	01	R...269	57.11.3100	10E	1 1/2, 0.6W, MF
	R...181	57.11.3220	22E	1 1/2, 0.6W, MF		R...270	57.11.3102	1k	1 1/2, 0.6W, MF
	R...182	57.11.3102	1k	1 1/2, 0.6W, MF		R...271	57.11.3102	1k	1 1/2, 0.6W, MF
	R...183	57.11.3102	1k	1 1/2, 0.6W, MF		R...272	57.11.3220	22E	1 1/2, 0.6W, MF
	R...184	57.11.3102	1k	1 1/2, 0.6W, MF		R...273	57.11.3220	22E	1 1/2, 0.6W, MF
	R...185	57.11.3102	1k	1 1/2, 0.6W, MF		RA...1	58.05.0103	10k	10 1/2, 0.5W, SCREW HORIZ.
	R...186	57.11.3102	1k	1 1/2, 0.6W, MF		RA...2	58.05.0202	2k	10 1/2, 0.5W, SCREW HORIZ.
	R...187	57.11.3102	1k	1 1/2, 0.6W, MF		T....1	1.726.250.21		1.726.250.21,, P27031, IF-COIL 3.1
	R...188	57.11.3102	1k	1 1/2, 0.6W, MF		TP...1	54.02.0320	1-P	STR., MALE, FLATPIN 2.8*0.8
	R...189	57.11.3102	1k	1 1/2, 0.6W, MF		TP...2	54.02.0320	1-P	STR., MALE, FLATPIN 2.8*0.8
	R...190	57.11.3102	1k	1 1/2, 0.6W, MF		TP...3	54.02.0320	1-P	STR., MALE, FLATPIN 2.8*0.8
	R...191	57.11.3220	22E	1 1/2, 0.6W, MF		TP...4	54.02.0320	1-P	STR., MALE, FLATPIN 2.8*0.8
	R...192	57.11.3102	1k	1 1/2, 0.6W, MF		TP...5	54.02.0320	1-P	STR., MALE, FLATPIN 2.8*0.8
	R...193	57.11.3102	1k	1 1/2, 0.6W, MF		TP...6	54.02.0320	1-P	STR., MALE, FLATPIN 2.8*0.8
	R...194	57.11.3102	1k	1 1/2, 0.6W, MF		TP...7	54.02.0320	1-P	STR., MALE, FLATPIN 2.8*0.8
	R...195	57.11.3102	1k	1 1/2, 0.6W, MF		TP...8	54.02.0320	1-P	STR., MALE, FLATPIN 2.8*0.8
	R...196	57.11.3102	1k	1 1/2, 0.6W, MF		TP...9	54.02.0320	1-P	STR., MALE, FLATPIN 2.8*0.8
	R...197	57.11.3102	1k	1 1/2, 0.6W, MF		TP...10	54.02.0320	1-P	STR., MALE, FLATPIN 2.8*0.8
	R...198	57.11.3220	22E	1 1/2, 0.6W, MF		TP...11	54.02.0320	1-P	STR., MALE, FLATPIN 2.8*0.8
	R...199	57.11.3102	1k	1 1/2, 0.6W, MF		TP...12	54.02.0320	1-P	STR., MALE, FLATPIN 2.8*0.8
	R...199	57.11.3101	100E	1 1/2, 0.6W, MF		TP...13	54.02.0320	1-P	STR., MALE, FLATPIN 2.8*0.8
	R...200	57.11.3220	22E	1 1/2, 0.6W, MF		TP...14	54.02.0320	1-P	STR., MALE, FLATPIN 2.8*0.8
	R...200	57.11.3000	0E	1 1/2, MF 0-OHM RES		TP...15	54.02.0320	1-P	STR., MALE, FLATPIN 2.8*0.8
	R...201	57.11.3220	22E	1 1/2, 0.6W, MF		XF...1	53.03.0118		FUSE HOLDER
01	R...201	57.11.3000	0E	1 1/2, MF 0-OHM RES		XF...3	53.03.0118		FUSE HOLDER
	R...202	57.11.3220	22E	1 1/2, 0.6W, MF		XIC...2	53.03.0165		DIL20
01	R...202	57.11.3000	0E	1 1/2, MF 0-OHM RES		XIC...5	53.03.0166		DIL08
	R...203	57.11.3471	470E	1 1/2, 0.6W, MF		XIC...6	53.03.0166		DIL08
	R...204	57.11.3220	22E	1 1/2, 0.6W, MF		XIC...13	53.03.0168		DIL16
	R...205	57.11.3471	470E	1 1/2, 0.6W, MF		XIC...18	53.03.0168		DIL16
	R...206	57.11.3102	1k	1 1/2, 0.6W, MF		XIC...23	53.03.0166		DIL08
	R...207	57.11.3220	22E	1 1/2, 0.6W, MF		XIC...26	53.03.0165		DIL20
	R...208	57.11.3471	470E	1 1/2, 0.6W, MF		XIC...27	53.03.0165		DIL20
	R...209	57.11.3102	1k	1 1/2, 0.6W, MF		XIC...30	53.03.0165		DIL20
	R...210	57.11.3102	1k	1 1/2, 0.6W, MF		XIC...33	53.03.0165		DIL20
	R...211	57.11.3220	22E	1 1/2, 0.6W, MF		XIC...34	53.03.0165		DIL20
	R...212	57.11.3471	470E	1 1/2, 0.6W, MF		XIC...39	53.03.0165		DIL20
	R...213	57.11.3220	22E	1 1/2, 0.6W, MF		XIC...41	53.03.0165		DIL20
	R...214	57.11.3102	1k	1 1/2, 0.6W, MF		XIC...43	53.03.0165		DIL20
	R...215	57.11.3000	0E	1 1/2, MF 0-OHM RES		XIC...50	53.03.0168		DIL16
	R...216	57.11.3471	470E	1 1/2, 0.6W, MF		XIC...57	53.03.0165		DIL20
	R...217	57.11.3220	22E	1 1/2, 0.6W, MF		XIC...61	53.03.0165		DIL20
	R...218	57.11.3000	0E	1 1/2, MF 0-OHM RES		XIC...63	53.03.0168		DIL16
	R...219	57.11.3471	470E	1 1/2, 0.6W, MF		XIC...67	53.03.0165		DIL20
	R...220	57.11.3102	1k	1 1/2, 0.6W, MF		XIC...69	53.03.0165		DIL20
	R...221	57.11.3102	1k	1 1/2, 0.6W, MF		XIC...72	53.03.0165		DIL20
	R...222	57.11.3102	1k	1 1/2, 0.6W, MF		XIC...74	53.03.0168		DIL16
	R...223	57.11.3220	22E	1 1/2, 0.6W, MF		XIC...75	53.03.0165		DIL20
	R...224	57.11.3102	1k	1 1/2, 0.6W, MF		XIC...78	53.03.0165		DIL20
	R...225	57.11.3102	1k	1 1/2, 0.6W, MF		XIC...79	53.03.0173		DIL28-6
	R...226	57.11.3102	1k	1 1/2, 0.6W, MF		XIC...80	53.03.0173		DIL28-6
	R...227	57.11.3102	1k	1 1/2, 0.6W, MF		Y.....1	89.01.1508		9.5900MHZ VCXO VOL. CONTR. OSCI
	R...228	57.11.3000	0E	1 1/2, MF 0-OHM RES	01	Y.....1	89.01.1509		9.6000MHZ VCXO VOL. CONTR. OSCI
	R...229	57.11.3471	470E	1 1/2, 0.6W, MF		Y.....2	89.01.1812		9.2160MHZ XTAL-OSCILLATOR
	R...230	57.11.3471	470E	1 1/2, 0.6W, MF		Y.....3	89.01.1811		8.4672MHZ XTAL-OSCILLATOR
	R...231	57.11.3102	1k	1 1/2, 0.6W, MF					1.862.667.20 CLOCK BOARD MK2 , ESE
	R...231	57.11.3101	100E	1 1/2, 0.6W, MF					LAR92/12/1500
	R...232	57.11.3220	22E	1 1/2, 0.6W, MF					1.862.667.20 CLOCK BOARD MK2 , ESE
	R...233	57.11.3471	470E	1 1/2, 0.6W, MF					LAR93/06/1601
	R...234	57.11.3220	22E	1 1/2, 0.6W, MF					
	R...235	57.11.3471	470E	1 1/2, 0.6W, MF					
	R...236	57.11.3220	22E	1 1/2, 0.6W, MF					
	R...237	57.11.3471	470E	1 1/2, 0.6W, MF					
	R...238	57.11.3220	22E	1 1/2, 0.6W, MF					
	R...239	57.11.3102	1k	1 1/2, 0.6W, MF					
	R...240	57.11.3102	1k	1 1/2, 0.6W, MF					
	R...241	57.11.3102	1k	1 1/2, 0.6W, MF					
	R...242	57.11.3102	1k	1 1/2, 0.6W, MF					
	R...243	57.11.3102	1k	1 1/2, 0.6W, MF					
	R...244	57.11.3102	1k	1 1/2, 0.6W, MF					

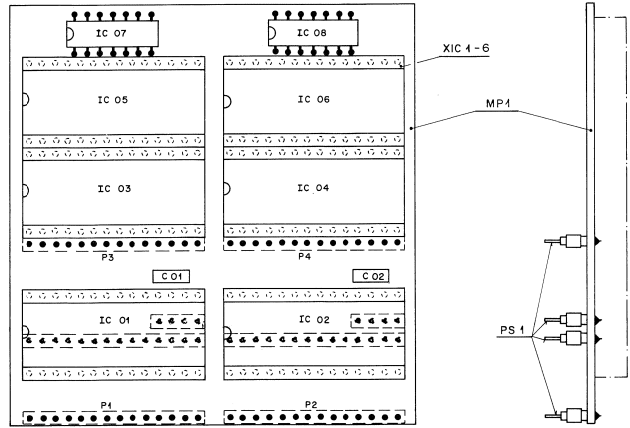
CPU PIGI BAG 1.862.686.31



© 10.7.91 R.A.				
	D820MCH			PAGE 1 OF 1
<b>STUDER</b>	<b>CPU PIGI BAG</b>	<b>SC</b>	<b>1.862.686.31</b>	



CPU PIGI BAG 1.862.686.31



Approved					
Checked					
Date	19 5 89				
Code					

STUDER REGENSBERG ZÜRICH	Bezeichnung <b>CPU-PIGGI-BACK ESE</b>	Nummer: <b>1.862.686.31</b>
--------------------------------	--	--------------------------------

Ad	POS.	REF.No	DESCRIPTION	MANUFACTURER
C...	1	59.06.0683	68 nF 10%, 63V, PETP	ANY
C...	2	59.06.0683	68 nF 10%, 63V, PETP	ANY
IC...	1	50.14.2004	HN 27 C256 G - 25 (SN 1.862.924.20)	ANY
IC...	2	50.14.2004	HN 27 C256 G - 25 (SN 1.862.925.20)	ANY
IC...	3	50.14.2006	27011 DIL 28 (SN 1.862.926.31)	ANY
IC...	4	50.14.2006	27011 DIL 28 (SN 1.862.926.31)	ANY
IC...	5	50.14.2006	27011 DIL 28 (SN 1.862.926.31)	ANY
IC...	6	50.14.2006	27011 DIL 28 (SN 1.862.926.31)	ANY
IC...	7	50.06.0000	SN 74 LS 00 N	ANY
IC...	8	50.06.0000	SN 74 LS 00 N	ANY
MP...	1	1.862.686.11	CPU-PIGGI-BACK PCB	St
MP...	2	1.862.686.01	NR-ETIKETTE 5 * 20	St
MP...	3	43.01.0108	ESE-WARNSCHILD	ANY
MP...	4	1.101.001.20	ETIKETTE 5 * 20 HARDWARE	St
PS...	1	53.03.0252	STIFTLEISTE **** QTY 92 *****	ANY
XIC...	1	53.03.0173	DIL 28-POL	ANY
XIC...	2	53.03.0173	DIL 28-POL	ANY
XIC...	3	53.03.0173	DIL 28-POL	ANY
XIC...	4	53.03.0173	DIL 28-POL	ANY
XIC...	5	53.03.0173	DIL 28-POL	ANY
XIC...	6	53.03.0173	DIL 28-POL	ANY

REMARKS:

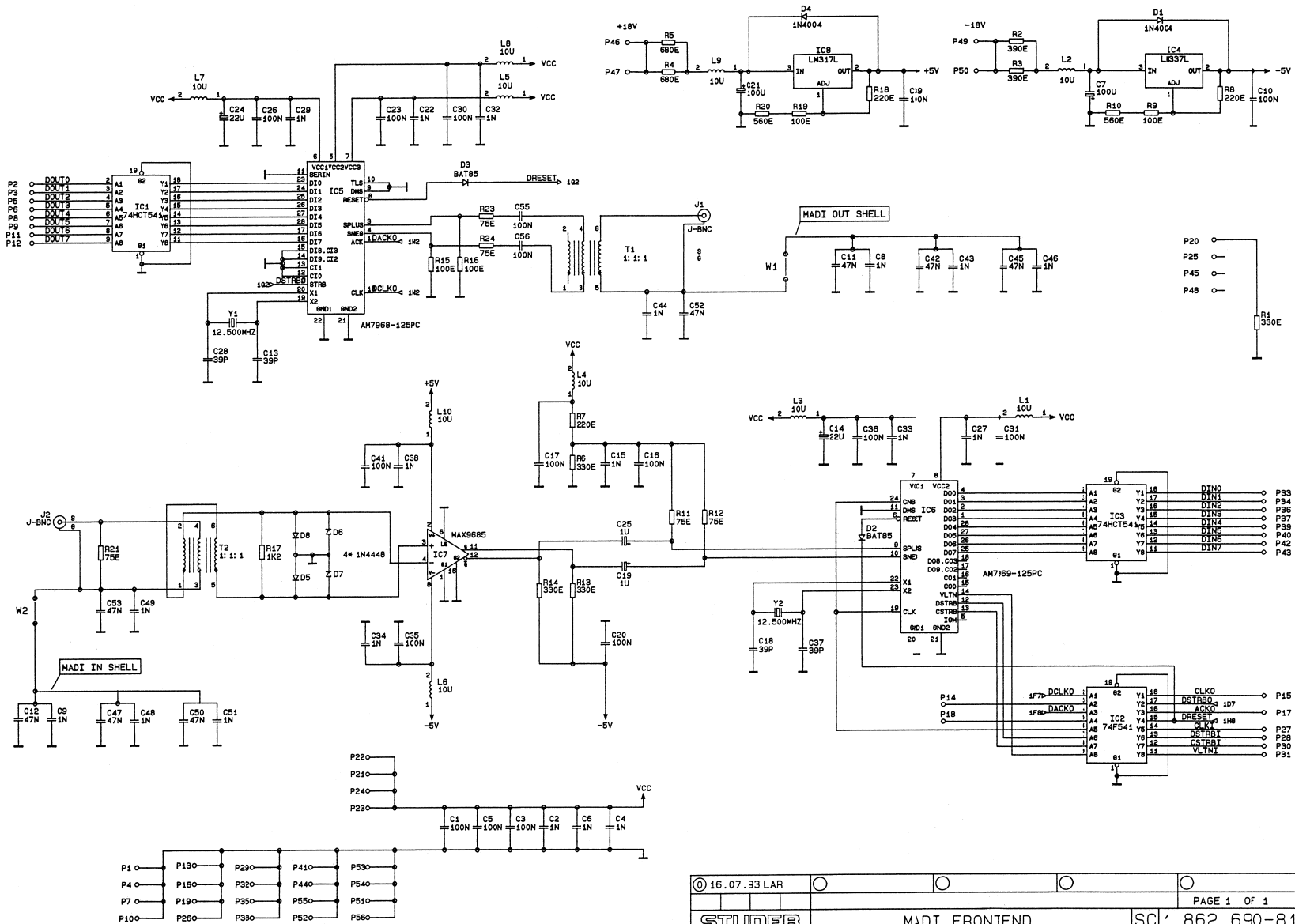
MANUFACTURERS: St = STUDER, Ph = PHILLIPS, Bb = BURR BROWN, Ha = HARRIS

ABBREVIATIONS: CER = CERAMIC / FILM = FILM TYPE / XF = CLAMP FOR FUSES / XIC = IC SOCKET

1.862.686.31 CPU-PIGGI-BACK, ESE M194/06/17



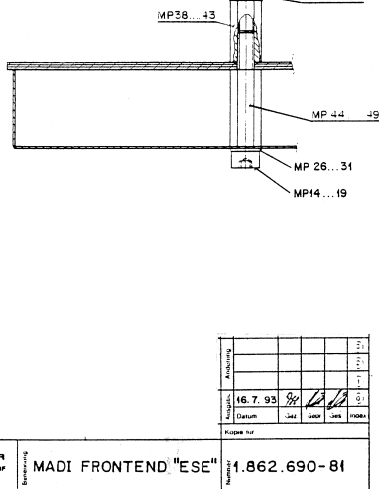
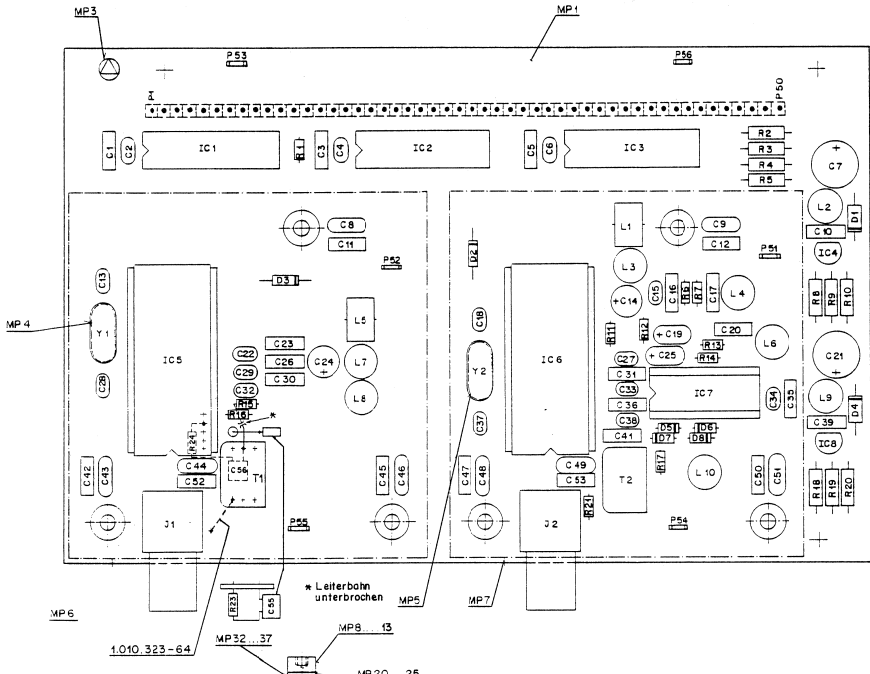
MADI FRONTEND 1.862.690.81



© 16.07.93 LAR					PAGE 1 OF 1
STUDER			MADI FRONTEND		SC 1.862.690-81

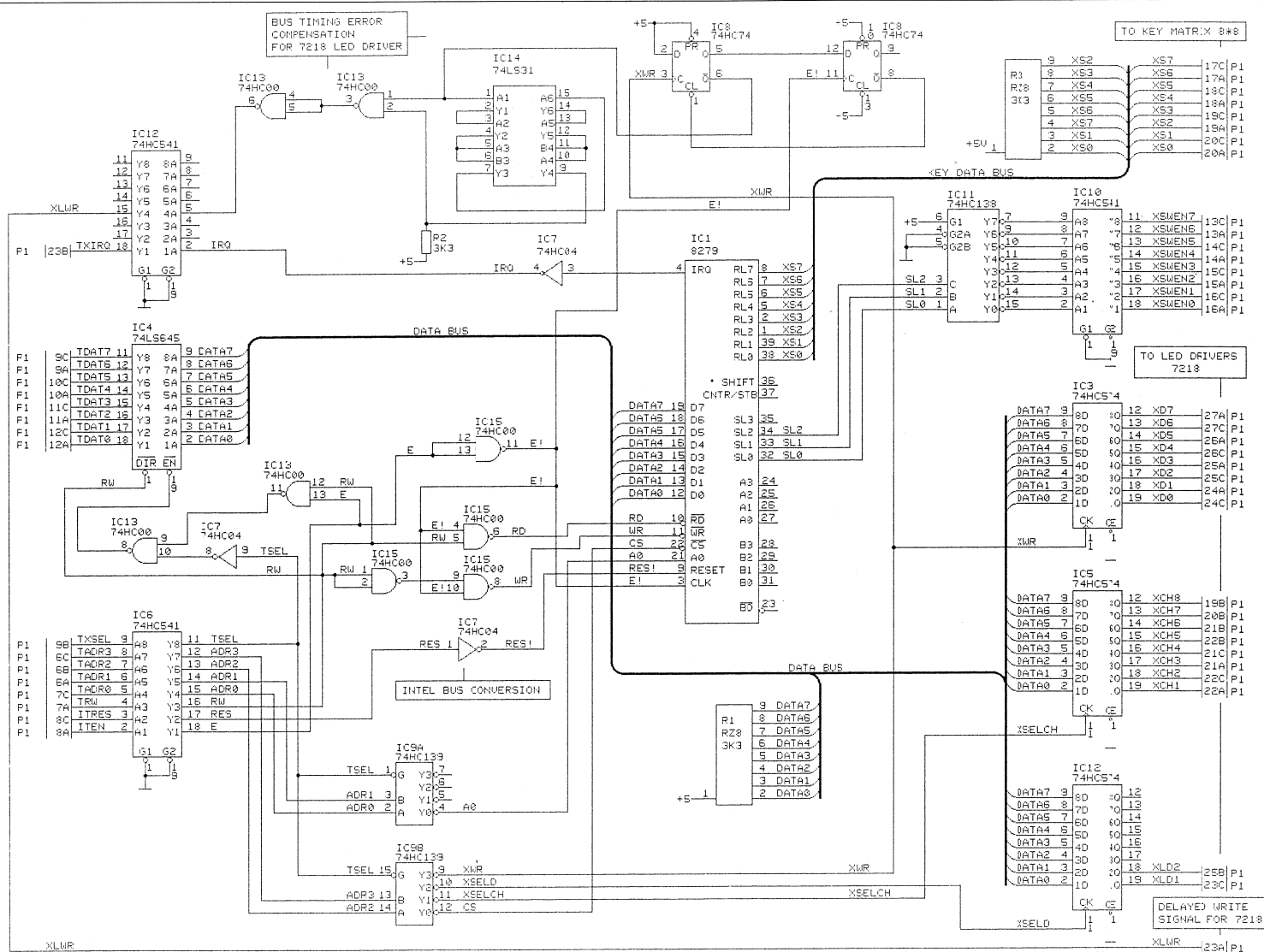


MADI FRONTEND 1.862.690.81



Ad	..POS.	..REF.No.	DESCRIPTION	MANUFACTURER	Ad	..POS.	..REF.No.	DESCRIPTION	MANUFACTURER
C....41	59.06.0104	100n	10 %, 63V		P....1	53.03.0252	1-P	MALE, AU 12MH	
C....42	59.06.0473	47n	10 %, 63V		P....2	53.03.0252	1-P	MALE, AU 12MH	
C....43	59.32.4102	1n	20 %, 50V		P....3	53.03.0252	1-P	MALE, AU 12MH	
C....44	59.32.4102	1n	20 %, 50V		P....4	53.03.0252	1-P	MALE, AU 12MH	
C....45	59.06.0473	47n	10 %, 63V		P....5	53.03.0252	1-P	MALE, AU 12MH	
C....46	59.32.4102	1n	20 %, 50V		P....6	53.03.0252	1-P	MALE, AU 12MH	
C....47	59.06.0473	47n	10 %, 63V		P....7	53.03.0252	1-P	MALE, AU 12MH	
C....48	59.32.4102	1n	20 %, 50V		P....8	53.03.0252	1-P	MALE, AU 12MH	
C....49	59.32.4102	1n	20 %, 50V		P....9	53.03.0252	1-P	MALE, AU 12MH	
C....50	59.06.0473	47n	10 %, 63V		P....10	53.03.0252	1-P	MALE, AU 12MH	
C....51	59.32.4102	1n	20 %, 50V		P....11	53.03.0252	1-P	MALE, AU 12MH	
C....52	59.06.0473	47n	10 %, 63V		P....12	53.03.0252	1-P	MALE, AU 12MH	
C....53	59.06.0473	47n	10 %, 63V		P....13	53.03.0252	1-P	MALE, AU 12MH	
C....54	59.06.0104	100n	10 %, 63V		P....14	53.03.0252	1-P	MALE, AU 12MH	
C....55	59.06.0104	100n	10 %, 63V		P....15	53.03.0252	1-P	MALE, AU 12MH	
C....56	59.06.0104	100n	10 %, 63V		P....16	53.03.0252	1-P	MALE, AU 12MH	
B...1	50.04.0105	1M4004	0041, RECTIFIER		P....17	53.03.0252	1-P	MALE, AU 12MH	
B...2	50.04.0127	BAT85	006, SCHOTTKY		P....18	53.03.0252	1-P	MALE, AU 12MH	
B...3	50.04.0127	BAT85	006, SCHOTTKY		P....19	53.03.0252	1-P	MALE, AU 12MH	
B...4	50.04.0105	1M4004	0041, RECTIFIER		P....20	53.03.0252	1-P	MALE, AU 12MH	
B...5	50.04.0125	1M4448	0035, RECTIFIER		P....21	53.03.0252	1-P	MALE, AU 12MH	
B...6	50.04.0125	1M4448	0035, RECTIFIER		P....22	53.03.0252	1-P	MALE, AU 12MH	
B...7	50.04.0125	1M4448	0035, RECTIFIER		P....23	53.03.0252	1-P	MALE, AU 12MH	
B...8	50.04.0125	1M4448	0035, RECTIFIER		P....24	53.03.0252	1-P	MALE, AU 12MH	
C...1	50.17.0541	74HC7541	OCTAL BUS BUFFER		P....25	53.03.0252	1-P	MALE, AU 12MH	
C...2	50.21.0541	74F541	OCTAL BUS BUFFER		P....26	53.03.0252	1-P	MALE, AU 12MH	
C...3	50.17.0241	74HC7541	OCTAL BUS BUFFER		P....27	53.03.0252	1-P	MALE, AU 12MH	
C...4	50.10.0109	LM337L	SERIE-REG. -		P....28	53.03.0252	1-P	MALE, AU 12MH	
C...5	50.16.0701	M7968-125	TAXI-CHIP TTL TX		P....29	53.03.0252	1-P	MALE, AU 12MH	
C...6	50.16.0702	M7968-125	TAXI-CHIP TTL BX		P....30	53.03.0252	1-P	MALE, AU 12MH	
C...7	50.11.0156	MAX9685	ULTRA FAST ECL OUTPUT COM.		P....31	53.03.0252	1-P	MALE, AU 12MH	
C...8	50.10.0108	LM317L	SERIE-REG. +		P....32	53.03.0252	1-P	MALE, AU 12MH	
J...1	54.21.2031	BMC	ANG., FEM., PCB		P....33	53.03.0252	1-P	MALE, AU 12MH	
J...2	54.21.2031	BMC	ANG., FEM., PCB		P....34	53.03.0252	1-P	MALE, AU 12MH	
L...1	62.03.0001	10u	1A, TOROIDAL CHOKE		P....35	53.03.0252	1-P	MALE, AU 12MH	
L...2	62.02.3100	10u	10 %, 0,08 (OHM), HF-CHOKE		P....36	53.03.0252	1-P	MALE, AU 12MH	
L...3	62.02.3100	10u	10 %, 0,08 (OHM), HF-CHOKE		P....37	53.03.0252	1-P	MALE, AU 12MH	
L...4	62.02.3100	10u	10 %, 0,08 (OHM), HF-CHOKE		P....38	53.03.0252	1-P	MALE, AU 12MH	
L...5	62.03.0001	10u	1A, TOROIDAL CHOKE		P....39	53.03.0252	1-P	MALE, AU 12MH	
L...6	62.02.3100	10u	10 %, 0,08 (OHM), HF-CHOKE		P....40	53.03.0252	1-P	MALE, AU 12MH	
L...7	62.02.3100	10u	10 %, 0,08 (OHM), HF-CHOKE		P....41	53.03.0252	1-P	MALE, AU 12MH	
L...8	62.02.3100	10u	10 %, 0,08 (OHM), HF-CHOKE		P....42	53.03.0252	1-P	MALE, AU 12MH	
L...9	62.02.3100	10u	10 %, 0,08 (OHM), HF-CHOKE		P....43	53.03.0252	1-P	MALE, AU 12MH	
L...10	62.02.3100	10u	10 %, 0,08 (OHM), HF-CHOKE		P....44	53.03.0252	1-P	MALE, AU 12MH	
MP...1	1.862.690.11		Empty PCB	ST	P....45	53.03.0252	1-P	MALE, AU 12MH	
MP...2	1.862.690.01		Etikette: Baugruppennummer	ST	P....46	53.03.0252	1-P	MALE, AU 12MH	
MP...3	43.01.0108		Etikette: ESE	ST	P....47	53.03.0252	1-P	MALE, AU 12MH	
MP...4	89.01.1499		Isoliertscheibe Quarz		P....48	53.03.0252	1-P	MALE, AU 12MH	
MP...5	89.01.1499		Isoliertscheibe Quarz		P....49	53.03.0252	1-P	MALE, AU 12MH	
MP...6	1.862.690.02		Abschirmung	ST	P....50	53.03.0252	1-P	MALE, AU 12MH	
MP...7	1.862.690.02		Abschirmung	ST	P....51	54.02.0320	1-P	FLATPIN 2.8*0.8	
MP...8	21.53.0355		Imbusschraube M3x8		P....52	54.02.0320	1-P	FLATPIN 2.8*0.8	
MP...9	21.53.0355		Imbusschraube M3x8		P....53	54.02.0320	1-P	FLATPIN 2.8*0.8	
MP...10	21.53.0355		Imbusschraube M3x8		P....54	54.02.0320	1-P	FLATPIN 2.8*0.8	
MP...11	21.53.0355		Imbusschraube M3x8		P....55	54.02.0320	1-P	FLATPIN 2.8*0.8	
MP...12	21.53.0355		Imbusschraube M3x8		P....56	54.02.0320	1-P	FLATPIN 2.8*0.8	
MP...13	21.53.0355		Imbusschraube M3x8		R....1	5.10.1331	330E	1 %, 0.4l, MF	
MP...14	21.53.0353		Imbusschraube M3x5		R....2	5.11.3391	390E	1 %, 0.6l, MF	
MP...15	21.53.0353		Imbusschraube M3x5		R....3	5.11.3391	390E	1 %, 0.6l, MF	
MP...16	21.53.0353		Imbusschraube M3x5		R....4	5.11.3661	880E	1 %, 0.4l, MF	
MP...17	21.53.0353		Imbusschraube M3x5		R....5	5.11.3661	880E	1 %, 0.4l, MF	
MP...18	21.53.0353		Imbusschraube M3x5		R....6	5.10.1331	330E	1 %, 0.4l, MF	
MP...19	21.53.0353		Imbusschraube M3x5		R....7	5.10.1321	220E	1 %, 0.4l, MF	
MP...20	24.16.1030		Sicherungsscheibe M3		R....8	5.11.3321	220E	1 %, 0.6l, MF	
MP...21	24.16.1030		Sicherungsscheibe M3		R....9	5.11.3101	100E	1 %, 0.4l, MF	
MP...22	24.16.1030		Sicherungsscheibe M3		R....10	5.11.3561	560E	1 %, 0.6l, MF	
MP...23	24.16.1030		Sicherungsscheibe M3		R....11	5.10.1750	75E	1 %, 0.4l, MF	
MP...24	24.16.1030		Sicherungsscheibe M3		R....12	5.10.1750	75E	1 %, 0.4l, MF	
MP...25	24.16.1030		Sicherungsscheibe M3		R....13	5.10.1331	330E	1 %, 0.4l, MF	
MP...26	24.16.1030		Sicherungsscheibe M3		R....14	5.10.1331	330E	1 %, 0.4l, MF	
MP...27	24.16.1030		Sicherungsscheibe M3		R....15	5.10.1301	100E	1 %, 0.4l, MF	
MP...28	24.16.1030		Sicherungsscheibe M3		R....16	5.10.1301	100E	1 %, 0.4l, MF	
MP...29	24.16.1030		Sicherungsscheibe M3		R....17	5.10.1322	112	1 %, 0.4l, MF	
MP...30	24.16.1030		Sicherungsscheibe M3		R....18	5.11.3221	220E	1 %, 0.4l, MF	
MP...31	24.16.1030		Sicherungsscheibe M3		R....19	5.11.3101	100E	1 %, 0.4l, MF	
MP...32	23.01.1032		U-Scheibe		R....20	5.11.3561	560E	1 %, 0.6l, MF	
MP...33	23.01.1032		U-Scheibe		R....21	5.10.1750	75E	1 %, 0.4l, MF	
MP...34	23.01.1032		U-Scheibe		R....22	5.10.1750	75E	1 %, 0.4l, MF	
MP...35	23.01.1032		U-Scheibe		R....24	5.10.1750	75E	1 %, 0.4l, MF	
MP...36	23.01.1032		U-Scheibe		T....1	6.15.0001	T766	1, PULSE TRANSFORMER	
MP...37	23.01.1032		Mutterbolzen M3*12		T....2	6.15.0001	T766	1, PULSE TRANSFORMER	
MP...38	1.010.022.27		Mutterbolzen M3*12		W....1		not used		
MP...39	1.010.022.27		Mutterbolzen M3*12		W....2		not used		
MP...40	1.010.022.27		Mutterbolzen M3*12		Y....1	8.01.1013	12.500MHZ	30PF, PAR., VERT.	
MP...41	1.010.022.27		Mutterbolzen M3*12		Y....2	8.01.1013	12.500MHZ	30PF, PAR., VERT.	
MP...42	1.010.022.27		Mutterbolzen M3*12		REMARKS:				
MP...43	1.010.022.27		Mutterbolzen M3*12		Y....1	8.01.1013	12.500MHZ	30PF, PAR., VERT.	
MP...44	1.080.970.04		Distanzbohlen mit Gewinde I3*15		Y....2	8.01.1013	12.500MHZ	30PF, PAR., VERT.	
MP...45	1.080.970.04		Distanzbohlen mit Gewinde I3*15		MANUFACTURERS:				
MP...46	1.080.970.04		Distanzbohlen mit Gewinde I3*15		ST = STUDER				
MP...47	1.080.970.04		Distanzbohlen mit Gewinde I3*15		ABBREVIATIONS:				
MP...48	1.080.970.04		Distanzbohlen mit Gewinde I3*15		CER = CERAMIC / IC = IC SOCKET / MF = METAL FILM				
MP...49	1.080.970.04		Distanzbohlen mit Gewinde I3*15						

DP AUX KEY DETECTION 1.862.812.81

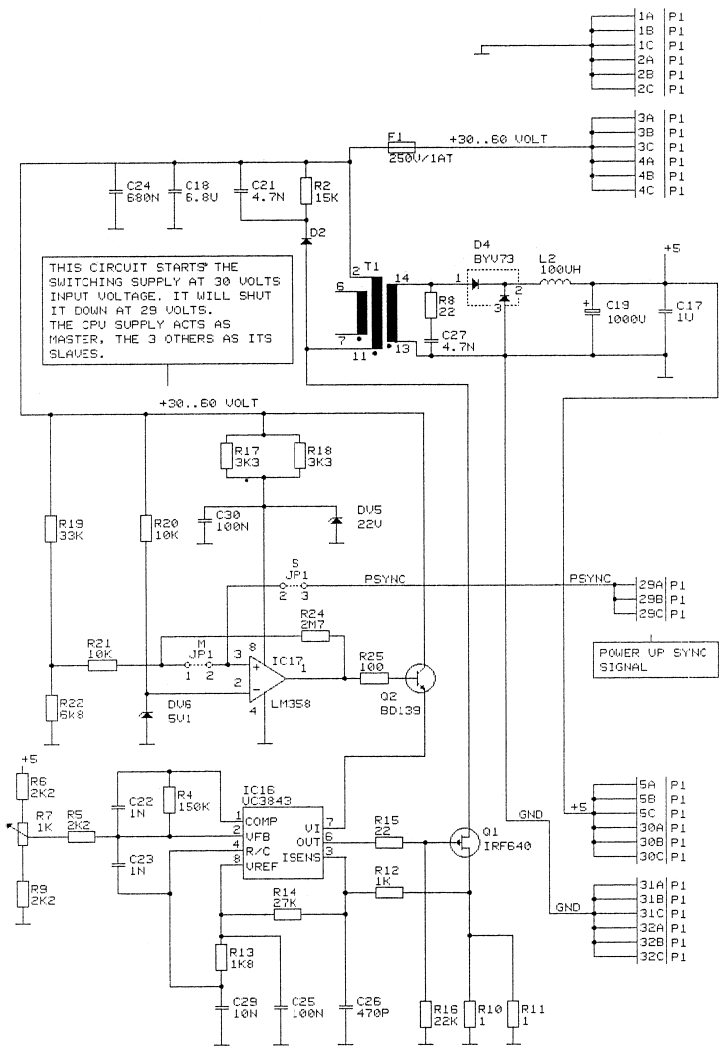


NOTE:  
TXSEL TXIRO STANDS FOR TSEL, TISEL, T2SEL...  
SIGNAL OF CPU. SELECTION IS MADE BY THE  
BACKPANEL!

⑩ 10.7.91 R.A.	①	②	③	④
D820 MCH DISPLAY PANEL			PAGE . OF 2	
STUDER DP KEY DETECTION		3C	1.862.812.81	



DP AUX KEY DETECTION 1.862.812.81

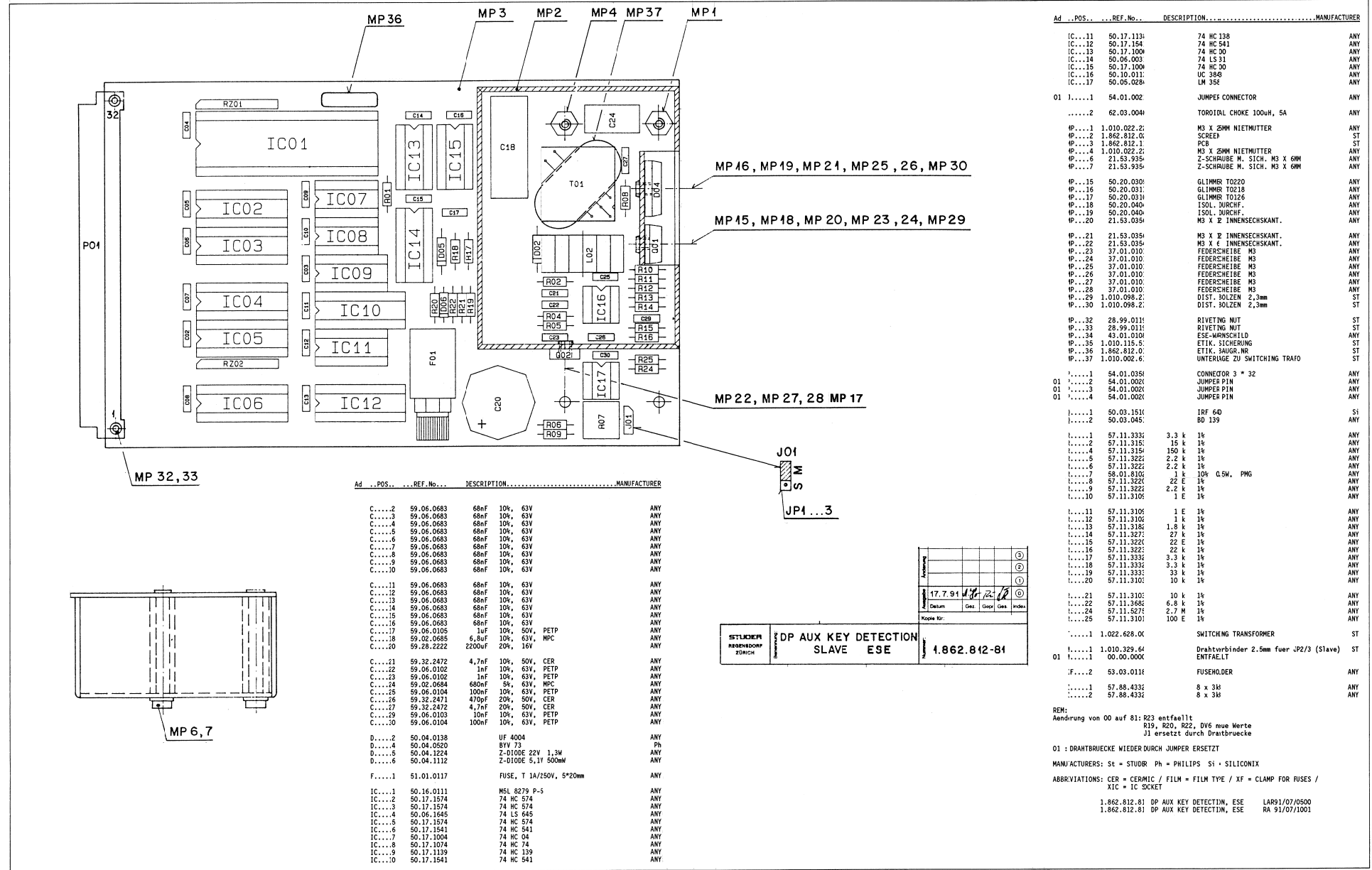


THIS CIRCUIT STARTS THE SWITCHING SUPPLY AT 30 VOLTS INPUT VOLTAGE. IT WILL SHUT IT DOWN AT 29 VOLTS. THE CPU SUPPLY ACTS AS MASTER, THE 3 OTHERS AS ITS SLAVES.

JUMPER JP1 INSERT S FOR SLAVE OPERATION  
 INSERT M FOR MASTER OPERATION

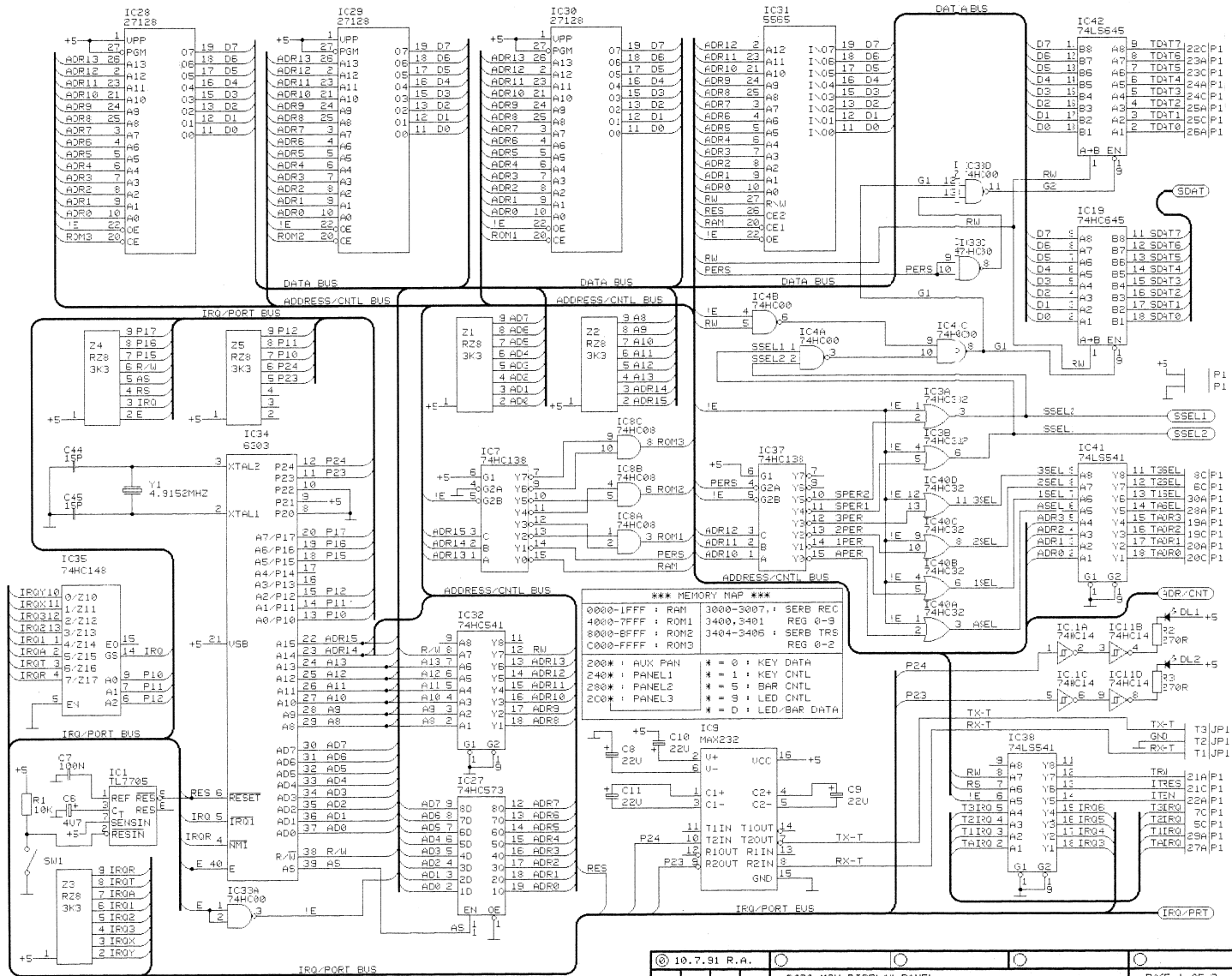
© 10.7.91 R.A.			
	D820 MCH DISPLAY PANEL		PAGE 2 OF 2
STUDER	DP KEY DETECTION	SC	1.862.812.81

DP AUX KEY DETECTION 1.862.812.81



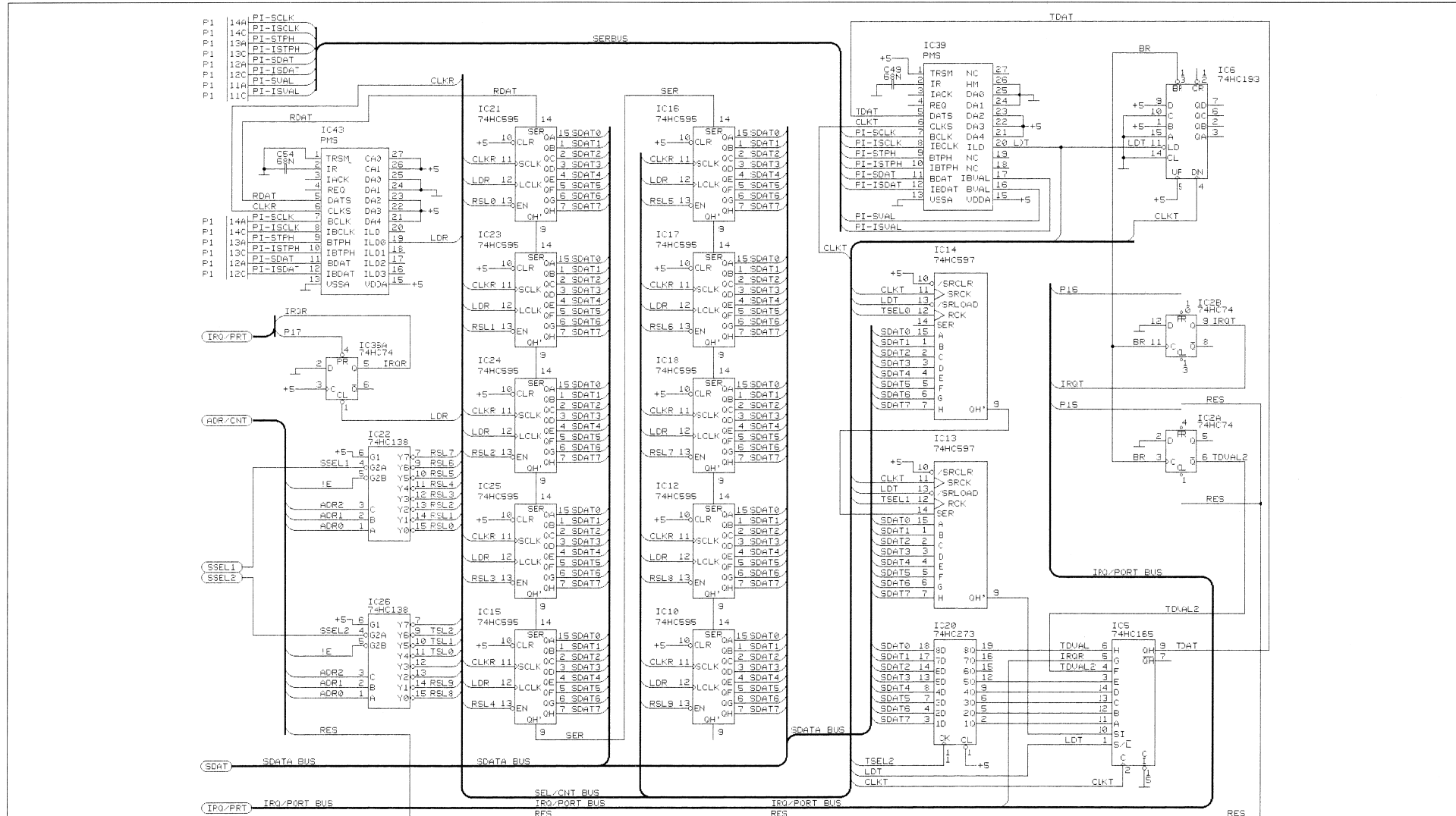


DP PROCESSOR 1.862.815.22



© 10.7.91 R.A.	D820 MCH DISPLAY PANEL	PAGE 1 OF 2
<b>STUDER</b>	<b>DP PROCESSOR</b>	<b>SC 1.862.815.22</b>

DP PROCESSOR 1.862.815.22





DP PROCESSOR 1.862.815.22

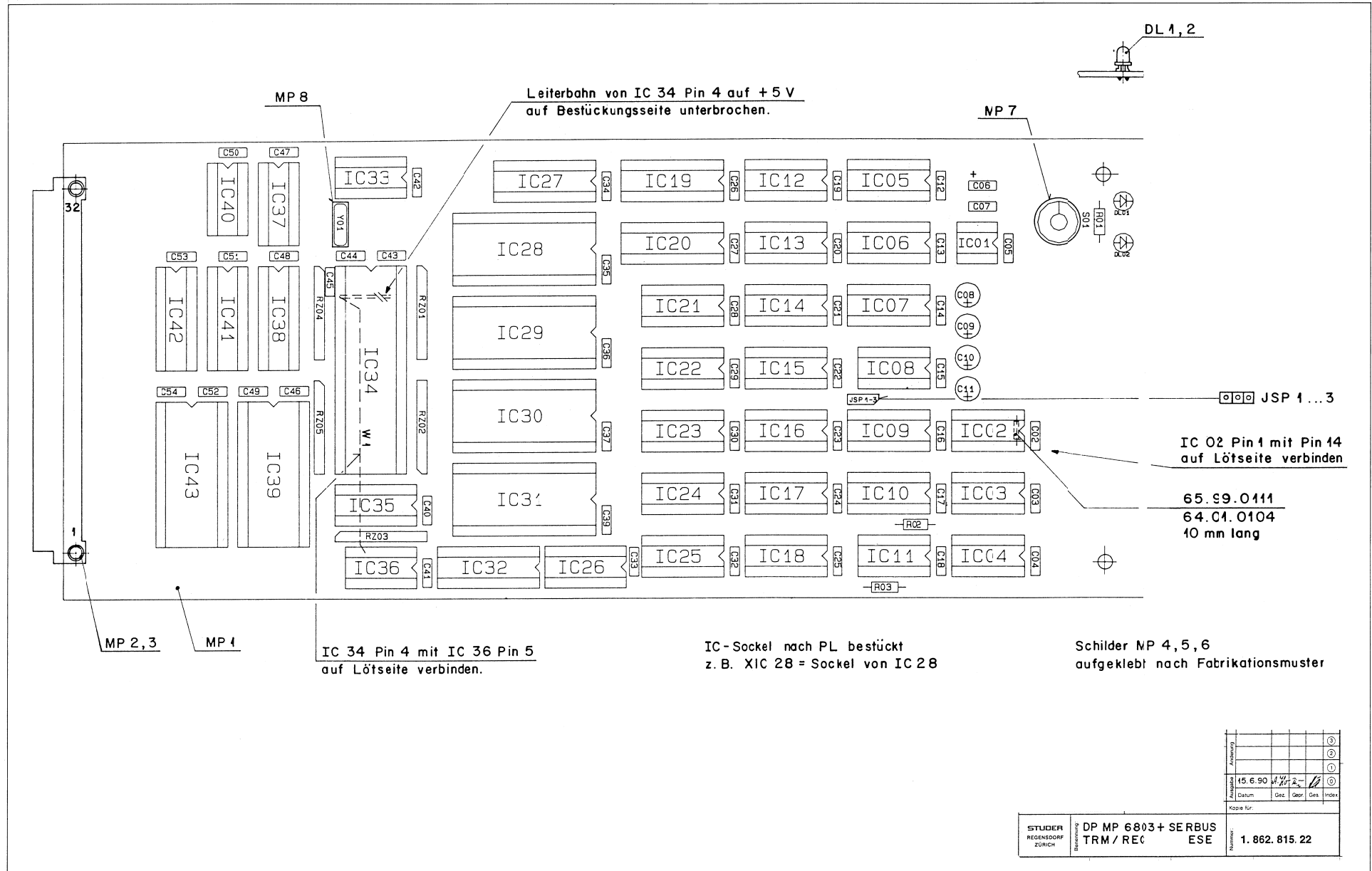


Abbildung									
Datum	15.6.90	M	W	2					
Index									

STUDER REGENSDORF ZÜRICH	DP MP 6803+ SERBUS TRM / REC ESE	1.862.815.22
--------------------------------	--	--------------



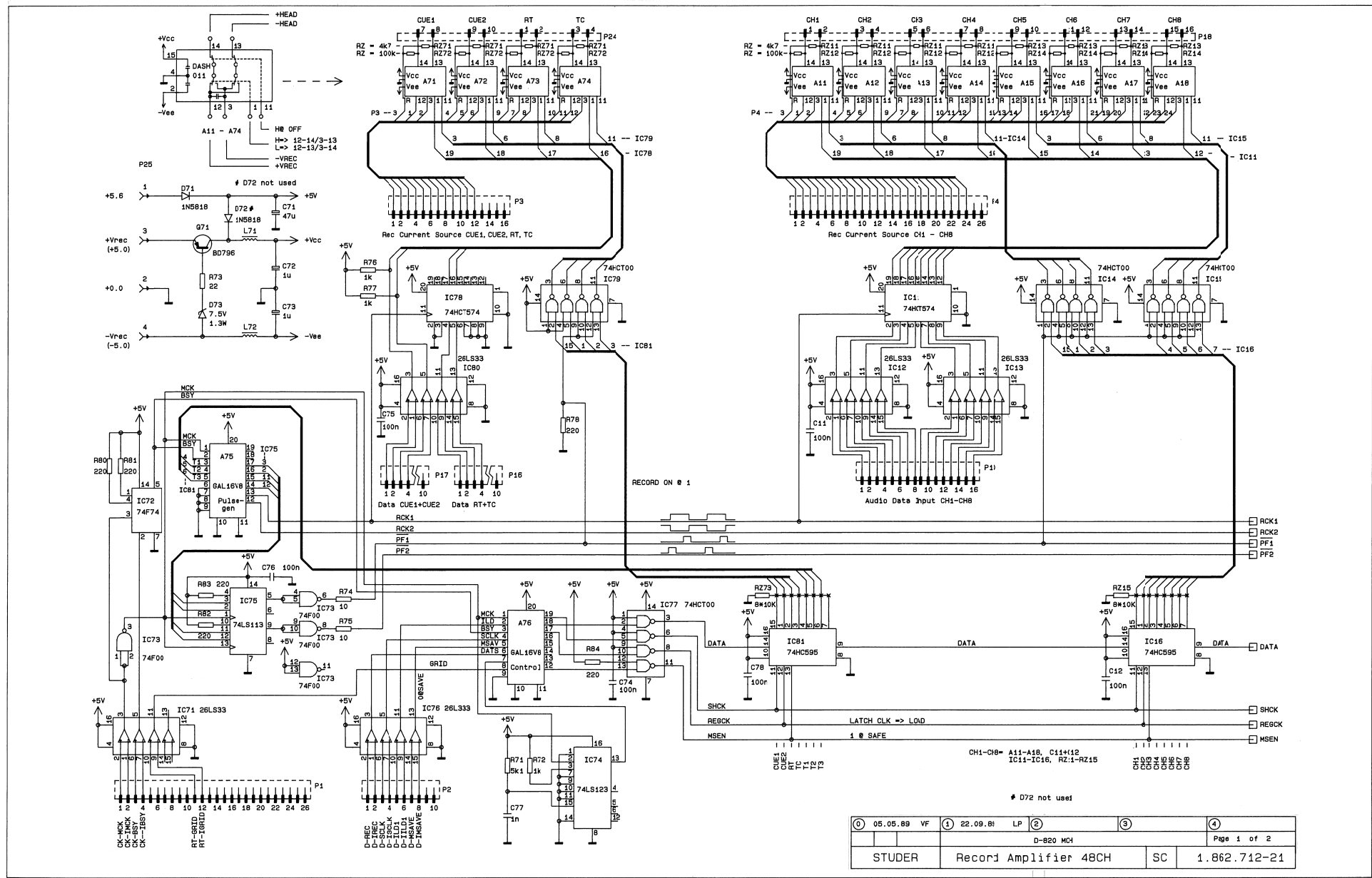


DP PROCESSOR 1.862.815.22

Ad	POS.	REF.No.	DESCRIPTION	MANUFACTURER	Ad	POS.	REF.No.	DESCRIPTION	MANUFACTURER
C....2	59.06.0683	68nF	10%, 63V	ANY	IC...43	50.50.0010	PORTMASTER	ANY	
C....1	59.06.0683	68nF	10%, 63V	ANY	JSP...1	54.11.0126	JUMPER CONNECTOR	ANY	
C....4	59.06.0683	68nF	10%, 63V	ANY	JSP...2	54.11.0126	JUMPER CONNECTOR	ANY	
C....5	59.06.0683	68nF	10%, 63V	ANY	JSP...3	54.11.0126	JUMPER CONNECTOR	ANY	
C....6	59.26.1479	4,7uF	20%, 10V	ANY	MP...1	1.862.815.11	PCI	Sc	
C....7	59.06.0104	100nF	10%, 63V	ANY	MP...2	28.99.0119	RIYETUNG NUT, D2.5 * 1C	ANY	
C....6	59.26.1220	22uF	20%, 10V	ANY	MP...3	28.99.0119	RIYETUNG NUT, D2.5 * 1C	ANY	
C....5	59.26.1220	22uF	20%, 10V	ANY	MP...4	43.01.0108	ESE - Warnschild	ANY	
C....10	59.26.1220	22uF	20%, 10V	ANY	MP...5	1.862.815.01	ET.K. PRINT.NR.	ST	
C....11	59.26.1220	22uF	20%, 10V	ANY	MP...6	1.101.001.20	ET.K. HARDWARE	ST	
C....12	59.06.0683	68nF	10%, 63V	ANY	MP...7	1.010.015.50	ISOLIERSCHE. KEVZ	ST	
C....13	59.06.0683	68nF	10%, 63V	ANY	MP...8	89.01.1499	ISOLIERSCHE. QUARZ	ST	
C....14	59.06.0683	68nF	10%, 63V	ANY	P.....1	54.01.0358	CONNECTOR 3 * 32	ANY	
C....15	59.06.0683	68nF	10%, 63V	ANY	R.....1	57.11.3103	10 k 1%	ANY	
C....16	59.06.0683	68nF	10%, 63V	ANY	R.....2	57.11.3271	270 E 1%	ANY	
C....17	59.06.0683	68nF	10%, 63V	ANY	R.....3	57.11.3271	270 E 1%	ANY	
C....18	59.06.0683	68nF	10%, 63V	ANY	RZ....1	57.88.4332	3.3 k 8"	ANY	
C....19	59.06.0683	68nF	10%, 63V	ANY	RZ....2	57.88.4332	3.3 k 8"	ANY	
C....20	59.06.0683	68nF	10%, 63V	ANY	RZ....3	57.88.4332	3.3 k 8"	ANY	
C....21	59.06.0683	68nF	10%, 63V	ANY	RZ....4	57.88.4332	3.3 k 8"	ANY	
C....22	59.06.0683	68nF	10%, 63V	ANY	RZ....5	57.88.4332	3.3 k 8"	ANY	
C....23	59.06.0683	68nF	10%, 63V	ANY	S.....1	55.03.0122	KEY	ANY	
C....24	59.06.0683	68nF	10%, 63V	ANY	01 W.....1	1.010.012.64	WRAP-DRAHT 120 mm	Sc	
C....25	59.06.0683	68nF	10%, 63V	ANY	XIC..28	53.03.0173	D11 28-POL	ANY	
C....26	59.06.0683	68nF	10%, 63V	ANY	XIC..29	53.03.0173	D11 28-POL	ANY	
C....27	59.06.0683	68nF	10%, 63V	ANY	XIC..30	53.03.0173	D11 28-POL	ANY	
C....28	59.06.0683	68nF	10%, 63V	ANY	XIC..34	53.03.0172	D11 40-POL	ANY	
C....29	59.06.0683	68nF	10%, 63V	ANY	XIC..39	53.03.0173	D11 28-POL	ANY	
C....30	59.06.0683	68nF	10%, 63V	ANY	XIC..43	53.03.0173	D11 28-POL	ANY	
C....31	59.06.0683	68nF	10%, 63V	ANY	Y.....1	89.01.0560	4.9152 MHZ	ANY	
C....32	59.06.0683	68nF	10%, 63V	ANY	REMARKS:				
C....33	59.06.0683	68nF	10%, 63V	ANY	AENDERNUNGEN:				
C....34	59.06.0683	68nF	10%, 63V	ANY	*****				
C....35	59.06.0683	68nF	10%, 63V	ANY	00 : SM 1.862.825.21 -> 1.862.825.22				
C....36	59.06.0683	68nF	10%, 63V	ANY	SM 1.862.826.21 -> 1.862.826.22				
C....37	59.06.0683	68nF	10%, 63V	ANY	MANUFACTURERS:				
C....38	59.06.0683	68nF	10%, 63V	ANY	ST = STUDER, Ph = PHILIPS				
C....39	59.06.0683	68nF	10%, 63V	ANY	ABBREVIATIONS: CER = CERAMIC / FILM = FILM TYPE / XF = CLAMP FOR FUSES /				
C....40	59.06.0683	68nF	10%, 63V	ANY	XIC = IC SOCKET				
C....41	59.06.0683	68nF	10%, 63V	ANY	1.862.815.22 DP MICROPROCESSOR, ESE		RA91/07/1000		
C....42	59.06.0683	68nF	10%, 63V	ANY	END				
C....43	59.06.0683	68nF	10%, 63V	ANY					
C....44	59.34.2220	22pF	5%, 63V	ANY					
C....45	59.34.2220	22pF	5%, 63V	ANY					
C....46	59.06.0683	68nF	10%, 63V	ANY					
C....47	59.06.0683	68nF	10%, 63V	ANY					
C....48	59.06.0683	68nF	10%, 63V	ANY					
C....49	59.06.0683	68nF	10%, 63V	ANY					
C....50	59.06.0683	68nF	10%, 63V	ANY					
C....51	59.06.0683	68nF	10%, 63V	ANY					
C....52	59.06.0683	68nF	10%, 63V	ANY					
C....53	59.06.0683	68nF	10%, 63V	ANY					
C....54	59.06.0683	68nF	10%, 63V	ANY					
DL....1	50.04.2129	LS 3160	(RED)	ANY					
DL....2	50.04.2162	HLMF 1540	(GREEN)	ANY					
IC....1	50.11.0122	TL 7705	ACP	ANY					
IC....2	50.17.1074	74 HC 74		ANY					
IC....3	50.17.1032	74 HC 32		ANY					
IC....4	50.17.1000	74 HC 00		ANY					
IC....5	50.17.1165	74 HC 165		ANY					
IC....6	50.17.1193	74 HC 193		ANY					
IC....7	50.17.1138	74 HC 138		ANY					
IC....8	50.17.1008	74 HC 08		ANY					
IC....9	50.15.0120	MAX 322		ANY					
IC....10	50.17.1595	74 HC 595		ANY					
IC....11	50.17.1014	74 HC 14		ANY					
IC....12	50.17.1595	74 HC 595		ANY					
IC....13	50.17.1597	74 HC 597		ANY					
IC....14	50.17.1597	74 HC 597		ANY					
IC....15	50.17.1595	74 HC 595		ANY					
IC....16	50.17.1595	74 HC 595		ANY					
IC....17	50.17.1595	74 HC 595		ANY					
IC....18	50.17.1595	74 HC 595		ANY					
IC....19	50.17.1645	74 HC 645		ANY					
IC....20	50.17.1273	74 HC 273		ANY					
IC....21	50.17.1595	74 HC 595		ANY					
IC....22	50.17.1138	74 HC 138		ANY					
IC....23	50.17.1595	74 HC 595		ANY					
IC....24	50.17.1595	74 HC 595		ANY					
IC....25	50.17.1595	74 HC 595		ANY					
IC....26	50.17.1595	74 HC 595		ANY					
IC....27	50.17.1573	74 HC 573		ANY					
IC....28	50.14.0125	HM 271284G-25	(SM 1.862.825.22)	ANY					
IC....29	50.14.0125	HM 271284G-25	(SM 1.862.826.22)	ANY					
IC....30	50.14.0133	HM 6264LP-15		ANY					
IC....31	50.17.1541	74 HC 541		ANY					
IC....32	50.17.1000	74 HC 00		ANY					
IC....33	50.16.0119	H063A03		ANY					
IC....34	50.17.1148	74 HC 148		ANY					
IC....35	50.17.1074	74 HC 74		ANY					
IC....36	50.17.1138	74 HC 138		ANY					
IC....37	50.06.0541	74 LS 541		ANY					
IC....38	50.50.0010	PORTMASTER		ANY					
IC....39	50.17.1032	74 HC 32		ANY					
IC....40	50.06.0541	74 LS 541		ANY					
IC....41	50.06.1645	74 LS 645		ANY					



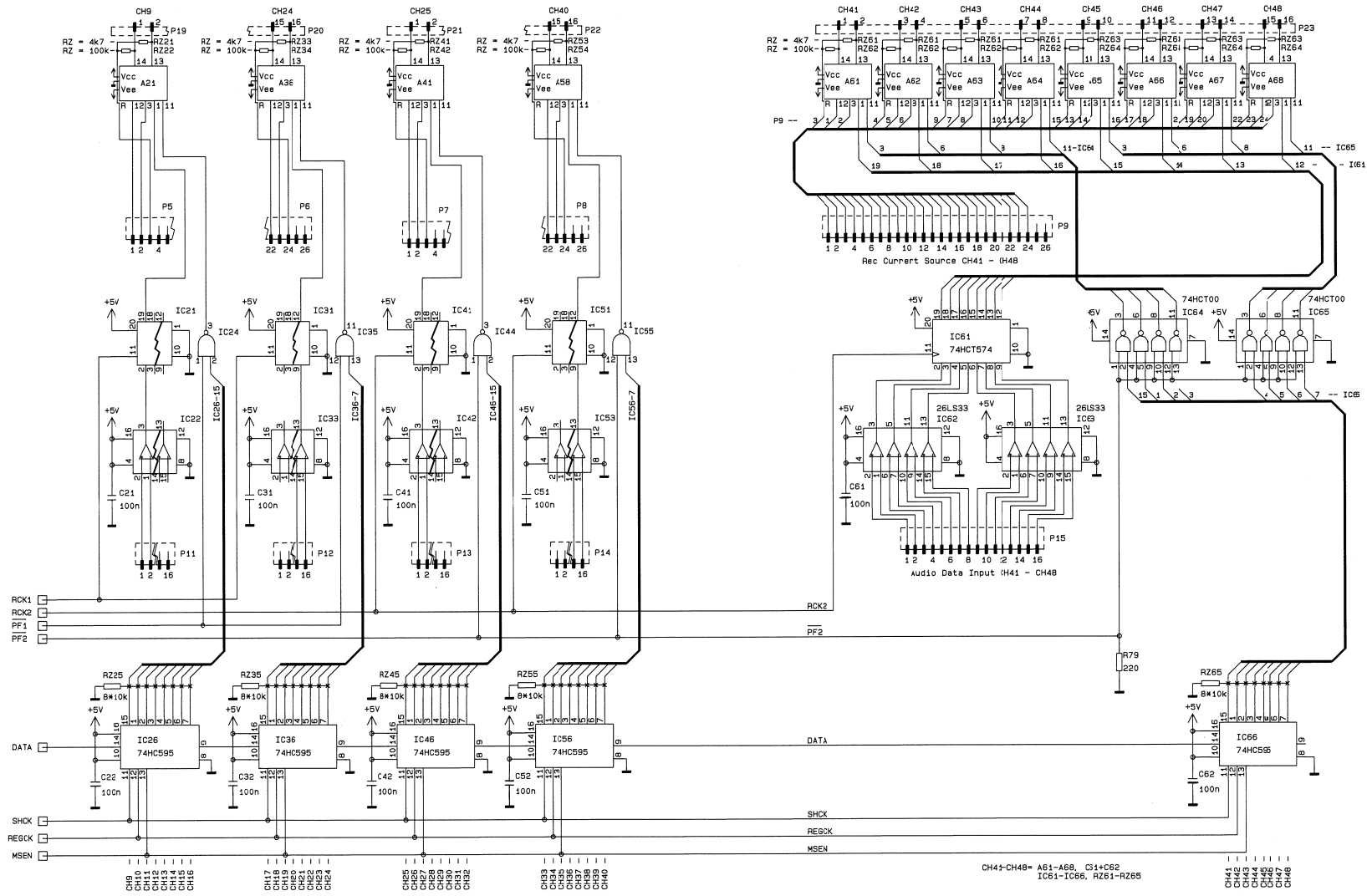
RECORD AMPLIFIER 48CH 1.862.712.21



0	05.05.89	VF	1	22.08.81	LP	2		3		4
D-820 MCH										
STUDER			Record Amplifier 48CH				SC		1.862.712-21	
Page 1 of 2										



RECORD AMPLIFIER 48CH 1.862.712.21



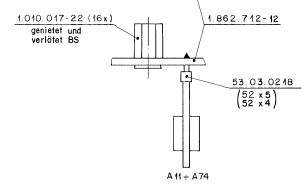
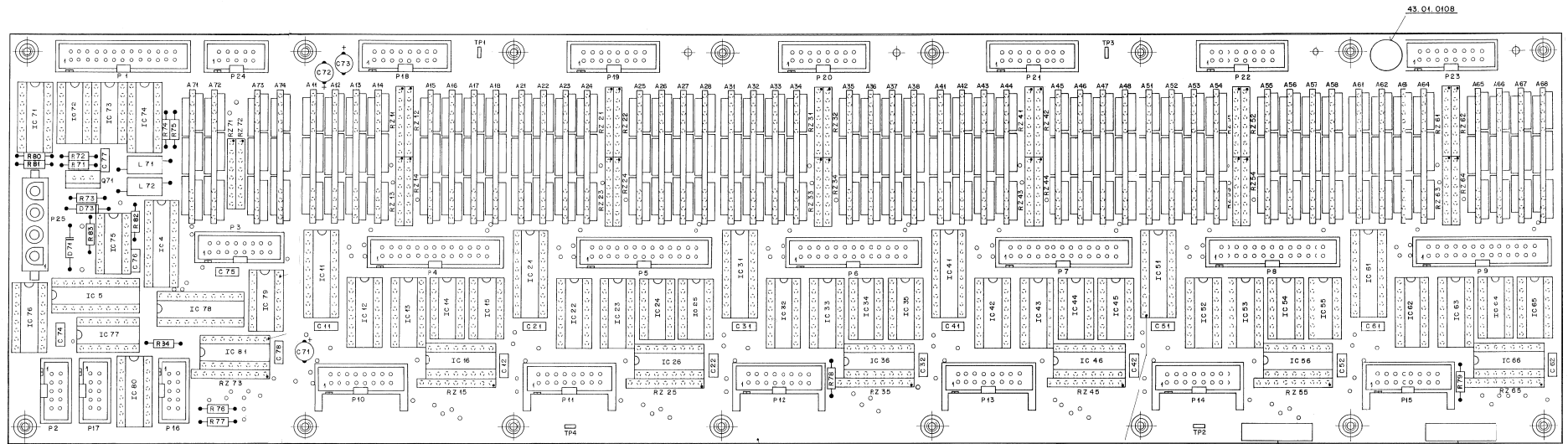
- CH9-CH16= A21-A28  
C21+C28  
IC21-IC28  
RZ21-RZ28
- CH17-CH24= A31-A38  
C31+C38  
IC31-IC38  
RZ31-RZ38
- CH25-CH32= A41-A48  
C41+C48  
IC41-IC48  
RZ41-RZ48
- CH33-CH40= A51-A58  
C51+C58  
IC51-IC58  
RZ51-RZ58

CH41-CH48= A61-A68, C31+C62  
IC61-IC66, RZ61-RZ68

05.05.89	VF	22.09.88	LP		
D-820 MCH			Page 2 of 2		
STUDER		Record Amplifier 48CH		SC	1.852.712-21



RECORD AMPLIFIER 48CH 1.862.712.21



14.12.89	LP	PH		
Datum	Gez	Über	Dem	Index
Kopie Nr.:				

STUDER  
RECORDING  
ZÜRICH

RECORD AMPLIFIER  
48 CH ESE

1.862.712.21

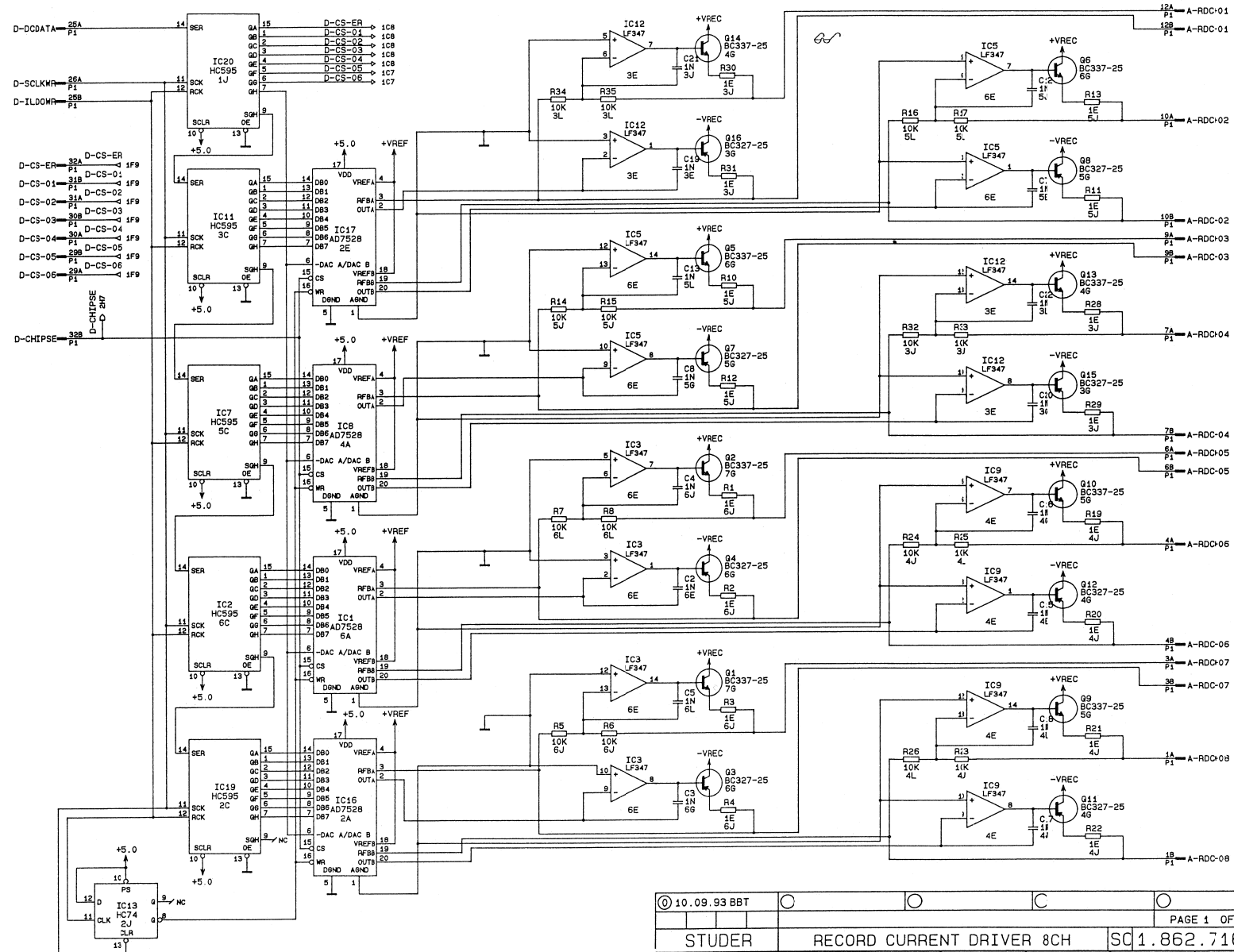
Ad	POS.	REF. No.	DESCRIPTION	MANUFACTURER
A...	11	1.862.740.00	RECORD CURRENT SWITCH	SEE NOTE 1
A...	12	1.862.740.00	RECORD CURRENT SWITCH	SEE NOTE 1
A...	13	1.862.740.00	RECORD CURRENT SWITCH	SEE NOTE 1
A...	14	1.862.740.00	RECORD CURRENT SWITCH	SEE NOTE 1
A...	15	1.862.740.00	RECORD CURRENT SWITCH	SEE NOTE 1
A...	16	1.862.740.00	RECORD CURRENT SWITCH	SEE NOTE 1
A...	17	1.862.740.00	RECORD CURRENT SWITCH	SEE NOTE 1
A...	18	1.862.740.00	RECORD CURRENT SWITCH	SEE NOTE 1
A...	21	1.862.740.00	RECORD CURRENT SWITCH	SEE NOTE 1
A...	22	1.862.740.00	RECORD CURRENT SWITCH	SEE NOTE 1
A...	23	1.862.740.00	RECORD CURRENT SWITCH	SEE NOTE 1
A...	24	1.862.740.00	RECORD CURRENT SWITCH	SEE NOTE 1
A...	25	1.862.740.00	RECORD CURRENT SWITCH	SEE NOTE 1
A...	26	1.862.740.00	RECORD CURRENT SWITCH	SEE NOTE 1
A...	27	1.862.740.00	RECORD CURRENT SWITCH	SEE NOTE 1
A...	28	1.862.740.00	RECORD CURRENT SWITCH	SEE NOTE 1
A...	31	1.862.740.00	RECORD CURRENT SWITCH	SEE NOTE 1
A...	32	1.862.740.00	RECORD CURRENT SWITCH	SEE NOTE 1
A...	33	1.862.740.00	RECORD CURRENT SWITCH	SEE NOTE 1
A...	34	1.862.740.00	RECORD CURRENT SWITCH	SEE NOTE 1
A...	35	1.862.740.00	RECORD CURRENT SWITCH	SEE NOTE 1
A...	36	1.862.740.00	RECORD CURRENT SWITCH	SEE NOTE 1
A...	37	1.862.740.00	RECORD CURRENT SWITCH	SEE NOTE 1
A...	38	1.862.740.00	RECORD CURRENT SWITCH	SEE NOTE 1
A...	41	1.862.740.00	RECORD CURRENT SWITCH	SEE NOTE 1
A...	42	1.862.740.00	RECORD CURRENT SWITCH	SEE NOTE 1
A...	43	1.862.740.00	RECORD CURRENT SWITCH	SEE NOTE 1
A...	44	1.862.740.00	RECORD CURRENT SWITCH	SEE NOTE 1
A...	45	1.862.740.00	RECORD CURRENT SWITCH	SEE NOTE 1
A...	46	1.862.740.00	RECORD CURRENT SWITCH	SEE NOTE 1
A...	47	1.862.740.00	RECORD CURRENT SWITCH	SEE NOTE 1
A...	48	1.862.740.00	RECORD CURRENT SWITCH	SEE NOTE 1
A...	51	1.862.740.00	RECORD CURRENT SWITCH	SEE NOTE 1
A...	52	1.862.740.00	RECORD CURRENT SWITCH	SEE NOTE 1
A...	53	1.862.740.00	RECORD CURRENT SWITCH	SEE NOTE 1
A...	54	1.862.740.00	RECORD CURRENT SWITCH	SEE NOTE 1
A...	55	1.862.740.00	RECORD CURRENT SWITCH	SEE NOTE 1
A...	56	1.862.740.00	RECORD CURRENT SWITCH	SEE NOTE 1
A...	57	1.862.740.00	RECORD CURRENT SWITCH	SEE NOTE 1
A...	58	1.862.740.00	RECORD CURRENT SWITCH	SEE NOTE 1



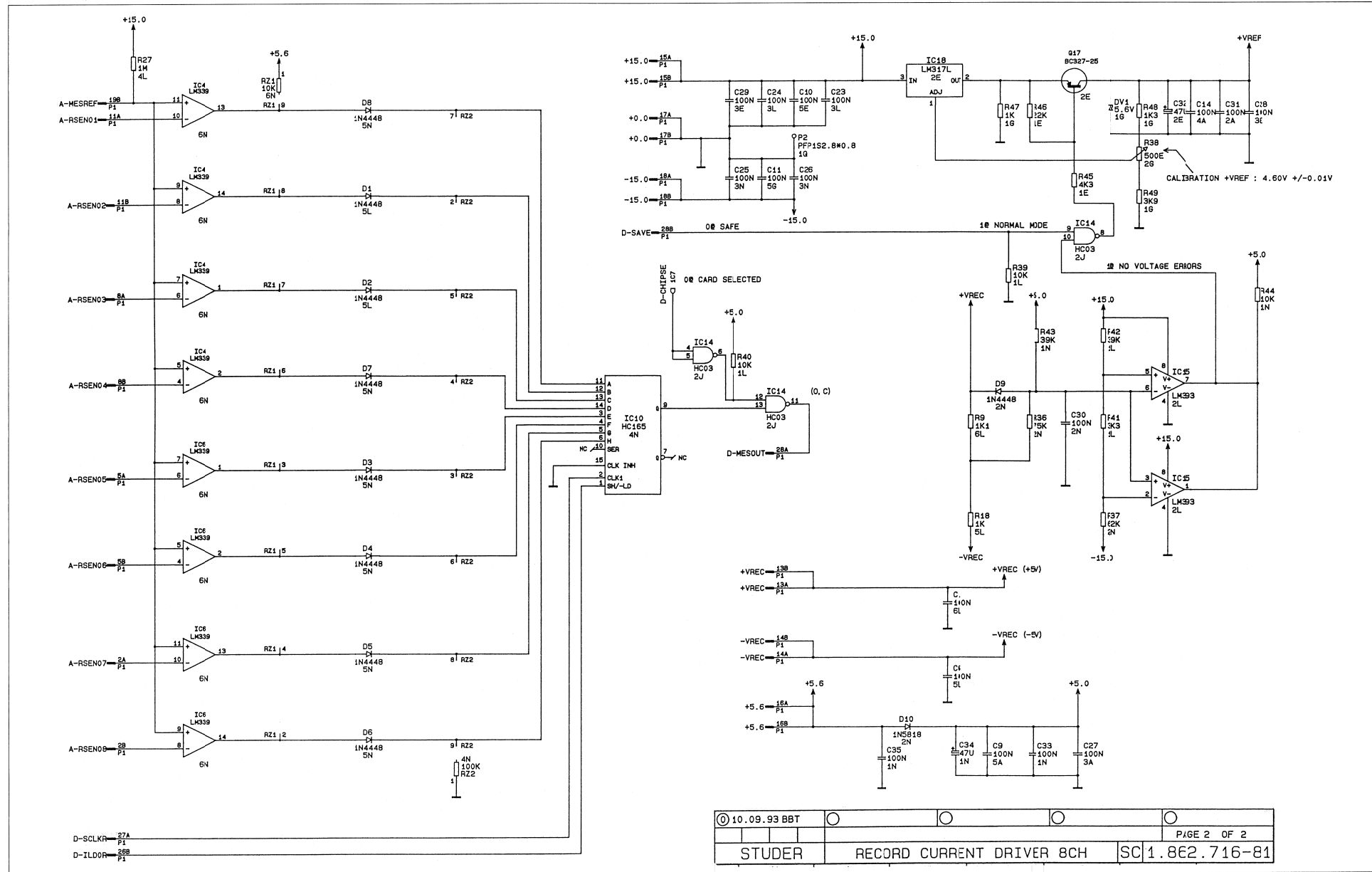
RECORD AMPLIFIER 48CH 1.862.712.21

Ad	POS.	REF.No.	DESCRIPTION	MANUFACTURER	Ad	POS.	REF.No.	DESCRIPTION	MANUFACTURER
A....61	1.862.740.00		RECORD CURRENT SWITCH, SEE NOTE 1		P....1	54.14.2003	Connector 26 Contacts, Flat Cable		
A....62	1.862.740.00		RECORD CURRENT SWITCH, SEE NOTE 1		P....2	54.14.2001	Connector 10 Contacts, Flat Cable		
A....63	1.862.740.00		RECORD CURRENT SWITCH, SEE NOTE 1		P....3	54.14.2002	Connector 16 Contacts, Flat Cable		
A....64	1.862.740.00		RECORD CURRENT SWITCH, SEE NOTE 1		P....4	54.14.2003	Connector 26 Contacts, Flat Cable		
A....65	1.862.740.00		RECORD CURRENT SWITCH, SEE NOTE 1		P....5	54.14.2003	Connector 26 Contacts, Flat Cable		
A....66	1.862.740.00		RECORD CURRENT SWITCH, SEE NOTE 1		P....6	54.14.2003	Connector 26 Contacts, Flat Cable		
A....67	1.862.740.00		RECORD CURRENT SWITCH, SEE NOTE 1		P....7	54.14.2003	Connector 26 Contacts, Flat Cable		
A....68	1.862.740.00		RECORD CURRENT SWITCH, SEE NOTE 1		P....8	54.14.2003	Connector 26 Contacts, Flat Cable		
A....71	1.862.740.00		RECORD CURRENT SWITCH, SEE NOTE 1		P....9	54.14.2003	Connector 26 Contacts, Flat Cable		
A....72	1.862.740.00		RECORD CURRENT SWITCH, SEE NOTE 1		P....10	54.14.2102	Connector 16 Contacts, Latch, Flat Cable		
A....73	1.862.740.00		RECORD CURRENT SWITCH, SEE NOTE 1		P....11	54.14.2102	Connector 16 Contacts, Latch, Flat Cable		
A....74	1.862.740.00		RECORD CURRENT SWITCH, SEE NOTE 1		P....12	54.14.2102	Connector 16 Contacts, Latch, Flat Cable		
C....11	59.06.0104	100 nF	10%, 63V, PETP		P....13	54.14.2102	Connector 16 Contacts, Latch, Flat Cable		
C....12	59.06.0104	100 nF	10%, 63V, PETP		P....14	54.14.2102	Connector 16 Contacts, Latch, Flat Cable		
C....21	59.06.0104	100 nF	10%, 63V, PETP		P....15	54.14.2102	Connector 16 Contacts, Latch, Flat Cable		
C....22	59.06.0104	100 nF	10%, 63V, PETP		P....16	54.14.2001	Connector 10 Contacts, Flat Cable		
C....31	59.06.0104	100 nF	10%, 63V, PETP		P....17	54.14.2001	Connector 10 Contacts, Flat Cable		
C....32	59.06.0104	100 nF	10%, 63V, PETP		P....18	54.14.2002	Connector 16 Contacts, Flat Cable		
C....41	59.06.0104	100 nF	10%, 63V, PETP		P....19	54.14.2002	Connector 16 Contacts, Flat Cable		
C....42	59.06.0104	100 nF	10%, 63V, PETP		P....20	54.14.2002	Connector 16 Contacts, Flat Cable		
C....51	59.06.0104	100 nF	10%, 63V, PETP		P....21	54.14.2002	Connector 16 Contacts, Flat Cable		
C....52	59.06.0104	100 nF	10%, 63V, PETP		P....22	54.14.2002	Connector 16 Contacts, Flat Cable		
C....61	59.06.0104	100 nF	10%, 63V, PETP		P....23	54.14.2002	Connector 16 Contacts, Flat Cable		
C....62	59.06.0104	100 nF	10%, 63V, PETP		P....24	54.14.2001	Connector 10 Contacts, Flat Cable		
C....71	59.22.3470	47 uF	20%, 10V, EI		P....25	54.25.0004	Connector 4 Contacts	AMP	
C....72	59.22.8109	1 uF	20%, 63V, EI		Q....71	50.03.0458	BD 798	Mot	
C....73	59.22.8109	1 uF	20%, 63V, EI		R....71	57.11.3512	5.1 kOhm 1%		
C....74	59.06.0104	100 nF	10%, 63V, PETP		R....72	57.11.3102	1 kOhm 1%		
C....75	59.06.0104	100 nF	10%, 63V, PETP		R....73	57.11.3220	22 Ohm 1%		
C....76	59.06.0104	100 nF	10%, 63V, PETP		R....74	57.11.3100	10 Ohm 1%		
C....77	59.06.0102	1 nF	10%, 63V, PETP		R....75	57.11.3100	10 Ohm 1%		
C....78	59.06.0104	100 nF	10%, 63V, PETP		R....76	57.11.3102	1 kOhm 1%		
D....71	50.04.0512	1N 5818	1N 5619	Mot	R....77	57.11.3102	220 Ohm 1%		
D....72	50.00.0000	NOT USED			R....78	57.11.3221	220 Ohm 1%		
D....73	50.04.1503	7.5 V Z BZX 65 C 7V5	ITT,Mot,Ph,Tf,SGS,Tho		R....79	57.11.3221	220 Ohm 1%		
IC....4	1.862.799.20	PULSEGEN RECORD AMPLIFIER		ST	R....80	57.11.3221	220 Ohm 1%		
IC....5	1.862.798.20	CONTROL RECORD AMPLIFIER		ST	RZ....11	57.88.2472	4*4,7 kOhm 2% SIP 8		
IC....11	50.17.0574	CD74HC574 .. 74 HCT 574 ..	Ph,RCA,SGS,TI,Tho		RZ....12	57.88.2104	4*100 kOhm 2% SIP 8		
IC....12	50.15.0109	AM26LS33PC DS 26 LS 33 CN	AMD,NS		RZ....13	57.88.2472	4*4,7 kOhm 2% SIP 8		
IC....13	50.15.0109	AM26LS33PC DS 26 LS 33 CN	AMD,NS		RZ....14	57.88.2104	4*100 kOhm 2% SIP 8		
IC....14	50.17.0000	CD74HC00E .. 74 HCT 00 ..	Mot,NS,Ph,RCA		RZ....15	57.88.4103	8* 10 kOhm 2% SIP 9		
IC....15	50.17.0000	CD74HC00E .. 74 HCT 00 ..	Mot,NS,Ph,RCA		RZ....21	57.88.2472	4*4,7 kOhm 2% SIP 8		
IC....16	50.17.1595	MM 74HC595 SN 74 HC 595 ..	NS,SGS,TI		RZ....22	57.88.2104	4*100 kOhm 2% SIP 8		
IC....21	50.17.0574	CD74HC574 .. 74 HCT 574 ..	Ph,RCA,SGS,TI,Tho		RZ....23	57.88.2472	4*4,7 kOhm 2% SIP 8		
IC....22	50.15.0109	AM26LS33PC DS 26 LS 33 CN	AMD,NS		RZ....24	57.88.2104	4*100 kOhm 2% SIP 8		
IC....23	50.15.0109	AM26LS33PC DS 26 LS 33 CN	AMD,NS		RZ....25	57.88.4103	8* 10 kOhm 2% SIP 9		
IC....24	50.17.0000	CD74HC00E .. 74 HCT 00 ..	Mot,NS,Ph,RCA		RZ....31	57.88.2472	4*4,7 kOhm 2% SIP 8		
IC....25	50.17.0000	CD74HC00E .. 74 HCT 00 ..	Mot,NS,Ph,RCA		RZ....32	57.88.2104	4*100 kOhm 2% SIP 8		
IC....26	50.17.1595	MM 74HC595 SN 74 HC 595, M 74 HC 595 NS,SGS,TI			RZ....33	57.88.2472	4*4,7 kOhm 2% SIP 8		
IC....31	50.17.0574	CD74HC574 .. 74 HCT 574 ..	Ph,RCA,SGS,TI,Tho		RZ....34	57.88.2104	4*100 kOhm 2% SIP 8		
IC....32	50.15.0109	AM26LS33PC DS 26 LS 33 CN	AMD,NS		RZ....35	57.88.4103	8* 10 kOhm 2% SIP 9		
IC....33	50.15.0109	AM26LS33PC DS 26 LS 33 CN	AMD,NS		RZ....41	57.88.2472	4*4,7 kOhm 2% SIP 8		
IC....34	50.17.0000	CD74HC00E .. 74 HCT 00 ..	Mot,NS,Ph,RCA		RZ....42	57.88.2104	4*100 kOhm 2% SIP 8		
IC....35	50.17.0000	CD74HC00E .. 74 HCT 00 ..	Mot,NS,Ph,RCA		RZ....43	57.88.2472	4*4,7 kOhm 2% SIP 8		
IC....36	50.17.1595	MM 74HC595 SN 74 HC 595, M 74 HC 595 NS,SGS,TI			RZ....44	57.88.2104	4*100 kOhm 2% SIP 8		
IC....41	50.17.0574	CD74HC574 .. 74 HCT 574 ..	Ph,RCA,SGS,TI,Tho		RZ....45	57.88.4103	8* 10 kOhm 2% SIP 9		
IC....42	50.15.0109	AM26LS33PC DS 26 LS 33 CN	AMD,NS		RZ....51	57.88.2472	4*4,7 kOhm 2% SIP 8		
IC....43	50.15.0109	AM26LS33PC DS 26 LS 33 CN	AMD,NS		RZ....52	57.88.2104	4*100 kOhm 2% SIP 8		
IC....44	50.17.0000	CD74HC00E .. 74 HCT 00 ..	Mot,NS,Ph,RCA		RZ....53	57.88.2472	4*4,7 kOhm 2% SIP 8		
IC....45	50.17.0000	CD74HC00E .. 74 HCT 00 ..	Mot,NS,Ph,RCA		RZ....54	57.88.2104	4*100 kOhm 2% SIP 8		
IC....46	50.17.1595	MM 74HC595 SN 74 HC 595, M 74 HC 595 NS,SGS,TI			RZ....55	57.88.4103	8* 10 kOhm 2% SIP 9		
IC....51	50.17.0574	CD74HC574 .. 74 HCT 574 ..	Ph,RCA,SGS,TI,Tho		RZ....61	57.88.2472	4*4,7 kOhm 2% SIP 8		
IC....52	50.15.0109	AM26LS33PC DS 26 LS 33 CN	AMD,NS		RZ....62	57.88.2104	4*100 kOhm 2% SIP 8		
IC....53	50.15.0109	AM26LS33PC DS 26 LS 33 CN	AMD,NS		RZ....63	57.88.2472	4*4,7 kOhm 2% SIP 8		
IC....54	50.17.0000	CD74HC00E .. 74 HCT 00 ..	Mot,NS,Ph,RCA		RZ....64	57.88.2104	4*100 kOhm 2% SIP 8		
IC....55	50.17.0000	CD74HC00E .. 74 HCT 00 ..	Mot,NS,Ph,RCA		RZ....65	57.88.4103	8* 10 kOhm 2% SIP 9		
IC....56	50.17.1595	MM 74HC595 SN 74 HC 595, M 74 HC 595 NS,SGS,TI			RZ....71	57.88.2472	4*4,7 kOhm 2% SIP 8		
IC....61	50.17.0574	CD74HC574 .. 74 HCT 574 ..	Ph,RCA,SGS,TI,Tho		RZ....72	57.88.2104	4*100 kOhm 2% SIP 8		
IC....62	50.15.0109	AM26LS33PC DS 26 LS 33 CN	AMD,NS		RZ....73	57.88.4103	8* 10 kOhm 2% SIP 9		
IC....63	50.15.0109	AM26LS33PC DS 26 LS 33 CN	AMD,NS		TP....1	54.02.0320	Flat 2.8*0.8, straight		
IC....64	50.17.0000	CD74HC00E .. 74 HCT 00 ..	Mot,NS,Ph,RCA		TP....2	54.02.0320	Flat 2.8*0.8, straight		
IC....65	50.17.0000	CD74HC00E .. 74 HCT 00 ..	Mot,NS,Ph,RCA		TP....3	54.02.0320	Flat 2.8*0.8, straight		
IC....66	50.17.1595	MM 74HC595 SN 74 HC 595, M 74 HC 595 NS,SGS,TI			TP....4	54.02.0320	Flat 2.8*0.8, straight		
IC....71	50.15.0109	AM26LS33PC DS 26 LS 33 CN	AMD,NS		Note 1 - Record current switches 1.862.740-xx are not included in part-list 1.862.712-00				
IC....72	50.21.0074	74 F 74 PC MC 74 F 74 N	Fc,Mot		El=Electrolytic, PETP=Polyesterfilm				
IC....73	50.21.0074	74 F 74 PC MC 74 F 74 N	Fc,Mot		MANUFACTURER: AMD=Advanced Micro Devices, Fc=Fairchild, ITT=Intermetall,				
IC....74	50.06.0123	SN74LS123N	Mot,TI		Mot=Motorola, NS=National Semiconductors, Ph=Philips,				
IC....75	50.06.0113	N 74LS113N SN 74 LS 113 N	Sig,TI		RCA=Radio Corporation of America, SGS=SGS/Ates,				
IC....76	50.15.0109	AM26LS33PC DS 26 LS 33 CN	AMD,NS		Sig=Signetics, St=Studer, Tho=Thosson, TI=Telefunken,				
IC....77	50.17.0000	CD74HC00E .. 74 HCT 00 ..	Mot,NS,Ph,RCA		TI=Texas Instruments.				
IC....78	50.17.0574	CD74HC574 .. 74 HCT 574 ..	Ph,RCA,SGS,TI,Tho		1.862.712.21	RECORD AMPLIFIER 48 CH	IVAB5/12/1400		
IC....79	50.17.0000	CD74HC00E .. 74 HCT 00 ..	Mot,NS,Ph,RCA						
IC....80	50.15.0109	AM26LS33PC DS 26 LS 33 CN	AMD,NS						
IC....81	50.17.1595	MM 74HC595 SN 74 HC 595, M 74 HC 595 NS,SGS,TI							
L....71	62.01.0115	HF Coil, Philips nr.	4312 020 36700						
L....72	62.01.0115	HF Coil, Philips nr.	4312 020 36700						

RECORD CURRENT DRIVER 8CH 1.862.716.81

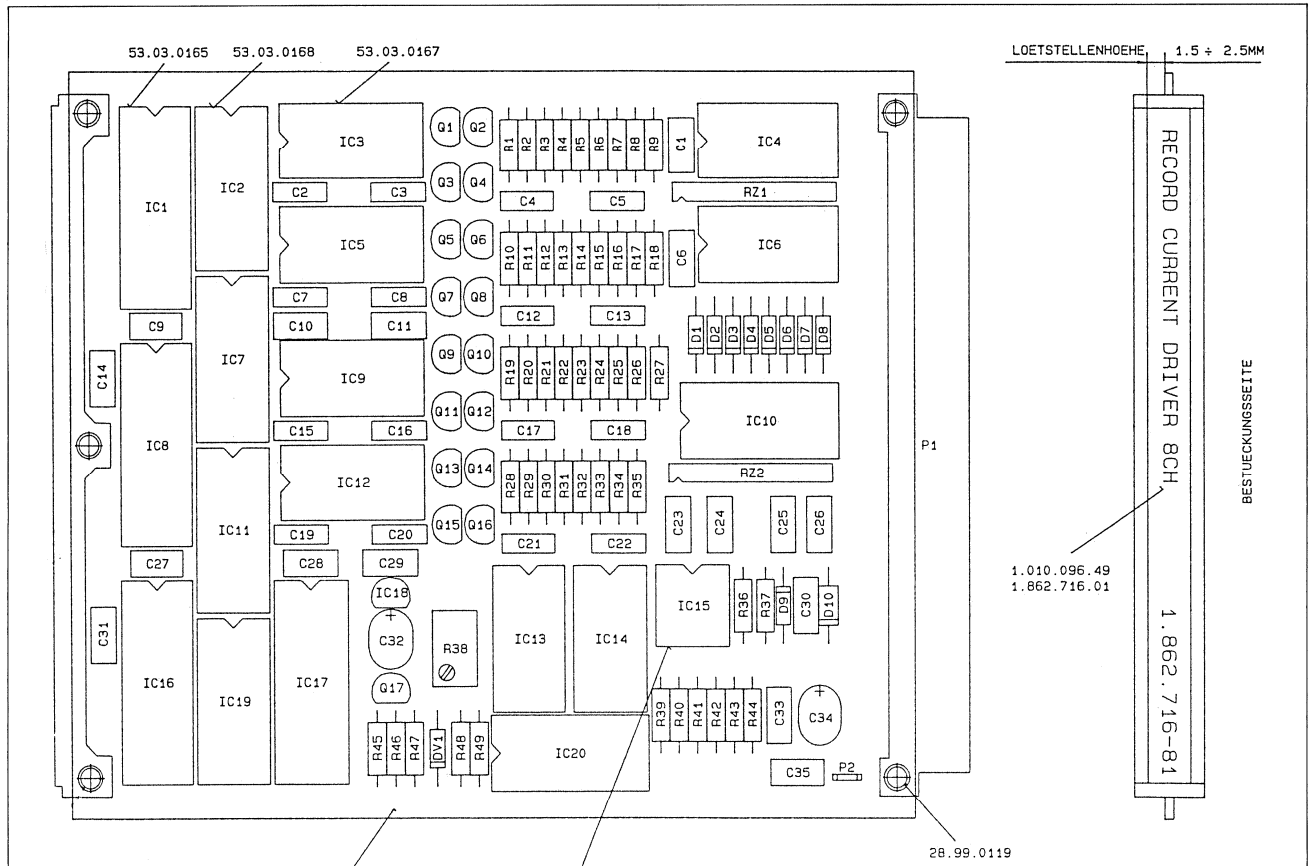


RECORD CURRENT DRIVER 8CH 1.862.716.81





RECORD CURRENT DRIVER 8CH 1.862.716.81



Ad	..POS..	..REF.No...	DESCRIPTION.....	MANUFACTURER	Ad	..POS..	..REF.No...	DESCRIPTION.....	MANUFACTURER
C.....1	59.06.0104	100 nF	10%, 63V, PETP		D.....1	50.04.0125	1N 4448		Fc,ITT,Ph,Ses,Tf
C.....2	59.06.0102	1 nF	10%, 63V, PETP		D.....2	50.04.0125	1N 4448		Fc,ITT,Ph,Ses,Tf
C.....3	59.06.0102	1 nF	10%, 63V, PETP		D.....3	50.04.0125	1N 4448		Fc,ITT,Ph,Ses,Tf
C.....4	59.06.0102	1 nF	10%, 63V, PETP		D.....4	50.04.0125	1N 4448		Fc,ITT,Ph,Ses,Tf
C.....5	59.06.0102	1 nF	10%, 63V, PETP		D.....5	50.04.0125	1N 4448		Fc,ITT,Ph,Ses,Tf
C.....6	59.06.0104	100 nF	10%, 63V, PETP		D.....6	50.04.0125	1N 4448		Fc,ITT,Ph,Ses,Tf
C.....7	59.06.0102	1 nF	10%, 63V, PETP		D.....7	50.04.0125	1N 4448		Fc,ITT,Ph,Ses,Tf
C.....8	59.06.0102	1 nF	10%, 63V, PETP		D.....8	50.04.0125	1N 4448		Fc,ITT,Ph,Ses,Tf
C.....9	59.06.0104	100 nF	10%, 63V, PETP		D.....9	50.04.0125	1N 4448		Fc,ITT,Ph,Ses,Tf
C.....10	59.06.0104	100 nF	10%, 63V, PETP		D.....10	50.04.0512	1N 5818	1N 5818	Mot
C.....11	59.06.0104	100 nF	10%, 63V, PETP		DV....1	50.04.1504	Z 5,6V		ITT,Mot,Ph,Tf,Th
C.....12	59.06.0102	1 nF	10%, 63V, PETP		IC....1	50.07.0026	AD 7528	MP 7528	ADI,MPS
C.....13	59.06.0102	1 nF	10%, 63V, PETP		IC....2	50.17.1595	74 HC 595		NS,SGS,TI
C.....14	59.06.0104	100 nF	10%, 63V, PETP		IC....3	50.09.0104	LM 347 N		NS,Th
C.....15	59.06.0102	1 nF	10%, 63V, PETP		IC....4	50.11.0104	LM 339		Fc,Mot,NS,Th
C.....16	59.06.0102	1 nF	10%, 63V, PETP		IC....5	50.09.0104	LM 347 N		NS,Th
C.....17	59.06.0102	1 nF	10%, 63V, PETP		IC....6	50.11.0104	LM 339		Fc,Mot,NS,Th
C.....18	59.06.0102	1 nF	10%, 63V, PETP		IC....7	50.17.1595	74 HC 595		NS,SGS,TI
C.....19	59.06.0102	1 nF	10%, 63V, PETP		IC....8	50.07.0026	AD 7528	MP 7528	ADI,MPS
C.....20	59.06.0102	1 nF	10%, 63V, PETP		IC....9	50.09.0104	LM 347 N		NS,Th
C.....21	59.06.0102	1 nF	10%, 63V, PETP		IC....10	50.17.1165	74 HC 165		NS,Ph,RCA,TI
C.....22	59.06.0102	1 nF	10%, 63V, PETP		IC....11	50.17.1595	74 HC 595		NS,SGS,TI
C.....23	59.06.0104	100 nF	10%, 63V, PETP		IC....12	50.09.0104	LM 347 N		NS,Th
C.....24	00.00.0000	Not used			IC....13	50.17.1074	74 HC 74		Mot,NS,Ph,RCA,SGS,TI,To
C.....25	59.06.0104	100 nF	10%, 63V, PETP		IC....14	50.17.1003	74 HC 03		Mot,NS,TI
C.....26	00.00.0000	Not used			IC....15	50.05.0283	LM 393 P	LM 393 N, LM 393 DP	TI,NS,Th
C.....27	59.06.0104	100 nF	10%, 63V, PETP		IC....16	50.07.0026	AD 7528	MP 7528	ADI,MPS
C.....28	59.06.0104	100 nF	10%, 63V, PETP		IC....17	50.07.0026	AD 7528	MP 7528	ADI,MPS
C.....29	59.06.0104	100 nF	10%, 63V, PETP		IC....18	50.10.0108	LM 317 LZ		Mot,NS
C.....30	59.06.0104	100 nF	10%, 63V, PETP		IC....19	50.17.1595	74 HC 595		NS,SGS,TI
C.....31	59.06.0104	100 nF	10%, 63V, PETP		IC....20	50.17.1595	74 HC 595		NS,SGS,TI
C.....32	59.26.0470	47 uF	20%, 6.3V, SAL		P.....1	54.11.2004	Connector	2*32 Euro Print	
C.....33	59.06.0104	100 nF	10%, 63V, PETP		P.....2	00.00.0000	GND PIN	NOT USED	
C.....34	59.26.0470	47 uF	20%, 6.3V, SAL						
C.....35	59.06.0104	100 nF	10%, 63V, PETP						





RECORD CURRENT DRIVER 8CH 1.862.716.81

Ad	POS.	REF. No.	DESCRIPTION	MANUFACTURER
Q.....1		50.43.0340	BC 337-25	ITT,NS,Ph,Sie
Q.....2		50.43.0340	BC 337-25	ITT,NS,Ph,Sie
Q.....3		50.43.0351	BC 327-25	ITT,Ph,Sie
Q.....4		50.43.0351	BC 327-25	ITT,Ph,Sie
Q.....5		50.43.0340	BC 337-25	ITT,NS,Ph,Sie
Q.....6		50.43.0340	BC 337-25	ITT,NS,Ph,Sie
Q.....7		50.43.0351	BC 327-25	ITT,Ph,Sie
Q.....8		50.43.0351	BC 327-25	ITT,Ph,Sie
Q.....9		50.43.0340	BC 337-25	ITT,NS,Ph,Sie
Q.....10		50.43.0340	BC 337-25	ITT,NS,Ph,Sie
Q.....11		50.43.0351	BC 327-25	ITT,Ph,Sie
Q.....12		50.43.0351	BC 327-25	ITT,Ph,Sie
Q.....13		50.43.0340	BC 337-25	ITT,NS,Ph,Sie
Q.....14		50.43.0340	BC 337-25	ITT,NS,Ph,Sie
Q.....15		50.43.0351	BC 327-25	ITT,Ph,Sie
Q.....16		50.43.0351	BC 327-25	ITT,Ph,Sie
Q.....17		50.43.0351	BC 327-25	ITT,Ph,Sie
R.....1		57.11.3109	1 Ohm 5%	
R.....2		57.11.3109	1 Ohm 5%	
R.....3		57.11.3109	1 Ohm 5%	
R.....4		57.11.3109	1 Ohm 5%	
R.....5		57.11.3103	10 kOhm 2%	
R.....6		57.11.3103	10 kOhm 2%	
R.....7		57.11.3103	10 kOhm 2%	
R.....8		57.11.3103	10 kOhm 2%	
R.....9		57.11.3112	1,1 kOhm 2%	
R.....10		57.11.3109	1 Ohm 5%	
R.....11		57.11.3109	1 Ohm 5%	
R.....12		57.11.3109	1 Ohm 5%	
R.....13		57.11.3109	1 Ohm 5%	
R.....14		57.11.3103	10 kOhm 2%	
R.....15		57.11.3103	10 kOhm 2%	
R.....16		57.11.3103	10 kOhm 2%	
R.....17		57.11.3103	10 kOhm 2%	
R.....18		57.11.3102	1 kOhm 2%	
R.....19		57.11.3109	1 Ohm 5%	
R.....20		57.11.3109	1 Ohm 5%	
R.....21		57.11.3109	1 Ohm 5%	
R.....22		57.11.3109	1 Ohm 5%	
R.....23		57.11.3103	10 kOhm 2%	
R.....24		57.11.3103	10 kOhm 2%	
R.....25		57.11.3103	10 kOhm 2%	
R.....26		57.11.3103	10 kOhm 2%	
R.....27		57.11.3105	1 MOhm 5%	
R.....28		57.11.3109	1 Ohm 5%	
R.....29		57.11.3109	1 Ohm 5%	
R.....30		57.11.3109	1 Ohm 5%	
R.....31		57.11.3109	1 Ohm 5%	
R.....32		57.11.3103	10 kOhm 2%	
R.....33		57.11.3103	10 kOhm 2%	
R.....34		57.11.3103	10 kOhm 2%	
R.....35		57.11.3103	10 kOhm 2%	
R.....36		57.11.3753	75 kOhm 2%	
R.....37		57.11.3623	62 kOhm 2%	
R.....38		58.05.1501	500 Ohm Potentiometer 22-turn, 5%, linear	
R.....39		57.11.3103	10 kOhm 2%	
R.....40		57.11.3103	10 kOhm 2%	
R.....41		57.11.3332	3,3 kOhm 2%	
R.....42		57.11.3393	39 kOhm 2%	
R.....43		57.11.3393	39 kOhm 2%	
R.....44		57.11.3103	10 kOhm 2%	
R.....45		57.11.3432	4,3 kOhm 2%	
R.....46		57.11.3223	22 kOhm 2%	
R.....47		57.11.3102	1 kOhm 2%	
R.....48		57.11.3132	1,3 kOhm 2%	
R.....49		57.11.3392	3,9 kOhm 2%	
RZ....1		57.88.4103	8 * 10 k see note 2	
RZ....2		57.88.4104	8 * 100 k see note 1	

Note 1 - Network 8 \* 100 kOhm, 5%, single line:  
 Allen Bradley nr. 709 A 104 or 909 A 104  
 Beckmann nr. L - 09 - 1 - R 100 K  
 Bourns nr. 4609 M - 101 - 104  
 or 4609 X - 101 - 104  
 Dale nr. CSC 09 A 01 - 104 G  
 Sprague nr. 256 C J 104 X2 PD  
 Tama nr. MRG C 09 X 100 kOhm G  
 Vitrom nr. F9E 100 kOhm 2%  
 or R88 100 kOhm 2%

Note 2 - Network 8 \* 10 kOhm, 5%, single line:  
 Allen Bradley nr. 909 A 103  
 Beckmann nr. L - 09 - 1 - R 10 k  
 Bourns nr. 4609 M - 101 - 103  
 Dale nr. CSC 09 A 01 - 103 G  
 Sprague nr. 256 C J 103 X2 PD  
 Tama nr. MRG C 09 X 10 kOhm G  
 Vitrom nr. F9E 10 kOhm 2%

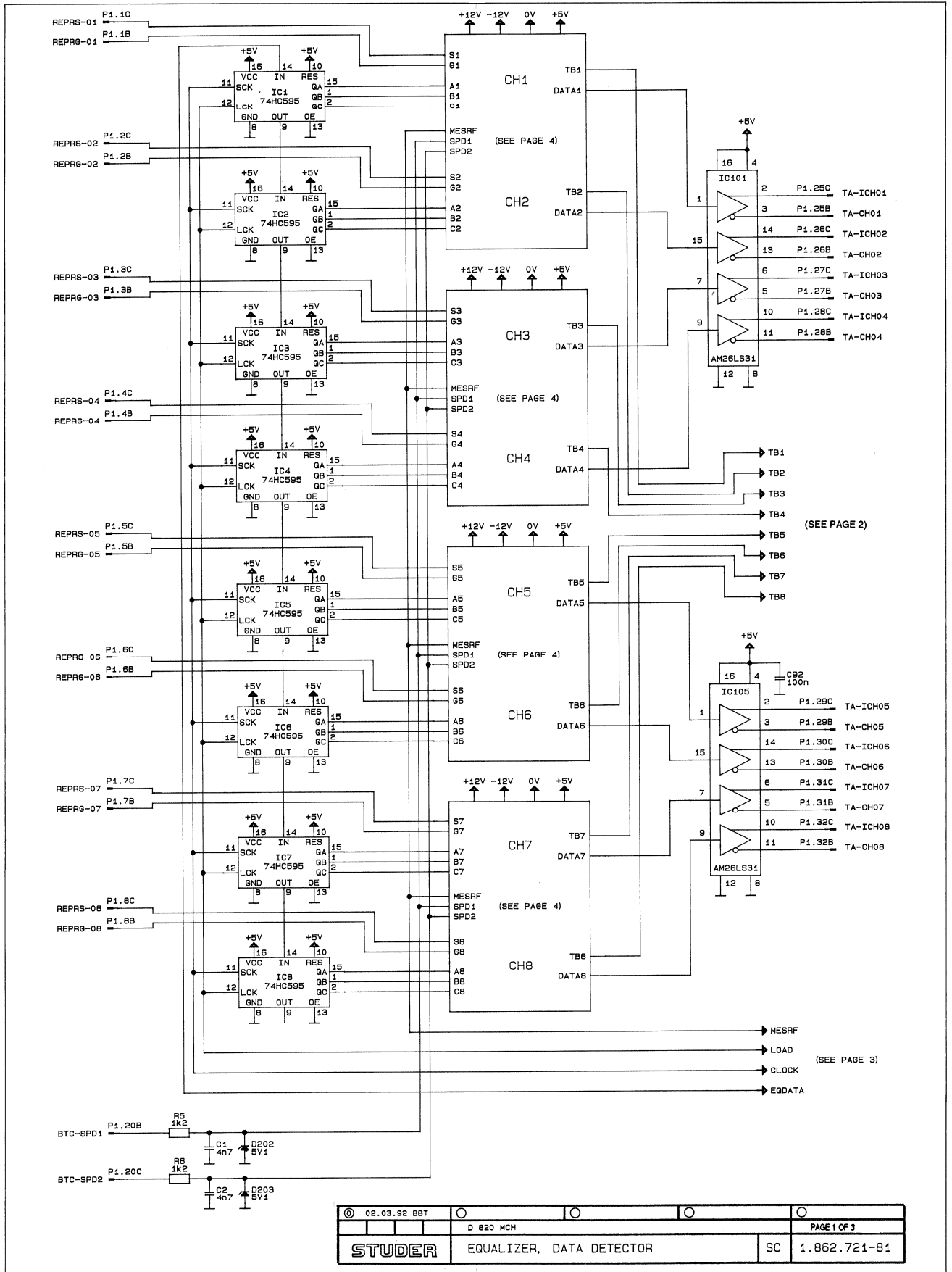
Sal=Solid aluminium  
 PETP=Polyester film

MANUFACTURER: ADI=Analogue Devices Inc.,Fc=Fairchild,ITT=Intermetall,  
 MPS=Micro Power Systems,Mot=Motorola,NS=National Semic.  
 Ph=Philips,RCA=RCA Corporation of America,Ses=Sescosem,  
 SGS=SGS/Ates, Sie=Siemens,Tf=Telefunken,Th=Thomson CSF,  
 TI=Texas Instruments, To=Toshiba.

1.862.716.81 RECORD CURRENT DRIVER BBT93/09/1000

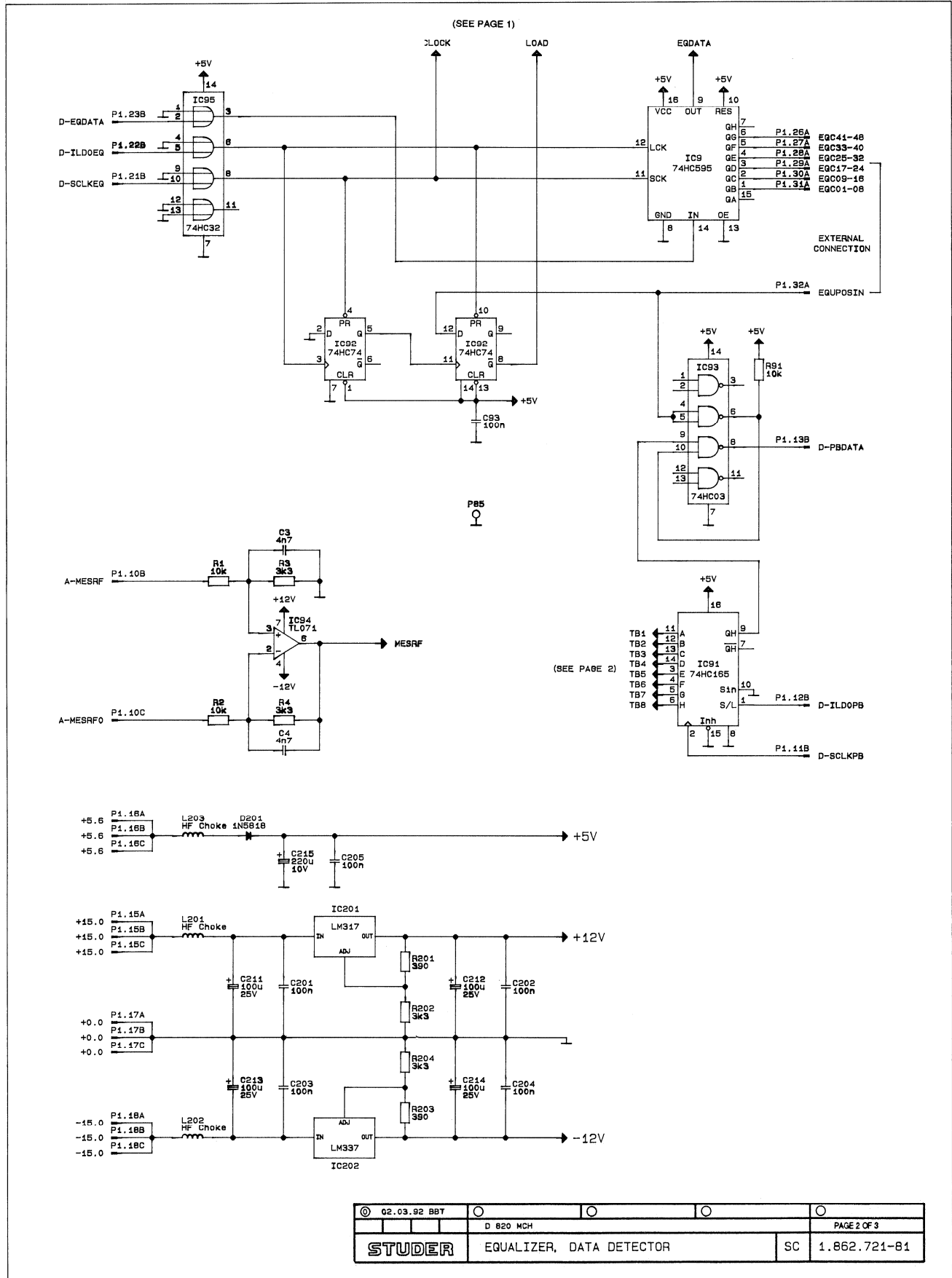


EQUALIZER DATA DETECTOR 1.862.721.81

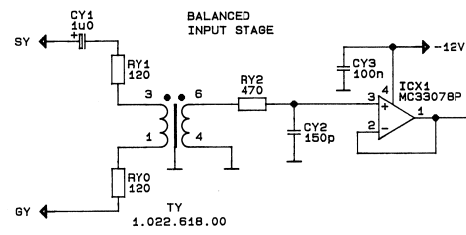
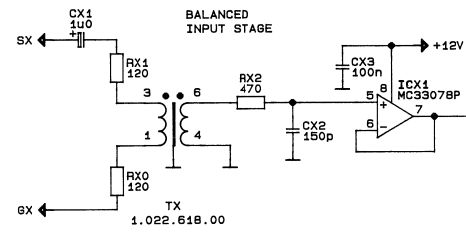
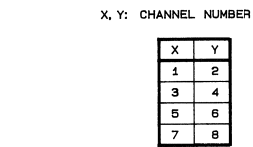




EQUALIZER DATA DETECTOR 1.862.721.81

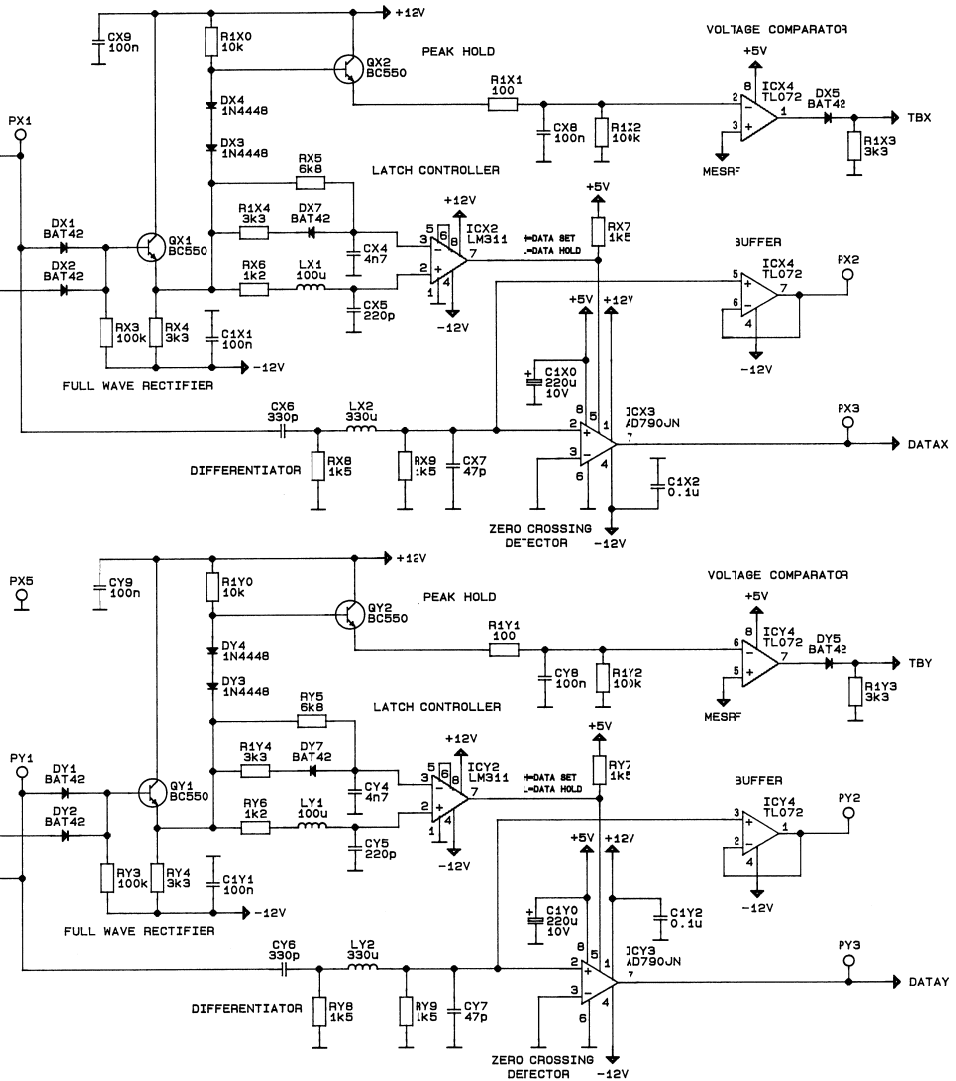
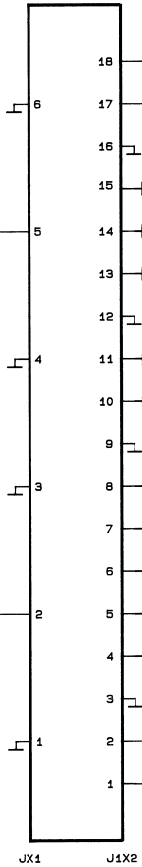


EQUALIZER DATA DETECTOR 1.862.721.81



2 OF 8 CHANNELS ON THIS PCB SHOWN

EQUALIZER MODULE  
1.862.742.00



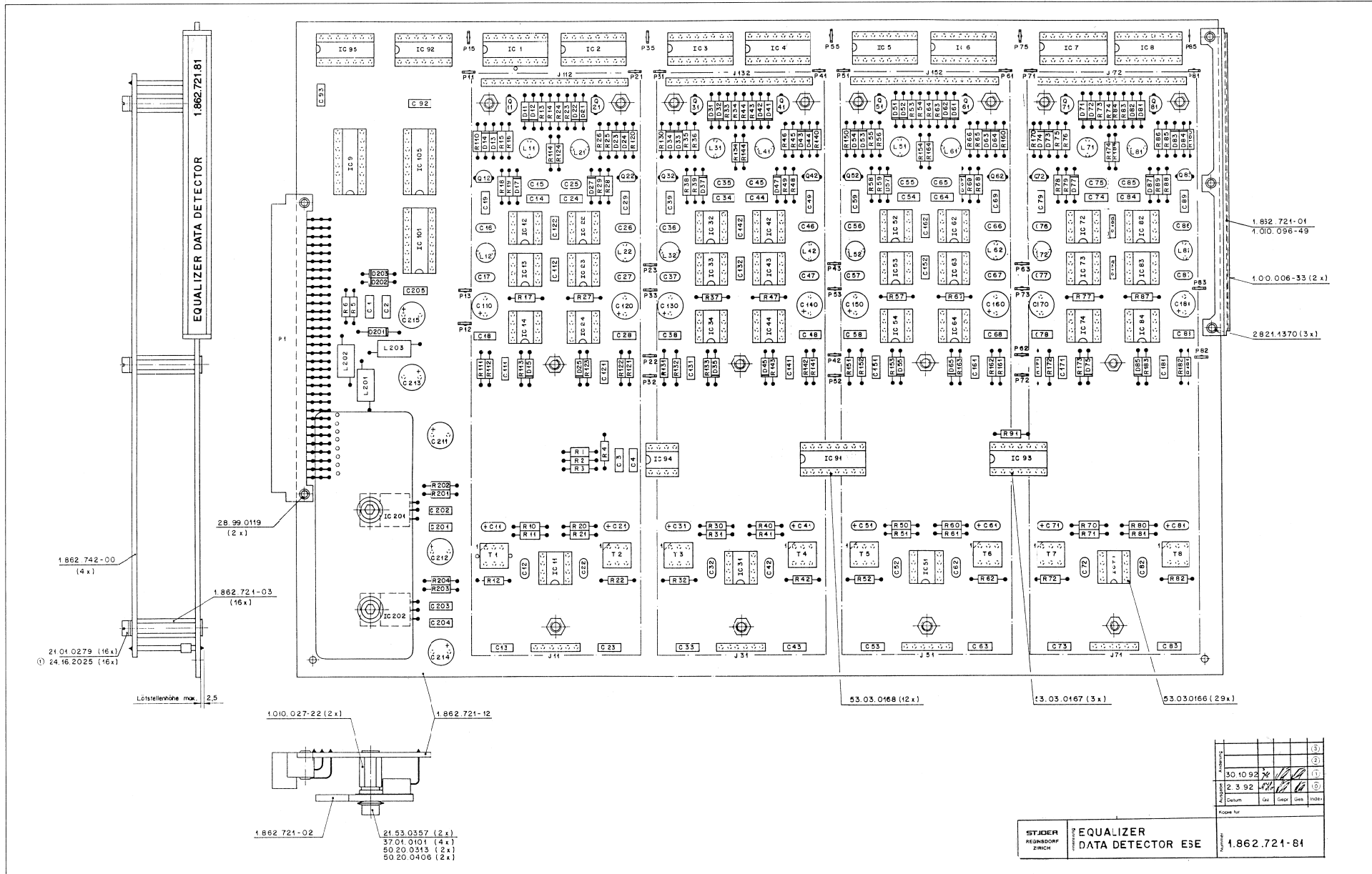
TESTPOINTS:

- P\_1: EQUALIZED READ SIGNAL (EYE PATTERN)
- P\_2: DIFFERENTIATED SIGNAL (EYE PATTERN)
- P\_3: RECOVERED DATA, DETECTOR OUTPUT (TRIGGER FOR EYE PATTERN)
- P\_5: GROUND

02.03.92 BBT	D 820 MCH		PAGE: 3 OF 3
<b>STUDER</b>		EQUALIZER, DATA DETECTOR	SC 1.862.721-81



EQUALIZER DATA DETECTOR 1.862.721.81





EQUALIZER DATA DETECTOR 1.862.721.81

Ad	..POS..	..REF.No..	DESCRIPTION	MANUFACTURER	Ad	..POS..	..REF.No..	DESCRIPTION	MANUFACTURER
01	A.....1	1.862.742.00	EQUALIZER MODUL	St	C...141	59.06.0104	100 nF	10%, 63V, PETP	
01	A.....2	1.862.742.00	EQUALIZER MODUL	St	C...152	59.06.0104	100 nF	10%, 63V, PETP	
01	A.....3	1.862.742.00	EQUALIZER MODUL	St	C...150	59.22.3221	220 uF	-20%, 10V, EI	
01	A.....4	1.862.742.00	EQUALIZER MODUL	St	C...151	59.06.0104	100 nF	10%, 63V, PETP	
C....1	59.06.0472	4.7 nF	10%, 63V, PETP		C...152	59.06.0104	100 nF	10%, 63V, PETP	
C....2	59.06.0472	4.7 nF	10%, 63V, PETP		C...160	59.22.3221	220 uF	-20%, 10V, EI	
C....3	59.06.0472	4.7 nF	10%, 63V, PETP		C...161	59.06.0104	100 nF	10%, 63V, PETP	
C....4	59.06.0472	4.7 nF	10%, 63V, PETP		C...172	59.06.0104	100 nF	10%, 63V, PETP	
C...11	59.26.9109	1 uF	20%, 40V, SaI	Ph	C...170	59.22.3221	220 uF	-20%, 10V, EI	
C...12	59.34.4151	150 pF	5%, 63V, Cer		C...171	59.06.0104	100 nF	10%, 63V, PETP	
C...13	59.06.0104	100 nF	10%, 63V, PETP		C...172	59.06.0104	100 nF	10%, 63V, PETP	
C...14	59.06.0472	4.7 nF	10%, 63V, PETP		C...180	59.22.3221	220 uF	-20%, 10V, EI	
C...15	59.34.4221	220 pF	5%, 63V, Cer		C...181	59.06.0104	100 nF	10%, 63V, PETP	
C...16	59.34.4331	330 pF	5%, 63V, Cer		C...182	59.06.0104	100 nF	10%, 63V, PETP	
C...17	59.34.2470	47 pF	5%, 63V, Cer		C...201	59.06.0104	100 nF	10%, 63V, PETP	
C...18	59.06.0104	100 nF	10%, 63V, PETP		C...202	59.06.0104	100 nF	10%, 63V, PETP	
C...19	59.06.0104	100 nF	10%, 63V, PETP		C...203	59.06.0104	100 nF	10%, 63V, PETP	
C...21	59.26.9109	1 uF	20%, 40V, SaI	Ph	C...204	59.06.0104	100 nF	10%, 63V, PETP	
C...22	59.34.4151	150 pF	5%, 63V, Cer		C...205	59.06.0104	100 nF	10%, 63V, PETP	
C...23	59.06.0104	100 nF	10%, 63V, PETP		C...212	59.22.5101	100 uF	-20%, 25V, EI	
C...24	59.06.0472	4.7 nF	10%, 63V, PETP		C...213	59.22.5101	100 uF	-20%, 25V, EI	
C...25	59.34.4221	220 pF	5%, 63V, Cer		C...214	59.22.5101	100 uF	-20%, 25V, EI	
C...26	59.34.4331	330 pF	5%, 63V, Cer		C...215	59.22.3221	220 uF	-20%, 10V, EI	
C...27	59.34.2470	47 pF	5%, 63V, Cer		D....11	50.04.0127	BAT 42	BAT 85	Ph,SGS,Tho
C...28	59.06.0104	100 nF	10%, 63V, PETP		D....12	50.04.0127	BAT 42	BAT 85	Ph,SGS,Tho
C...29	59.06.0104	100 nF	10%, 63V, PETP		D....13	50.04.0125	1N 4448		Fc,ITT,Ph,Tf
C...31	59.26.9109	1 uF	20%, 40V, SaI	Ph	D....14	50.04.0125	1N 4448		Fc,ITT,Ph,Tf
C...32	59.34.4151	150 pF	5%, 63V, Cer		D....15	50.04.0127	BAT 42	BAT 85	Ph,SGS,Tho
C...33	59.06.0104	100 nF	10%, 63V, PETP		D....16	00.00.0000	unused		
C...34	59.06.0472	4.7 nF	10%, 63V, PETP		D....17	50.04.0127	BAT 42	BAT 85	Ph,SGS,Tho
C...35	59.34.4221	220 pF	5%, 63V, Cer		D....21	50.04.0127	BAT 42	BAT 85	Ph,SGS,Tho
C...36	59.34.4331	330 pF	5%, 63V, Cer		D....22	50.04.0127	BAT 42	BAT 85	Ph,SGS,Tho
C...37	59.34.2470	47 pF	5%, 63V, Cer		D....23	50.04.0125	1N 4448		Fc,ITT,Ph,Tf
C...38	59.06.0104	100 nF	10%, 63V, PETP		D....24	50.04.0125	1N 4448		Fc,ITT,Ph,Tf
C...39	59.06.0104	100 nF	10%, 63V, PETP		D....25	50.04.0127	BAT 42	BAT 85	Ph,SGS,Tho
C...41	59.26.9109	1 uF	20%, 40V, SaI	Ph	D....27	50.04.0127	BAT 42	BAT 85	Ph,SGS,Tho
C...42	59.34.4151	150 pF	5%, 63V, Cer		D....31	50.04.0127	BAT 42	BAT 85	Ph,SGS,Tho
C...43	59.06.0104	100 nF	10%, 63V, PETP		D....32	50.04.0127	BAT 42	BAT 85	Ph,SGS,Tho
C...44	59.06.0472	4.7 nF	10%, 63V, PETP		D....33	50.04.0125	1N 4448		Fc,ITT,Ph,Tf
C...45	59.34.4221	220 pF	5%, 63V, Cer		D....34	50.04.0125	1N 4448		Fc,ITT,Ph,Tf
C...46	59.34.4331	330 pF	5%, 63V, Cer		D....35	50.04.0127	BAT 42	BAT 85	Ph,SGS,Tho
C...47	59.34.2470	47 pF	5%, 63V, Cer		D....36	00.00.0000	unused		
C...48	59.06.0104	100 nF	10%, 63V, PETP		D....37	50.04.0127	BAT 42	BAT 85	Ph,SGS,Tho
C...49	59.06.0104	100 nF	10%, 63V, PETP		D....41	50.04.0127	BAT 42	BAT 85	Ph,SGS,Tho
C...51	59.26.9109	1 uF	20%, 40V, SaI	Ph	D....42	50.04.0127	BAT 42	BAT 85	Ph,SGS,Tho
C...52	59.34.4151	150 pF	5%, 63V, Cer		D....43	50.04.0125	1N 4448		Fc,ITT,Ph,Tf
C...53	59.06.0104	100 nF	10%, 63V, PETP		D....44	50.04.0125	1N 4448		Fc,ITT,Ph,Tf
C...54	59.06.0472	4.7 nF	10%, 63V, PETP		D....45	50.04.0127	BAT 42	BAT 85	Ph,SGS,Tho
C...55	59.34.4221	220 pF	5%, 63V, Cer		D....47	50.04.0127	BAT 42	BAT 85	Ph,SGS,Tho
C...56	59.34.4331	330 pF	5%, 63V, Cer		D....51	50.04.0127	BAT 42	BAT 85	Ph,SGS,Tho
C...57	59.34.2470	47 pF	5%, 63V, Cer		D....52	50.04.0127	BAT 42	BAT 85	Ph,SGS,Tho
C...58	59.06.0104	100 nF	10%, 63V, PETP		D....53	50.04.0125	1N 4448		Fc,ITT,Ph,Tf
C...59	59.06.0104	100 nF	10%, 63V, PETP		D....54	50.04.0125	1N 4448		Fc,ITT,Ph,Tf
C...61	59.26.9109	1 uF	20%, 40V, SaI	Ph	D....55	50.04.0127	BAT 42	BAT 85	Ph,SGS,Tho
C...62	59.34.4151	150 pF	5%, 63V, Cer		D....56	00.00.0000	unused		
C...63	59.06.0104	100 nF	10%, 63V, PETP		D....57	50.04.0127	BAT 42	BAT 85	Ph,SGS,Tho
C...64	59.06.0472	4.7 nF	10%, 63V, PETP		D....61	50.04.0127	BAT 42	BAT 85	Ph,SGS,Tho
C...65	59.34.4221	220 pF	5%, 63V, Cer		D....62	50.04.0127	BAT 42	BAT 85	Ph,SGS,Tho
C...66	59.34.4331	330 pF	5%, 63V, Cer		D....63	50.04.0125	1N 4448		Fc,ITT,Ph,Tf
C...67	59.34.2470	47 pF	5%, 63V, Cer		D....64	50.04.0125	1N 4448		Fc,ITT,Ph,Tf
C...68	59.06.0104	100 nF	10%, 63V, PETP		D....65	50.04.0127	BAT 42	BAT 85	Ph,SGS,Tho
C...69	59.06.0104	100 nF	10%, 63V, PETP		D....67	50.04.0127	BAT 42	BAT 85	Ph,SGS,Tho
C...71	59.26.9109	1 uF	20%, 40V, SaI	Ph	D....71	50.04.0127	BAT 42	BAT 85	Ph,SGS,Tho
C...72	59.34.4151	150 pF	5%, 63V, Cer		D....72	50.04.0127	BAT 42	BAT 85	Ph,SGS,Tho
C...73	59.06.0104	100 nF	10%, 63V, PETP		D....73	50.04.0125	1N 4448		Fc,ITT,Ph,Tf
C...74	59.06.0472	4.7 nF	10%, 63V, PETP		D....74	50.04.0125	1N 4448		Fc,ITT,Ph,Tf
C...75	59.34.4221	220 pF	5%, 63V, Cer		D....75	50.04.0127	BAT 42	BAT 85	Ph,SGS,Tho
C...76	59.34.4331	330 pF	5%, 63V, Cer		D....76	00.00.0000	unused		
C...77	59.34.2470	47 pF	5%, 63V, Cer		D....77	50.04.0127	BAT 42	BAT 85	Ph,SGS,Tho
C...78	59.06.0104	100 nF	10%, 63V, PETP		D....81	50.04.0127	BAT 42	BAT 85	Ph,SGS,Tho
C...79	59.06.0104	100 nF	10%, 63V, PETP		D....82	50.04.0127	BAT 42	BAT 85	Ph,SGS,Tho
C...81	59.26.9109	1 uF	20%, 40V, SaI	Ph	D....83	50.04.0125	1N 4448		Fc,ITT,Ph,Tf
C...82	59.34.4151	150 pF	5%, 63V, Cer		D....84	50.04.0125	1N 4448		Fc,ITT,Ph,Tf
C...83	59.06.0104	100 nF	10%, 63V, PETP		D....85	50.04.0127	BAT 42	BAT 85	Ph,SGS,Tho
C...84	59.06.0472	4.7 nF	10%, 63V, PETP		D....87	50.04.0127	BAT 42	BAT 85	Ph,SGS,Tho
C...85	59.34.4221	220 pF	5%, 63V, Cer		D....88	50.04.0127	BAT 42	BAT 85	Ph,SGS,Tho
C...86	59.34.4331	330 pF	5%, 63V, Cer		D....89	50.04.0127	BAT 42	BAT 85	Ph,SGS,Tho
C...87	59.34.2470	47 pF	5%, 63V, Cer		D....92	59.06.0104	100 nF	10%, 63V, PETP	
C...88	59.06.0104	100 nF	10%, 63V, PETP		D....93	59.06.0104	100 nF	10%, 63V, PETP	
C...89	59.06.0104	100 nF	10%, 63V, PETP		C...110	59.22.3221	220 uF	-20%, 10V, EI	
C...92	59.06.0104	100 nF	10%, 63V, PETP		C...111	59.06.0104	100 nF	10%, 63V, PETP	
C...93	59.06.0104	100 nF	10%, 63V, PETP		C...112	59.06.0104	100 nF	10%, 63V, PETP	
C...110	59.22.3221	220 uF	-20%, 10V, EI		C...120	59.22.3221	220 uF	-20%, 10V, EI	
C...111	59.06.0104	100 nF	10%, 63V, PETP		C...121	59.06.0104	100 nF	10%, 63V, PETP	
C...112	59.06.0104	100 nF	10%, 63V, PETP		C...122	59.06.0104	100 nF	10%, 63V, PETP	
C...120	59.22.3221	220 uF	-20%, 10V, EI		C...130	59.22.3221	220 uF	-20%, 10V, EI	
C...121	59.06.0104	100 nF	10%, 63V, PETP		C...131	59.06.0104	100 nF	10%, 63V, PETP	
C...122	59.06.0104	100 nF	10%, 63V, PETP		C...132	59.06.0104	100 nF	10%, 63V, PETP	
C...130	59.22.3221	220 uF	-20%, 10V, EI		C...140	59.22.3221	220 uF	-20%, 10V, EI	
C...131	59.06.0104	100 nF	10%, 63V, PETP						
C...132	59.06.0104	100 nF	10%, 63V, PETP						
C...140	59.22.3221	220 uF	-20%, 10V, EI						
D....201	50.04.0512	1N 5818			D....202	50.04.1112	5.1 V	Z, 0.4M	ITT,Mot,Ph,SGS,Tf,Tho
D....202	50.04.1112	5.1 V			D....203	50.04.1112	5.1 V	Z, 0.4M	ITT,Mot,Ph,SGS,Tf,Tho
IC....1	50.17.1595	74 HC 595							
IC....2	50.17.1595	74 HC 595							
IC....3	50.17.1595	74 HC 595							
IC....4	50.17.1595	74 HC 595							
IC....5	50.17.1595	74 HC 595							
IC....6	50.17.1595	74 HC 595							
IC....7	50.17.1595	74 HC 595							
IC....8	50.17.1595	74 HC 595							
IC....9	50.17.1595	74 HC 595							



EQUALIZER DATA DETECTOR 1.862.721.81

Ad	POS.	REF.No.	DESCRIPTION	MANUFACTURER	Ad	POS.	REF.No.	DESCRIPTION	MANUFACTURER
IC...	11	50.09.0117	MC 33078 P	Mot	P...	35	54.02.0320	Connector	Faston
IC...	12	50.11.0114	LM 311 N	Mot					
IC...	13	50.11.1001	AD 790JN	AD	P...	41	54.02.0320	Connector	Faston
IC...	14	50.09.0101	TL 072	Mot,SGS,TI	P...	42	54.02.0320	Connector	Faston
					P...	43	54.02.0320	Connector	Faston
IC...	22	50.11.0114	LM 311 N	Mot					
IC...	23	50.11.1001	AD 790JN	AD	P...	51	54.02.0320	Connector	Faston
IC...	24	50.09.0101	TL 072	Mot,SGS,TI	P...	52	54.02.0320	Connector	Faston
					P...	53	54.02.0320	Connector	Faston
					P...	55	54.02.0320	Connector	Faston
IC...	31	50.09.0117	MC 33078 P	Mot					
IC...	32	50.11.0114	LM 311 N	Mot					
IC...	33	50.11.1001	AD 790JN	AD	P...	61	54.02.0320	Connector	Faston
IC...	34	50.09.0101	TL 072	Mot,SGS,TI	P...	62	54.02.0320	Connector	Faston
					P...	63	54.02.0320	Connector	Faston
IC...	42	50.11.0114	LM 311 N	Mot					
IC...	43	50.11.1001	AD 790JN	AD	P...	71	54.02.0320	Connector	Faston
IC...	44	50.09.0101	TL 072	Mot,SGS,TI	P...	72	54.02.0320	Connector	Faston
					P...	73	54.02.0320	Connector	Faston
					P...	75	54.02.0320	Connector	Faston
IC...	51	50.09.0117	MC 33078 P	Mot					
IC...	52	50.11.0114	LM 311 N	Mot	P...	81	54.02.0320	Connector	Faston
IC...	53	50.11.1001	AD 790JN	AD	P...	82	54.02.0320	Connector	Faston
IC...	54	50.09.0101	TL 072	Mot,SGS,TI	P...	83	54.02.0320	Connector	Faston
					P...	85	54.02.0320	Connector	Faston
IC...	62	50.11.0114	LM 311 N	Mot					
IC...	63	50.11.1001	AD 790JN	AD	Q....	11	50.03.0497	BC 550	E 6328
IC...	64	50.09.0101	TL 072	Mot,SGS,TI	Q....	12	50.03.0497	BC 550	E 6328
									Sie
IC...	71	50.09.0117	MC 33078 P	Mot					
IC...	72	50.11.0114	LM 311 N	Mot	Q....	21	50.03.0497	BC 550	E 6328
IC...	73	50.11.1001	AD 790JN	AD	Q....	22	50.03.0497	BC 550	E 6328
IC...	74	50.09.0101	TL 072	Mot,SGS,TI					
					Q....	31	50.03.0497	BC 550	E 6328
					Q....	32	50.03.0497	BC 550	E 6328
IC...	82	50.11.0114	LM 311 N	Mot					
IC...	83	50.11.1001	AD 790JN	AD	Q....	41	50.03.0497	BC 550	E 6328
IC...	84	50.09.0101	TL 072	Mot,SGS,TI	Q....	42	50.03.0497	BC 550	E 6328
									Sie
									Sie
IC...	91	50.17.1165	74 HC 165	NS,Ph,RCA,TI	Q....	51	50.03.0497	BC 550	E 6328
IC...	92	50.17.1074	74 HC 74	Mot,NS,Ph,RCA,SGS,Tho,TI,To	Q....	52	50.03.0497	BC 550	E 6328
IC...	93	50.17.1003	74 HC 03	Mot,NS,TI					
IC...	94	50.09.0103	TL 071	TI					
IC...	95	50.17.1032	74 HC 32	Mot,NS,Ph,RCA,SGS,Tho,TI,To	Q....	61	50.03.0497	BC 550	E 6328
					Q....	62	50.03.0497	BC 550	E 6328
									Sie
									Sie
IC...	101	50.15.0108	AM26LS31	AMD,Mot,TI	Q....	71	50.03.0497	BC 550	E 6328
IC...	105	50.15.0108	AM26LS31	AMD,Mot,TI	Q....	72	50.03.0497	BC 550	E 6328
									Sie
IC...	201	50.10.0104	LM 317	Mot,NS,SGS,Tho,TI	Q....	81	50.03.0497	BC 550	E 6328
IC...	202	50.10.0105	LM 337	Mot,NS,SGS,Tho,TI	Q....	82	50.03.0497	BC 550	E 6328
									Sie
J....	11	53.03.0218	Connector 6 pcs		R....	1	57.11.3103	10 kOhm	5%, MF
J....	31	53.03.0218	Connector 6 pcs		R....	2	57.11.3103	10 kOhm	5%, MF
J....	51	53.03.0218	Connector 6 pcs		R....	3	57.11.3332	3.3 kOhm	5%, MF
J....	71	53.03.0218	Connector 6 pcs		R....	4	57.11.3332	3.3 kOhm	5%, MF
					R....	5	57.11.3122	1.2 kOhm	5%, MF
					R....	6	57.11.3122	1.2 kOhm	5%, MF
					R....	10	57.11.3121	120 Ohm	5%, MF
J....	112	53.03.0218	Connector 18 pcs		R....	11	57.11.3121	120 Ohm	5%, MF
J....	132	53.03.0218	Connector 18 pcs		R....	12	57.11.3471	470 Ohm	5%, MF
J....	152	53.03.0218	Connector 18 pcs		R....	13	57.11.3104	100 kOhm	5%, MF
J....	172	53.03.0218	Connector 18 pcs		R....	14	57.11.3332	3.3 kOhm	5%, MF
					R....	15	57.11.3682	6.8 kOhm	5%, MF
					R....	16	57.11.3122	1.2 kOhm	5%, MF
					R....	17	57.11.3152	1.5 kOhm	5%, MF
					R....	18	57.11.3152	1.5 kOhm	5%, MF
					R....	19	57.11.3152	1.5 kOhm	5%, MF
					R....	20	57.11.3121	120 Ohm	5%, MF
L....	11	62.02.3101	100 uH 10%, note 1	TDK	R....	21	57.11.3121	120 Ohm	5%, MF
L....	12	62.02.3331	330 uH 10%, note 2	TDK	R....	22	57.11.3471	470 Ohm	5%, MF
					R....	23	57.11.3104	100 kOhm	5%, MF
L....	21	62.02.3101	100 uH 10%, note 1	TDK	R....	24	57.11.3332	3.3 kOhm	5%, MF
L....	22	62.02.3331	330 uH 10%, note 2	TDK	R....	25	57.11.3682	6.8 kOhm	5%, MF
					R....	26	57.11.3122	1.2 kOhm	5%, MF
L....	31	62.02.3101	100 uH 10%, note 1	TDK	R....	27	57.11.3152	1.5 kOhm	5%, MF
L....	32	62.02.3331	330 uH 10%, note 2	TDK	R....	28	57.11.3152	1.5 kOhm	5%, MF
					R....	29	57.11.3152	1.5 kOhm	5%, MF
L....	41	62.02.3101	100 uH 10%, note 1	TDK	R....	30	57.11.3121	120 Ohm	5%, MF
L....	42	62.02.3331	330 uH 10%, note 2	TDK	R....	31	57.11.3121	120 Ohm	5%, MF
					R....	32	57.11.3471	470 Ohm	5%, MF
					R....	33	57.11.3104	100 kOhm	5%, MF
L....	71	62.02.3101	100 uH 10%, note 1	TDK	R....	34	57.11.3332	3.3 kOhm	5%, MF
L....	72	62.02.3331	330 uH 10%, note 2	TDK	R....	35	57.11.3682	6.8 kOhm	5%, MF
					R....	36	57.11.3122	1.2 kOhm	5%, MF
					R....	37	57.11.3152	1.5 kOhm	5%, MF
					R....	38	57.11.3152	1.5 kOhm	5%, MF
					R....	39	57.11.3152	1.5 kOhm	5%, MF
					R....	40	57.11.3121	120 Ohm	5%, MF
L....	201	62.01.0115	HF Choke note 3	Ph	R....	41	57.11.3121	120 Ohm	5%, MF
L....	202	62.01.0115	HF Choke note 3	Ph	R....	42	57.11.3471	470 Ohm	5%, MF
L....	203	62.01.0115	HF Choke note 3	Ph	R....	43	57.11.3104	100 kOhm	5%, MF
P....	1	54.01.0358	Connector Eurocard, 96-pin, right angle		R....	44	57.11.3332	3.3 kOhm	5%, MF
					R....	45	57.11.3682	6.8 kOhm	5%, MF
P....	11	54.02.0320	Connector Faston		R....	46	57.11.3122	1.2 kOhm	5%, MF
P....	12	54.02.0320	Connector Faston		R....	47	57.11.3152	1.5 kOhm	5%, MF
P....	13	54.02.0320	Connector Faston		R....	48	57.11.3152	1.5 kOhm	5%, MF
P....	15	54.02.0320	Connector Faston		R....	49	57.11.3152	1.5 kOhm	5%, MF
					R....	50	57.11.3121	120 Ohm	5%, MF
P....	21	54.02.0320	Connector Faston		R....	51	57.11.3121	120 Ohm	5%, MF
P....	22	54.02.0320	Connector Faston		R....	52	57.11.3471	470 Ohm	5%, MF
P....	23	54.02.0320	Connector Faston		R....	53	57.11.3104	100 kOhm	5%, MF
					R....	54	57.11.3332	3.3 kOhm	5%, MF
P....	31	54.02.0320	Connector Faston		R....	55	57.11.3682	6.8 kOhm	5%, MF
P....	32	54.02.0320	Connector Faston						
P....	33	54.02.0320	Connector Faston						



EQUALIZER DATA DETECTOR 1.862.721.81

Ad	POS.	REF.No.	DESCRIPTION	MANUFACTURER	Ad	POS.	REF.No.	DESCRIPTION	MANUFACTURER
R...	56	57.11.3122	1.2 kOhm	5%, MF	Note 2: TDK order number: EL 0606 SKI - 331 K Note 3: Philips order number: 4312 020 36700 Cer=Ceramic, El=Electrolytic, MF=Metalfilm, PETP=Polyesterfilm, Sal=Solid Aluminium Manufacturers: AD=Analog Devices, AMD=Advanced Micro Devices, Fc=Fairchild, IIT=Intermetal, Mot=Motorola, NS=National Semiconductors, Ph=Philips, RCA=Radio Corporation of America, Ra=Raytheon, SGS=SGS/Ates, Sie=Siemens, St=Studer, Tf=Telefunken, Tho=Thomson, TI=Texas Instruments, To=Toshiba.				
R...	57	57.11.3152	1.5 kOhm	5%, MF					
R...	58	57.11.3152	1.5 kOhm	5%, MF					
R...	59	57.11.3152	1.5 kOhm	5%, MF					
R...	60	57.11.3121	120 Ohm	5%, MF					
R...	61	57.11.3121	120 Ohm	5%, MF					
R...	62	57.11.3471	470 Ohm	5%, MF					
R...	63	57.11.3104	100 kOhm	5%, MF					
R...	64	57.11.3332	3.3 kOhm	5%, MF					
R...	65	57.11.3682	6.8 kOhm	5%, MF					
R...	66	57.11.3122	1.2 kOhm	5%, MF					
R...	67	57.11.3152	1.5 kOhm	5%, MF					
R...	68	57.11.3152	1.5 kOhm	5%, MF					
R...	69	57.11.3152	1.5 kOhm	5%, MF					
R...	70	57.11.3121	120 Ohm	5%, MF					
R...	71	57.11.3121	120 Ohm	5%, MF	END +				
R...	72	57.11.3471	470 Ohm	5%, MF					
R...	73	57.11.3104	100 kOhm	5%, MF					
R...	74	57.11.3332	3.3 kOhm	5%, MF					
R...	75	57.11.3682	6.8 kOhm	5%, MF					
R...	76	57.11.3122	1.2 kOhm	5%, MF					
R...	77	57.11.3152	1.5 kOhm	5%, MF					
R...	78	57.11.3152	1.5 kOhm	5%, MF					
R...	79	57.11.3152	1.5 kOhm	5%, MF					
R...	80	57.11.3121	120 Ohm	5%, MF					
R...	81	57.11.3121	120 Ohm	5%, MF					
R...	82	57.11.3471	470 Ohm	5%, MF					
R...	83	57.11.3104	100 kOhm	5%, MF					
R...	84	57.11.3332	3.3 kOhm	5%, MF					
R...	85	57.11.3682	6.8 kOhm	5%, MF					
R...	86	57.11.3122	1.2 kOhm	5%, MF					
R...	87	57.11.3152	1.5 kOhm	5%, MF					
R...	88	57.11.3152	1.5 kOhm	5%, MF					
R...	89	57.11.3152	1.5 kOhm	5%, MF					
R...	91	57.11.3103	10 kOhm	5%, MF					
R...	110	57.11.3103	10 kOhm	5%, MF					
R...	111	57.11.3101	100 Ohm	5%, MF					
R...	112	57.11.3104	100 kOhm	5%, MF					
R...	113	57.11.3332	3.3 kOhm	5%, MF					
R...	114	57.11.3332	3.3 kOhm	5%, MF					
R...	120	57.11.3103	10 kOhm	5%, MF					
R...	121	57.11.3101	100 Ohm	5%, MF					
R...	122	57.11.3104	100 kOhm	5%, MF					
R...	123	57.11.3332	3.3 kOhm	5%, MF					
R...	124	57.11.3332	3.3 kOhm	5%, MF					
R...	130	57.11.3103	10 kOhm	5%, MF					
R...	131	57.11.3101	100 Ohm	5%, MF					
R...	132	57.11.3104	100 kOhm	5%, MF					
R...	133	57.11.3332	3.3 kOhm	5%, MF					
R...	134	57.11.3332	3.3 kOhm	5%, MF					
R...	140	57.11.3103	10 kOhm	5%, MF					
R...	141	57.11.3101	100 Ohm	5%, MF					
R...	142	57.11.3104	100 kOhm	5%, MF					
R...	143	57.11.3332	3.3 kOhm	5%, MF					
R...	144	57.11.3332	3.3 kOhm	5%, MF					
R...	150	57.11.3103	10 kOhm	5%, MF					
R...	151	57.11.3101	100 Ohm	5%, MF					
R...	152	57.11.3104	100 kOhm	5%, MF					
R...	153	57.11.3332	3.3 kOhm	5%, MF					
R...	154	57.11.3332	3.3 kOhm	5%, MF					
R...	160	57.11.3103	10 kOhm	5%, MF					
R...	161	57.11.3101	100 Ohm	5%, MF					
R...	162	57.11.3104	100 kOhm	5%, MF					
R...	163	57.11.3332	3.3 kOhm	5%, MF					
R...	164	57.11.3332	3.3 kOhm	5%, MF					
R...	170	57.11.3103	10 kOhm	5%, MF					
R...	171	57.11.3101	100 Ohm	5%, MF					
R...	172	57.11.3104	100 kOhm	5%, MF					
R...	173	57.11.3332	3.3 kOhm	5%, MF					
R...	174	57.11.3332	3.3 kOhm	5%, MF					
R...	180	57.11.3103	10 kOhm	5%, MF					
R...	181	57.11.3101	100 Ohm	5%, MF					
R...	182	57.11.3104	100 kOhm	5%, MF					
R...	183	57.11.3332	3.3 kOhm	5%, MF					
R...	184	57.11.3332	3.3 kOhm	5%, MF					
R...	201	57.11.3391	390 Ohm	5%, MF					
R...	202	57.11.3332	3.3 kOhm	5%, MF					
R...	203	57.11.3391	390 Ohm	5%, MF					
R...	204	57.11.3332	3.3 kOhm	5%, MF					
T....	1	1.022.618.00	Input Transformer	St					
T....	2	1.022.618.00	Input Transformer	St					
T....	3	1.022.618.00	Input Transformer	St					
T....	4	1.022.618.00	Input Transformer	St					
T....	5	1.022.618.00	Input Transformer	St					
T....	6	1.022.618.00	Input Transformer	St					
T....	7	1.022.618.00	Input Transformer	St					
T....	8	1.022.618.00	Input Transformer	St					

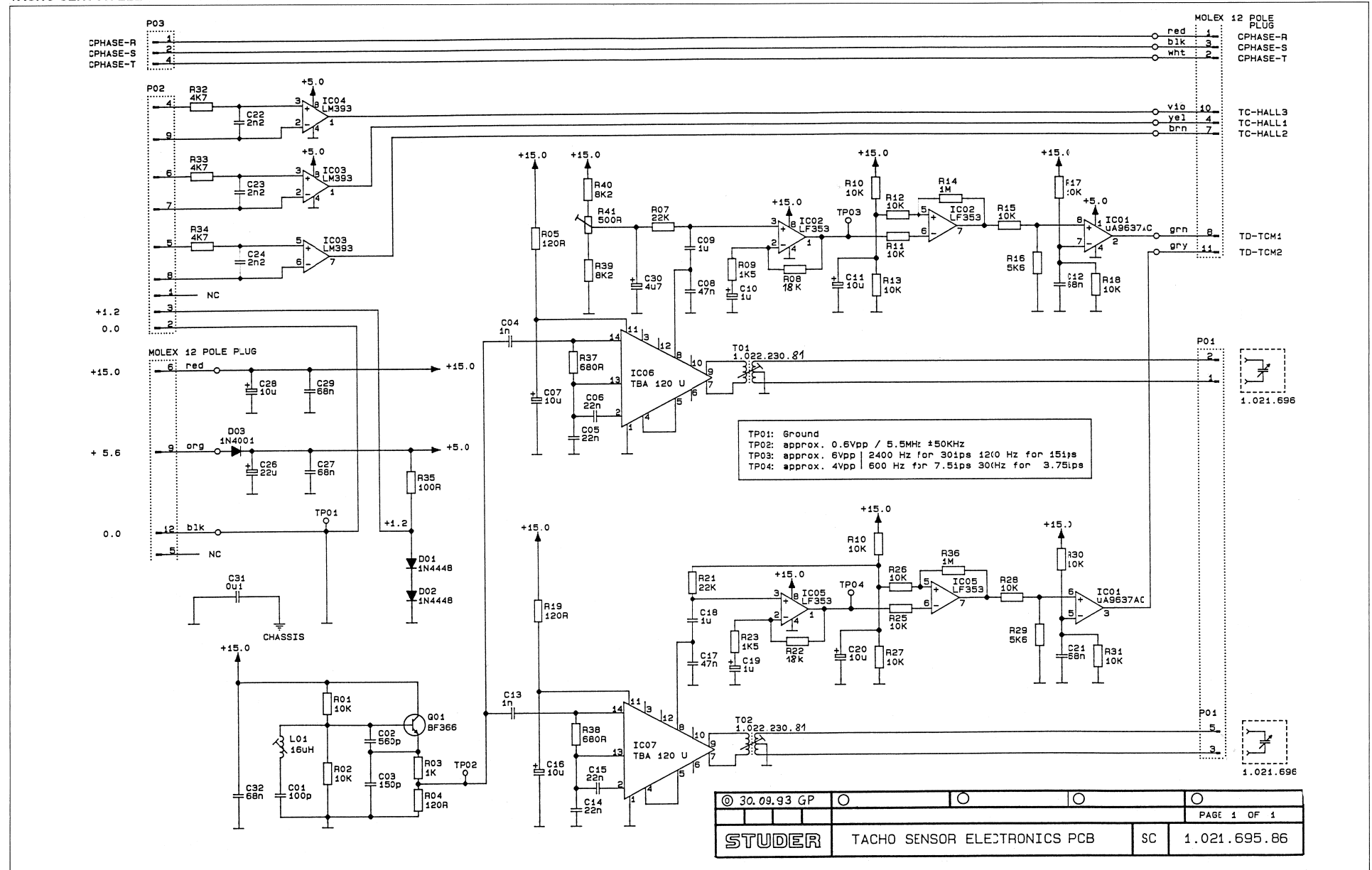
(01) Uncorrect number count fixed (1.862.721.77 to 1.862.721.00)

Note 1: TDK order number: EL 0606 SKI - 101 K





TACHO SENSOR ELECTRONICS PCB 1.021.695.86





TACHO SENSOR ELECTRONICS PCB 1.021.695.86

**Ansicht A**

Idx. Pos.	Part No.	Qty.	Type/Val.	Description
0 C 1	59.34.4101	100p	CER 63V, 1%, N750	
0 C 2	59.34.5561	560p	CER 63V, 1%, N1500	
0 C 3	59.34.4151	150p	CER 63V, 1%, N750	
0 C 4	59.06.0102	1n0	PETP, 63V 10%, RM5	
0 C 5	59.06.0223	22n	PETP, 63V 10%, RM5	
0 C 6	59.06.0223	22n	PETP, 63V 10%, RM5	
0 C 7	59.26.2100	10u	SAL, 20%, 16V	
0 C 8	59.06.0473	47n	PETP, 63V 10%, RM5	
0 C 9	59.06.0105	1u0	PETP, 50V 10%, RM5	
0 C 10	59.26.9109	1u	SAL, 20%, 10V	
0 C 11	59.26.2100	10u	SAL, 20%, 16V	
0 C 12	59.06.0683	68n	PETP, 63V 10%, RM5	
0 C 13	59.06.0102	1n0	PETP, 63V 10%, RM5	
0 C 14	59.06.0223	22n	PETP, 63V 10%, RM5	
0 C 15	59.06.0223	22n	PETP, 63V 10%, RM5	
0 C 16	59.26.2100	10u	SAL, 20%, 16V	
0 C 17	59.06.0473	47n	PETP, 63V 10%, RM5	
0 C 18	59.06.0105	1u0	PETP, 50V 10%, RM5	
0 C 19	59.26.9109	1u	SAL, 20%, 10V	
0 C 20	59.26.2100	10u	SAL, 20%, 16V	
0 C 21	59.06.0683	68n	PETP, 63V 10%, RM5	
0 C 22	59.06.0222	2n2	PETP, 63V 10%, RM5	
0 C 23	59.06.0222	2n2	PETP, 63V 10%, RM5	
0 C 24	59.06.0222	2n2	PETP, 63V 10%, RM5	
0 C 25	59.26.1220	22u	SAL, 20%, 10V	
0 C 26	59.26.1220	22u	SAL, 20%, 10V	
0 C 27	59.06.0683	68n	PETP, 63V 10%, RM5	
0 C 28	59.26.2100	10u	SAL, 20%, 16V	
0 C 29	59.06.0683	68n	PETP, 63V 10%, RM5	
0 C 30	59.26.1479	4u7	SAL, 20%, 10V	
0 C 31	59.06.0104	100n	PETP, 63V 10%, RM5	
0 C 32	59.06.0683	68n	PETP, 63V 10%, RM5	
0 D 1	50.04.0125	1N4448	75V, 150mA, 4ns, DO-35	
0 D 2	50.04.0125	1N4448	75V, 150mA, 4ns, DO-35	
0 D 3	50.04.0122	1N4001	1A, DO 41	
0 IC 1	50.15.0114	9637	Dual diff Line Receiver	
0 IC 2	50.09.0101	TL072	IC TL 072CN	A
0 IC 3	50.05.0283	LM393	Dual Comparator	
0 IC 4	50.05.0283	LM393	Dual Comparator	
0 IC 5	50.09.0101	TL072	IC TL 072CN	A
0 IC 6	50.11.0151	TBA120U	IC TBA 120 UV/5	
0 IC 7	50.11.0151	TBA120U	IC TBA 120 UV/5	
0 L 1	1.022.222.00	L16mH	HF-DROSSEL 16 MH	
0 P 1	54.01.0288	5-P	J LEISTE 5 POL.CIS AUFST.	
0 P 2	54.01.0217	9-P	J LEISTE 9 POL.CIS AUFST.	
0 P 3	54.01.0241	4-P	J LEISTE 4 POL.CIS AUFST.	
0 Q 1	50.03.0514	BF366	BF 366 NPN	
0 R 1	57.11.3103	10k	MF, 1%, Q207	
0 R 2	57.11.3103	10k	MF, 1%, Q207	
0 R 3	57.11.3102	1k	MF, 1%, Q207	
0 R 4	57.11.3121	12GR	MF, 1%, Q207	
0 R 5	57.11.3121	12GR	MF, 1%, Q207	
0 R 6		not used	not used	
0 R 7	57.11.3223	22k	MF, 1%, Q207	
0 R 8	57.11.3183	18k	MF, 1%, Q207	
0 R 9	57.11.3152	1k5	MF, 1%, Q207	
0 R 10	57.11.3103	10k	MF, 1%, Q207	
0 R 11	57.11.3103	10k	MF, 1%, Q207	
0 R 12	57.11.3103	10k	MF, 1%, Q207	
0 R 13	57.11.3103	10k	MF, 1%, Q207	
0 R 14	57.11.3105	1M0	MF, 1%, Q207	
0 R 15	57.11.3103	10k	MF, 1%, Q207	
0 R 16	57.11.3562	5k6	MF, 1%, Q207	
0 R 17	57.11.3103	10k	MF, 1%, Q207	
0 R 18	57.11.3103	10k	MF, 1%, Q207	
0 R 19	57.11.3121	120R	MF, 1%, Q207	
0 R 20		not used	not used	
0 R 21	57.11.3223	22k	MF, 1%, Q207	
0 R 22	57.11.3183	18k	MF, 1%, Q207	
0 R 23	57.11.3152	1k5	MF, 1%, Q207	
0 R 24	57.11.3103	10k	MF, 1%, Q207	
0 R 25	57.11.3103	10k	MF, 1%, Q207	
0 R 26	57.11.3103	10k	MF, 1%, Q207	
0 R 27	57.11.3103	10k	MF, 1%, Q207	
0 R 28	57.11.3103	10k	MF, 1%, Q207	
0 R 29	57.11.3562	5k6	MF, 1%, Q207	
0 R 30	57.11.3103	10k	MF, 1%, Q207	
0 R 31	57.11.3103	10k	MF, 1%, Q207	
0 R 32	57.11.3472	4k7	MF, 1%, Q207	
0 R 33	57.11.3472	4k7	MF, 1%, Q207	
0 R 34	57.11.3472	4k7	MF, 1%, Q207	
0 R 35	57.11.3101	100R	MF, 1%, Q207	
0 R 36	57.11.3105	1M0	MF, 1%, Q207	
0 R 37	57.11.3681	680R	MF, 1%, Q207	
0 R 38	57.11.3681	680R	MF, 1%, Q207	
0 R 39	57.11.3622	8k2	MF, 1%, Q207	
0 R 40	57.11.3622	8k2	MF, 1%, Q207	
0 R 41	58.05.0501	500R	0%, 0.5W, Cermet	
1 T 1	1.022.230.62	Trafo	DISKRIMINATORTRAFO	
1 T 2	1.022.230.62	Trafo	DISKRIMINATORTRAFO	
0 TP 1	29.21.6002	1-P	IOETOESE	
0 TP 2	29.21.6002	1-P	IOETOESE	
0 TP 3	29.21.6002	1-P	IOETOESE	
0 TP 4	29.21.6002	1-P	IOETOESE	

End of List

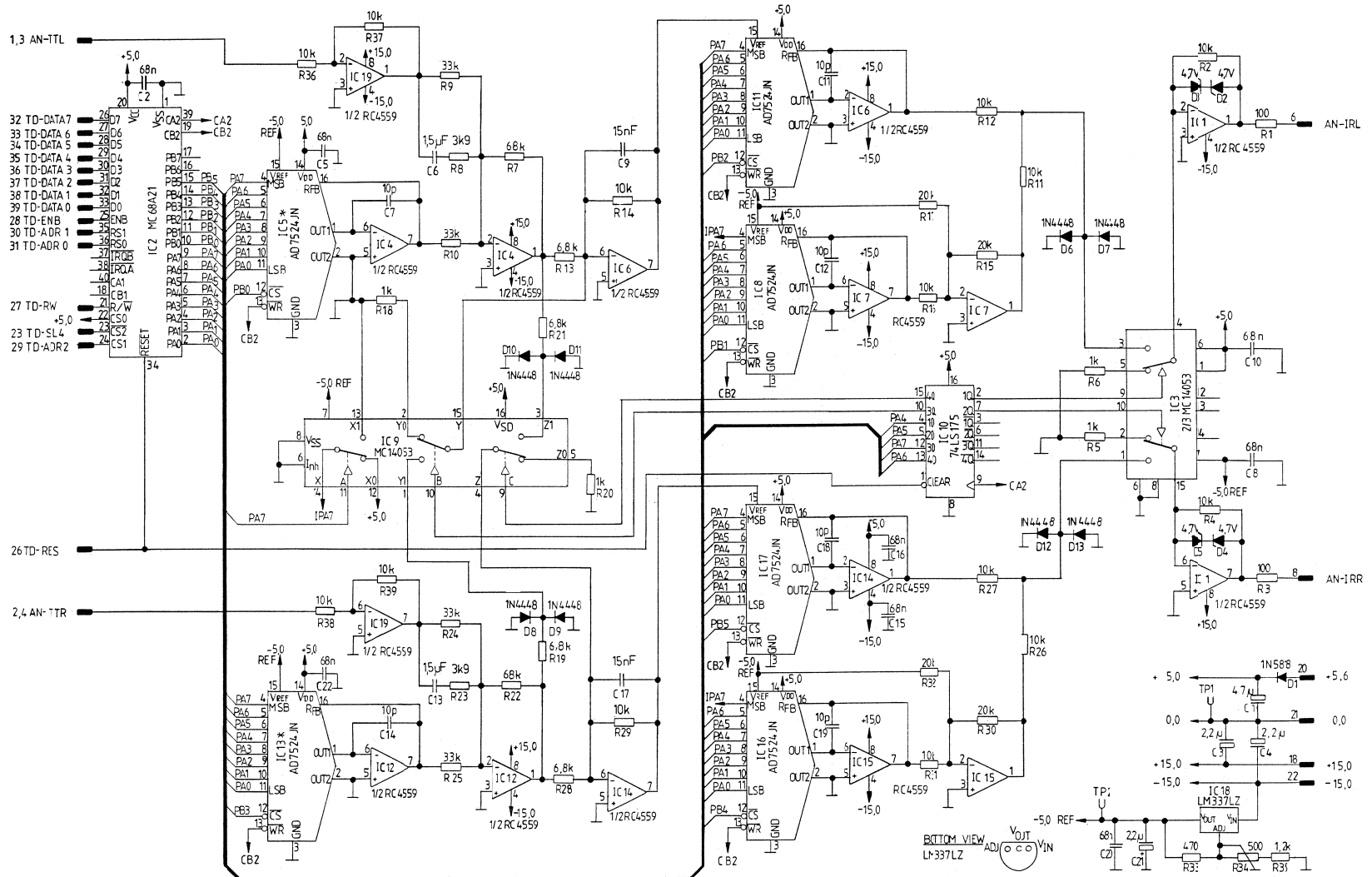
**Comments:**

- \* Note 1: Pot. Bouns. Nr.: 3296 Z-1-50
- Spectrol Nr.: 64 Z 501 T 000
- Murata. Nr.: Pot 3105 Z-1-501
- \* Note 2: Plug: 5-fin AMP. Nr.: --163.80-3
- \* Note 3: Plug: 9-fin AMP. Nr.: --163.80-7
- \* Note 4: Plug: 3-fin AMP. Nr.: --163.80-1
- \* CE=Ceramic, El=Electrolytic, PETP=Polyester Film
- \* MANUFACTURER: Fc=Fairchild, Gl=General Instruments, IT=Intermetal, Mot=Motorola, NS=National Semiconductors, Ph=Philips, Sie=Siemens, St=Studer, Tl=Texas Instruments

(o1) T1+T2 -B1 changed to -B2

STUDER REGENSDORF ZÜRICH	Bezeichnung <b>TACHO SENSOR EL. BOARD ESE</b>	Datum 30.9.93	Gez. <i>[Signature]</i>	Ges. <i>[Signature]</i>	Index
Nummer: <b>1.021.695-86</b>					

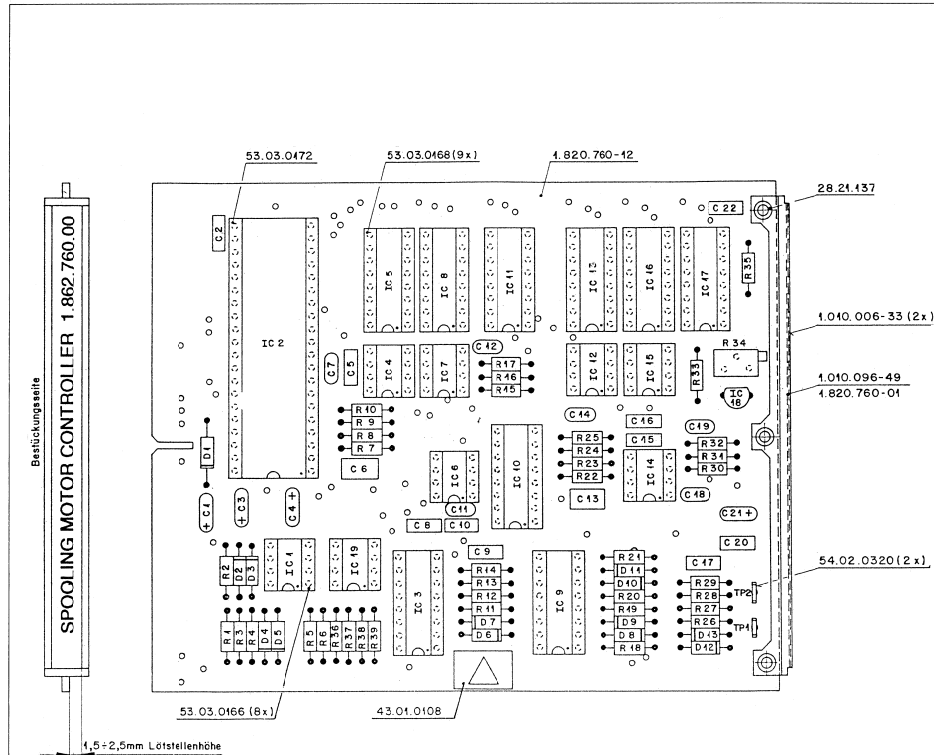
SPOOLING MOTOR CONTROL 1.862.760.00



\* HAS BEEN MODIFIED

11.03.92	HRH							
STUDER		Spooling Motor Control				PAGE 1 OF 1		
SC 1.862.760.00								

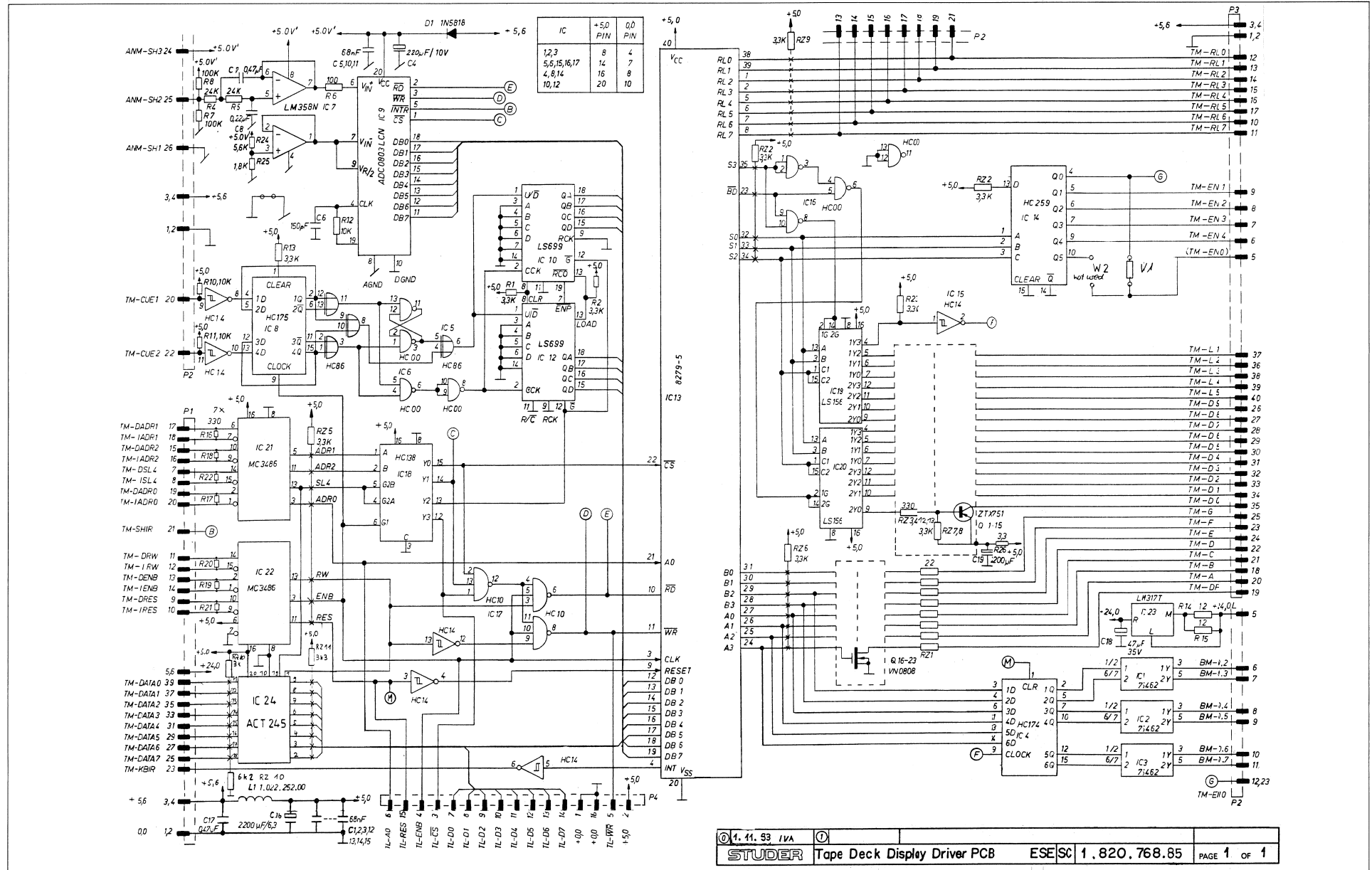
SPOOLING MOTOR CONTROL 1.862.760.00



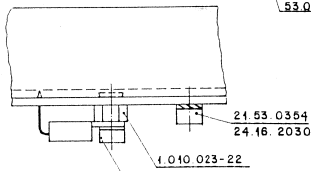
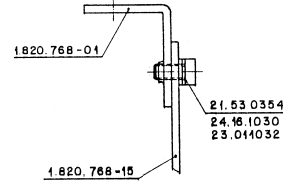
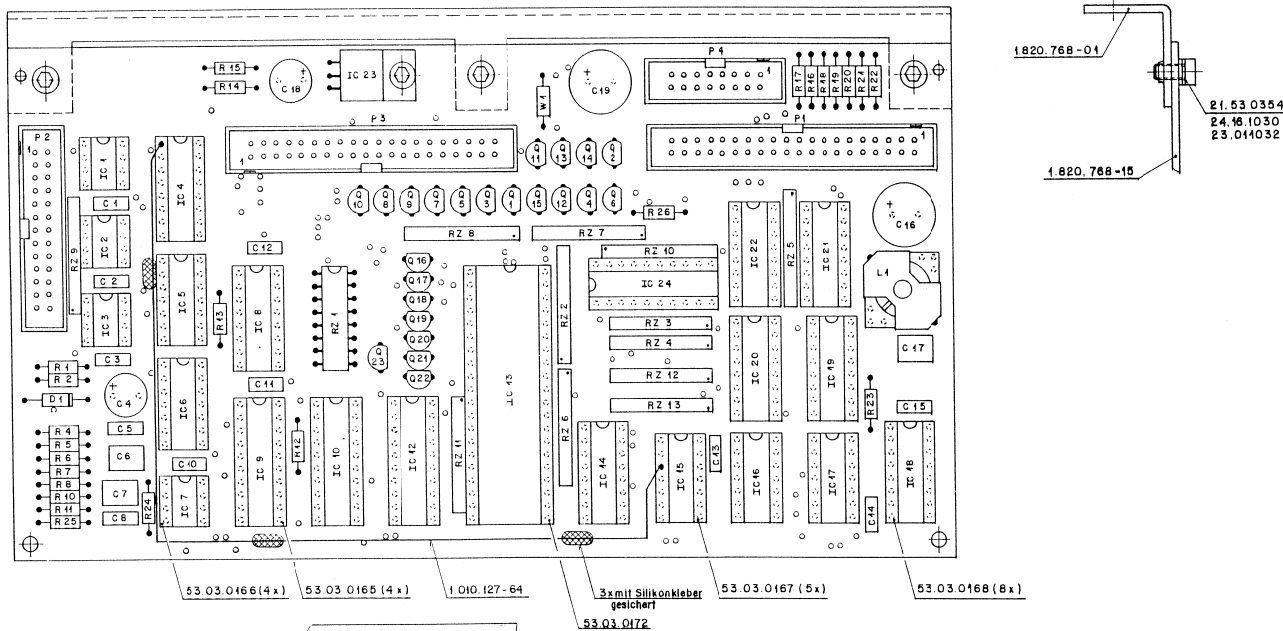
Ad	POS.	REF.No.	DESCRIPTION	MANUFACTURER	Ad	POS.	REF.No.	DESCRIPTION	MANUFACTURER
C....1	59.26.0470	47 uF	6.3V, Sal						
C....2	59.06.0683	68 nF							
C....3	59.26.5229	2.2 uF	25V, Sal						
C....4	59.26.5229	2.2 uF	25V, Sal						
C....5	59.06.0683	68 nF							
C....6	59.06.5155	1.5 uF	5%	Cer					
C....7	59.34.1100	10 pF							
C....8	59.06.0683	68 nF							
C....9	59.06.5153	15 nF	5%						
C....10	59.06.0683	68 nF							
C....11	59.34.1100	10 pF		Cer					
C....12	59.34.1100	10 pF		Cer					
C....13	59.06.5155	1.5 uF	5%						
C....14	59.34.1100	10 pF		Cer					
C....15	59.06.0683	68 nF							
C....16	59.06.0683	68 nF							
C....17	59.06.5153	15 nF	5%						
C....18	59.34.1100	10 pF		Cer					
C....19	59.34.1100	10 pF		Cer					
C....20	59.06.0683	68 nF							
C....21	59.26.5229	2.2 uF	25V, Sal						
C....22	59.06.0683	68 nF							
I....1	50.04.0512	1N 5818	1N 5819	Mot					
I....2	50.04.1123	4.7 V, Z	BZX83C 4V7, BZX55C 4V7, ZPD 4.7	ITT, Ses					
I....3	50.04.1123	4.7 V, Z	BZX83C 4V7, BZX55C 4V7, ZPD 4.7	ITT, Ses					
I....4	50.04.1123	4.7 V, Z	BZX83C 4V7, BZX55C 4V7, ZPD 4.7	ITT, Ses					
I....5	50.04.1123	4.7 V, Z	BZX83C 4V7, BZX55C 4V7, ZPD 4.7	ITT, Ses					
I....6	50.04.0125	1N 4448							
I....7	50.04.0125	1N 4448							
I....8	50.04.0125	1N 4448							
I....9	50.04.0125	1N 4448							
I....10	50.04.0125	1N 4448							
I....11	50.04.0125	1N 4448							
I....12	50.04.0125	1N 4448							
I....13	50.04.0125	1N 4448							
IC....1	50.09.0107	RC 4559 NB	uPC 4559, slew rate min. 1.5 V/us	NEC, Ra					
IC....2	50.16.0106	MC68 A 21P	S68 A 21P, F68 A 21P	AMI, Fc, Mot					
IC....3	50.07.0015	MC14053BCP	... 4053 ...	Mot, NS, Ph, RCA, To					
IC....4	50.09.0107	RC 4559 NB	uPC 4559, slew rate min. 1.5 V/us	NEC, Ra					
IC....5	50.07.0002	AD 7524 JN	MP 7524 JN	ADI, MPS					
IC....6	50.09.0107	RC 4559 NB	uPC 4559, slew rate min. 1.5 V/us	NEC, Ra					
IC....7	50.09.0107	RC 4559 NB	uPC 4559, slew rate min. 1.5 V/us	NEC, Ra					
IC....8	50.07.0002	AD 7524 JN	MP 7524 JN	ADI, MPS					
IC....9	50.07.0015	MC14053BCP	... 4053 ...	Mot, NS, Ph, RCA, To					
IC....10	50.06.0175	74 LS 175	... 74 LS 175 .	NSC, Sig, TI					
IC....11	50.07.0002	AD 7524 JN	MP 7524 JN	ADI, MPS					
IC....12	50.09.0107	RC 4559 NB	uPC 4559, slew rate min. 1.5 V/us	NEC, Ra					
IC....13	50.07.0002	AD 7524 JN	MP 7524 JN	ADI, MPS					
IC....14	50.09.0107	RC 4559 NB	uPC 4559, slew rate min. 1.5 V/us	NEC, Ra					
IC....15	50.09.0107	RC 4559 NB	uPC 4559, slew rate min. 1.5 V/us	NEC, Ra					
IC....16	50.07.0002	AD 7524 JN	MP 7524 JN	ADI, MPS					
IC....17	50.07.0002	AD 7524 JN	MP 7524 JN	ADI, MPS					
IC....18	50.10.0109	LM 337 LZ		NS					
IC....19	50.09.0107	RC 4559 NB	uPC 4559, slew rate min. 1.5 V/us	NEC, Ra					
R....1	57.11.3101	100 Ohm	5%						
R....2	57.11.3103	10 Kohm	5%						
R....3	57.11.3101	100 Ohm	5%						
R....4	57.11.3103	10 Kohm	5%						
R....5	57.11.3102	1 Kohm	5%						
R....6	57.11.3102	1 Kohm	5%						
R....7	57.11.3683	68 Kohm	5%						
R....8	57.11.3392	3.9 Kohm	5%						
R....9	57.11.3333	33 Kohm	5%						
R....10	57.11.3333	33 Kohm	5%						
R....11	57.11.3103	10 Kohm	5%						
R....12	57.11.3103	10 Kohm	5%						
R....13	57.11.3682	6.8 Kohm	5%						
R....14	57.11.3103	10 Kohm	5%						
R....15	57.11.3203	20 Kohm	5%						
R....16	57.11.3103	10 Kohm	5%						
R....17	57.11.3203	20 Kohm	5%						
R....18	57.11.3102	1 Kohm	5%						
R....19	57.11.3682	6.8 Kohm	5%						
R....20	57.11.3102	1 Kohm	5%						
R....21	57.11.3682	6.8 Kohm	5%						
R....22	57.11.3683	68 Kohm	5%						
R....23	57.11.3392	3.9 Kohm	5%						
R....24	57.11.3333	33 Kohm	5%						
R....25	57.11.3333	33 Kohm	5%						
R....26	57.11.3103	10 Kohm	5%						
R....27	57.11.3103	10 Kohm	5%						
R....28	57.11.3682	6.8 Kohm	5%						
R....29	57.11.3103	10 Kohm	5%						
R....30	57.11.3203	20 Kohm	5%						
R....31	57.11.3103	10 Kohm	5%						
R....32	57.11.3203	20 Kohm	5%						
R....33	57.11.3471	470 Ohm	5%						
R....34	58.05.0501	500 Ohm	see note 1						
R....35	57.11.3122	1.2 Kohm	5%						
R....36	57.11.3103	10 Kohm	5%						
R....37	57.11.3103	10 Kohm	5%						
R....38	57.11.3103	10 Kohm	5%						
R....39	57.11.3103	10 Kohm	5%						
TP....1	54.02.0320		Test point						
TP....2	54.02.0320		Test point						
Note 1 - Potentiometer 500 Ohm									
Sours nr. 3296 Z - 1 - 501									

STUDER REGENSDORF ZÜRICH	Bestückungsliste	SPOOLING MOTOR CONTROLLER ESE	Nummer	1.862.760-00															
<table border="1"> <tr> <td>Abbildung</td> <td>Anordnung</td> <td></td> <td></td> <td></td> </tr> <tr> <td>Datum</td> <td>11.3.92</td> <td>EH</td> <td>TP</td> <td></td> </tr> <tr> <td>Kopie für</td> <td></td> <td></td> <td></td> <td></td> </tr> </table>					Abbildung	Anordnung				Datum	11.3.92	EH	TP		Kopie für				
Abbildung	Anordnung																		
Datum	11.3.92	EH	TP																
Kopie für																			

TAPE DECK DISPLAY DRIVER PCB 1.820.768.85



TAPE DECK DISPLAY DRIVER PCB 1.820.768.85



Ad .POS. . . . REF.No. . . . DESCRIPTION . . . . . MANUFACTURER

Ad .POS.	REF.No.	DESCRIPTION	MANUFACTURER
IC...11	00.00.0000	not used	
IC...12	54.06.0099	74 LS 695	Mot,NS, TI
IC...13	54.16.0111	IP 8279-F	M 5 L 8279 P-5
IC...14	54.17.1259	74 MC 255	Mot, NS, Ph, RCA, SGS, TI, To
IC...15	54.17.1014	74 MC 14	Mot, NS, Ph, RCA, TI, To
IC...16	54.17.1000	74 MC 00	Mot, NS, Ph, RCA, SGS, TI, To
IC...17	54.17.1010	74 MC IC	Mot, NS, Ph, RCA, TI, To
IC...18	54.17.1158	74 MC 156	Mot, NS, Ph, RCA, SGS, TI, To
IC...19	54.06.0156	74 LS 156	Fc, NS, TI
IC...20	54.06.0156	74 LS 156	Fc, NS, TI
IC...21	54.15.0104	MC 3486 F	DS 3486 N
IC...22	54.15.0104	MC 3486 F	DS 3486 N
IC...23	54.10.0104	LM 317 T	...KC, ...SP
IC...24	54.17.7245	...	74 ACT 245
L...1	1.02.252.00	0.32 mH	Filter Coil
P...1	54.14.2004	Connector	40 contacts, flat cable
P...2	54.14.2003	Connector	26 contacts, flat cable
P...3	54.14.2004	Connector	40 contacts, flat cable
P...4	54.14.2002	Connector	16 contacts, flat cable
Q...1	53.03.0352	ZTX 751	Fe
Q...2	53.03.0352	ZTX 751	Fe
Q...3	53.03.0352	ZTX 751	Fe
Q...4	53.03.0352	ZTX 751	Fe
Q...5	53.03.0352	ZTX 751	Fe
Q...6	53.03.0352	ZTX 751	Fe
Q...7	53.03.0352	ZTX 751	Fe
Q...8	53.03.0352	ZTX 751	Fe
Q...9	53.03.0352	ZTX 751	Fe
Q...10	53.03.0352	ZTX 751	Fe
Q...11	53.03.0352	ZTX 751	Fe
Q...12	53.03.0352	ZTX 751	Fe
Q...13	53.03.0352	ZTX 751	Fe
Q...14	53.03.0352	ZTX 751	Fe
Q...15	53.03.0352	ZTX 751	Fe
Q...16	53.03.1505	VN 0808M	Fe, Six
Q...17	53.03.1505	VN 0808M	Fe, Six
Q...18	53.03.1505	VN 0808M	Fe, Six
Q...19	53.03.1505	VN 0808M	Fe, Six
Q...20	53.03.1505	VN 0808M	Fe, Six
Q...21	53.03.1505	VN 0808M	Fe, Six
Q...22	53.03.1505	VN 0808M	Fe, Six
Q...23	53.03.1505	VN 0808M	Fe, Six
R...1	57.11.3332	3.3 kOhm	2%
R...2	57.11.3332	3.3 kOhm	2%
R...3	00.00.0000	not used	
R...4	57.11.3243	24 kOhm	1%
R...5	57.11.3243	24 kOhm	1%
R...6	57.11.3101	100 Ohm	2%
R...7	57.11.3104	100 Ohm	2%
R...8	57.11.3104	100 Ohm	2%
R...10	57.11.3103	10 kOhm	2%
R...11	57.11.3103	10 kOhm	2%
R...12	57.11.3103	10 kOhm	2%
R...13	57.11.3332	3.3 kOhm	2%
R...14	57.11.3120	12 Ohm	2%
R...15	57.11.3120	12 Ohm	2%
R...16	57.11.3331	330 Ohm	2%
R...17	57.11.3331	330 Ohm	2%
R...18	57.11.3331	330 Ohm	2%
R...19	57.11.3331	330 Ohm	2%
R...20	57.11.3331	330 Ohm	2%
R...21	57.11.3331	330 Ohm	2%
R...22	57.11.3331	330 Ohm	2%
R...23	57.11.3332	3.3 kOhm	2%
R...24	57.11.3362	5.6 kOhm	1%
R...25	57.11.3182	1.8 kOhm	1%
R...26	57.11.3339	3.3 kOhm	2%
RZ...1	57.88.3220	Network	8 * 22 Ohm, 2%, DIL 16
RZ...2	57.88.4332	Network	8 * 3.3 kOhm, 5%, SIP 9
RZ...3	57.88.2331	Network	4 * 330 Ohm, 5%, SIP 8
RZ...4	57.88.2331	Network	4 * 330 Ohm, 5%, SIP 8
RZ...5	57.88.4332	Network	8 * 3.3 kOhm, 5%, SIP 9
RZ...6	57.88.4332	Network	8 * 3.3 kOhm, 5%, SIP 9
RZ...7	57.88.4332	Network	8 * 3.3 kOhm, 5%, SIP 9
RZ...8	57.88.4332	Network	8 * 3.3 kOhm, 5%, SIP 9
RZ...9	57.88.4332	Network	8 * 3.3 kOhm, 5%, SIP 9
RZ...10	57.88.4007	Network	8 * 3.0/6.2 kOhm 2%, SIP10
RZ...11	57.88.4332	Network	8 * 3.3 kOhm, 5%, SIP 9
RZ...12	57.88.2331	Network	4 * 330 Ohm, 5%, SIP 8
RZ...13	57.88.2331	Network	4 * 330 Ohm, 5%, SIP 8
W...1	57.11.3000	0 Ohm Resistor or insulated wire bridge	
W...2	00.00.0000	not used	

Ad .POS. . . . REF.No. . . . DESCRIPTION . . . . . MANUFACTURER

C...1	59.06.0683	68 nF	-10%, 63V, PETP
C...2	59.06.0683	68 nF	-10%, 63V, PETP
C...3	59.06.0683	68 nF	-10%, 63V, PETP
C...4	59.22.3221	220 uF	-20%, 10V, EI
C...5	59.06.0683	68 nF	-10%, 63V, PETP
C...6	59.05.2151	150 pF	2.5%
C...7	59.06.0474	470 nF	-20%, 63V, PETP
C...8	59.06.0224	220 nF	-20%, 63V, PETP
C...9	59.06.0683	68 nF	-10%, 63V, PETP
C...11	59.06.0683	68 nF	-10%, 63V, PETP
C...12	59.06.0683	68 nF	-10%, 63V, PETP
C...13	59.06.0683	68 nF	-10%, 63V, PETP
C...14	59.06.0683	68 nF	-10%, 63V, PETP
C...15	59.06.0683	68 nF	-10%, 63V, PETP
C...16	59.22.2222	2200 uF	-20%, 6.3V, EI
C...17	59.06.0474	470 nF	-10%, 63V, PETP
C...18	59.22.6478	47 uF	-10%, 40V, EI
C...19	59.22.2222	2200 uF	-20%, 6.3V, EI
D...1	50.04.0512	1N 5818	1N 5819
IC...1	50.05.0227	SN 75462P	SN 75462 JG, SN 75472P
IC...2	50.05.0227	SN 75462P	SN 75462 JG, SN 75472P
IC...3	50.05.0227	SN 75462P	SN 75462 JG, SN 75472P
IC...4	50.17.1174	74 HC 174	Mot, NS, Ph, RCA, SGS, TI, To
IC...5	50.17.1076	74 HC 86	Mot, NS, Ph, RCA, TI, To
IC...6	50.17.1000	74 HC 00	Mot, NS, Ph, RCA, TI, To
IC...7	50.05.0286	LM 358 N	LM 358 P
IC...8	50.17.1175	74 MC 175	Mot, NS, Ph, SGS, TI, To
IC...9	50.07.0299	KRC08031CN	I, NS
IC...10	50.06.0099	74 LS 699	Mot, NS, TI

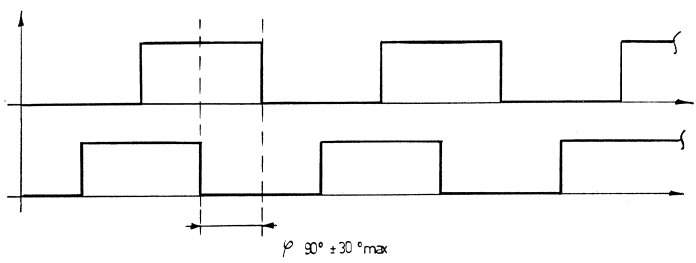
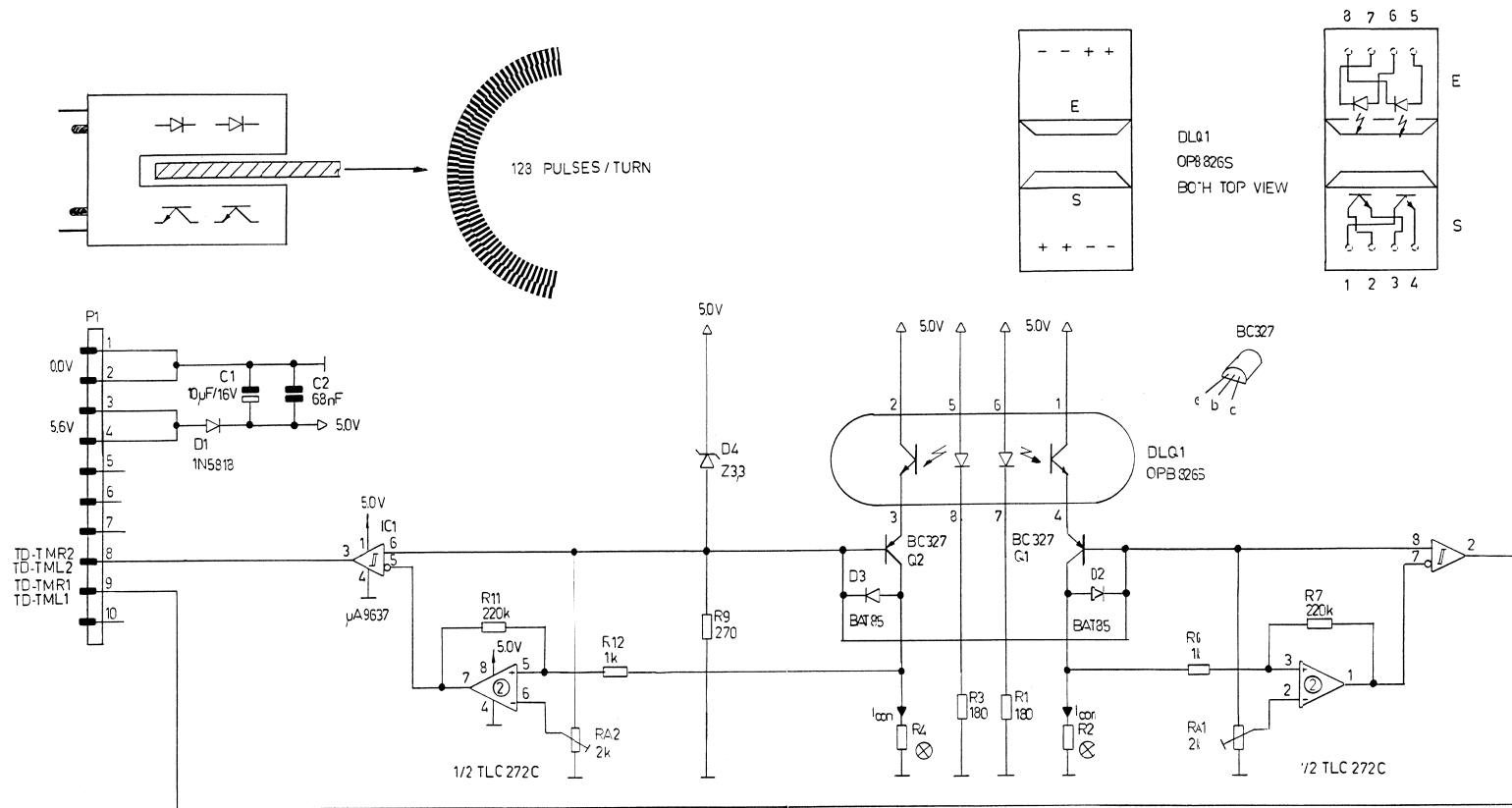
Material	Q	U	W	Y	Z
11193	OK	OK	OK	OK	OK
Material	Gas	Glue	Case	Index	
Scope No.					

STUDER  
RECHENWERK  
ZÜRICH

TAPE DECK  
DISPLAY DRIVER ESE

1.820.768-85

MOTOR TACHO 1.820.771.84



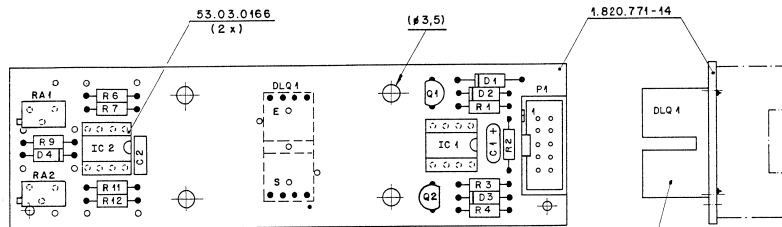
⊗ R2 / R4 factory adjusted according to following table  
 coupling measured without tacho disk  
 I<sub>con</sub> measurement R2/R4 replaced by digital milliampere meter

I <sub>con</sub>	250 µA	360 µA	520 µA	720 µA	1,07 mA	1,55 mA	2,2 mA	3,1 mA	4,6 mA	6,5 mA	10 mA
R2/R4	7k5	5k1	3k6	2k4	1k6	1k2	820	560	390	270	

① 15,11,89 ZOLLER	○ . . . ○ . . . ○ . . .	○ . . . ○ . . . ○ . . .	○ . . . ○ . . . ○ . . .	○ . . . ○ . . . ○ . . .
STUDER		MOTOR TACHO		SC 1.820.771.84
				PAGE 1 OF 1



MOTOR TACHO 1.820.771.84



DLQ4 satt aufliegend auf LÖtlöte montiert. Nach der Montage, beschichtet mit Epoxid - Lack nach BV 682. Hierbei 4 Bohrungen  $\phi$  3,5 abgedeckt mit Kleband (müssen frei bleiben von Lack).

43.01.0108 und Schild 1.820.771-04 aufgeklebt nach Fabrikationsmuster.

Gezeichnet					
Geprüft					
Datum	10.3.92	Gez.	Gepr.	Gez.	Inox

STUDER REGENSDORF ZÜRICH	Bezeichnung: <b>MOTOR TACHO BOARD ESE</b>	Nummer: <b>1.820.771-84</b>
--------------------------------	--	--------------------------------

Ad.	POS.	REF.No.	DESCRIPTION	MANUFACTURER
C....1	59.26.2100	10	10 fF 20%, 16V, Sal	
C....2	59.06.0683	68	68 fF 10%, 63V, PET	
C....3	00.00.0000		not used	
C....4	00.00.0000		not used	
D....1	50.04.0512	1N 5838	1N 5918	Not
D....2	50.04.0127	BAT 42	BAT 85, BAS 40-02,	PI,Sie,Tho
D....3	50.04.0127	BAT 42	BAT 85, BAS 40-02,	PI,Sie,Tho
D....4	50.04.1107	3,3V Z	BZX 55-C3V3	ITT,Mot,In,Tf,Tho
DLQ...1	50.99.0166	OPB 826		Op
IC...1	50.15.0114	uA9637/KCP	9637 ATC	Fc,TI
IC...2	50.05.0286	LM 354 N	LM 358 P	NS,Mt,S6S,TI
IC...2	50.09.0122	TLC 22 C	TS 272 CW	S6S,TI
P....1	54.14.2001	10	cont. see note 1	
Q....1	50.03.0351	BC 32-25		IT,Ph,Sie
Q....2	50.03.0351	BC 32-25		IT,Ph,Sie
R....1	57.11.3181	180 Ohm	1%	
R....2	00.00.0000	factory	adjusted	
R....3	57.11.3181	180 Ohm	1%	
R....4	00.00.0000	factory	adjusted	
R....5	00.00.0000	not used	1%	
R....6	57.11.3102	1 Ohm	1%	
R....7	57.11.3224	220 Ohm	1%	
R....8	00.00.0000	not used		
R....9	57.11.3271	270 Ohm	1%	
R....10	00.00.0000	not used		
R....11	57.11.3224	220 Ohm	1%	
R....12	57.11.3102	1 Ohm	1%	
R....13	00.00.0000	not used		
RA....1	58.05.0202	2 Ohm	10%, multi turn	
RA....2	58.05.0202	2 Ohm	10%, multi turn	

(01) 11.01.90 Printout error

Note 1 - Connector 10 contacts:  
Yamachi nr. FAP-10-06-40SS  
Burrndy nr. BPH 9 B10 B00 G  
3M nr. 7610-6002 VZ

El=Electrolytic, Sal=Solid aluminium

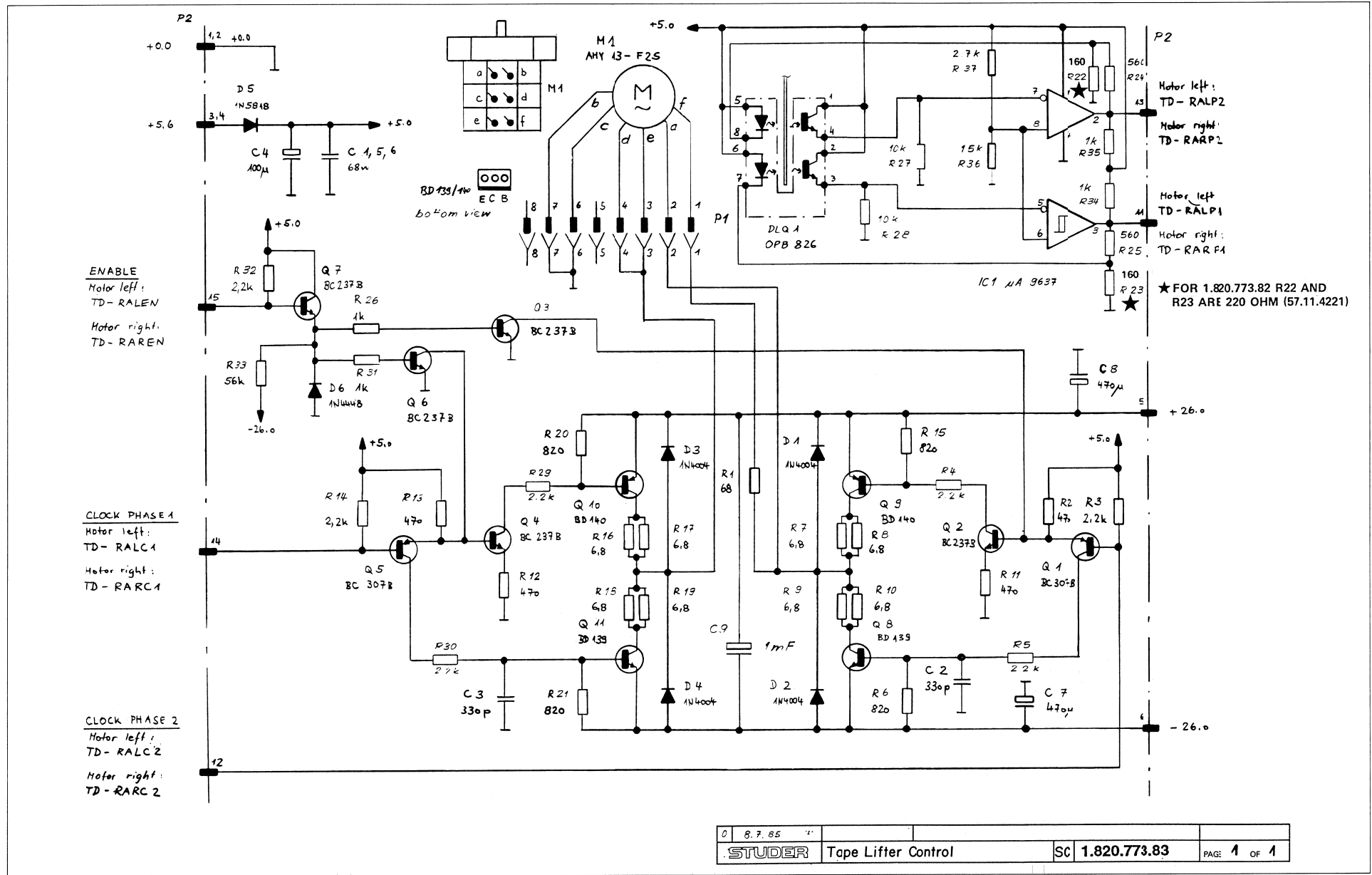
MANUFACTURER: Fc=Fairchild, IT=Intermetall, Mot=Motorla, NS=National  
Semiconductor, Op=Ogicon, Ph=Phillips, SG=SGS/Ates,  
Sie=Siemens, Tf=Telefunken, Tho=Thomson, TI=Texas Instrument

1.820.771.83 MOTOR TACHO PZ 89/11/1500

1.820.771.83 MOTOR TACHO PZ 90/01/1101

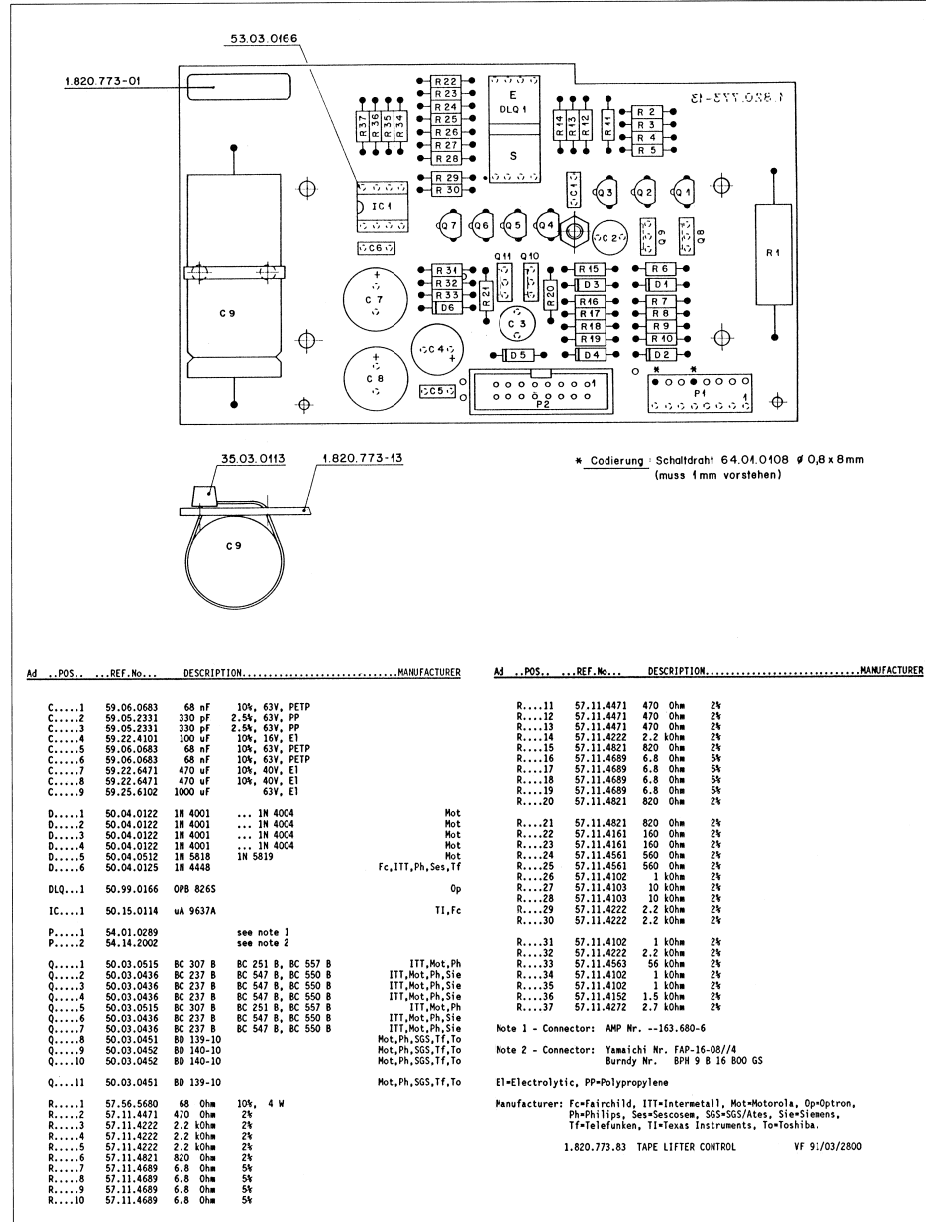


TAPE LIFTER CONTROL 1.820.773.83

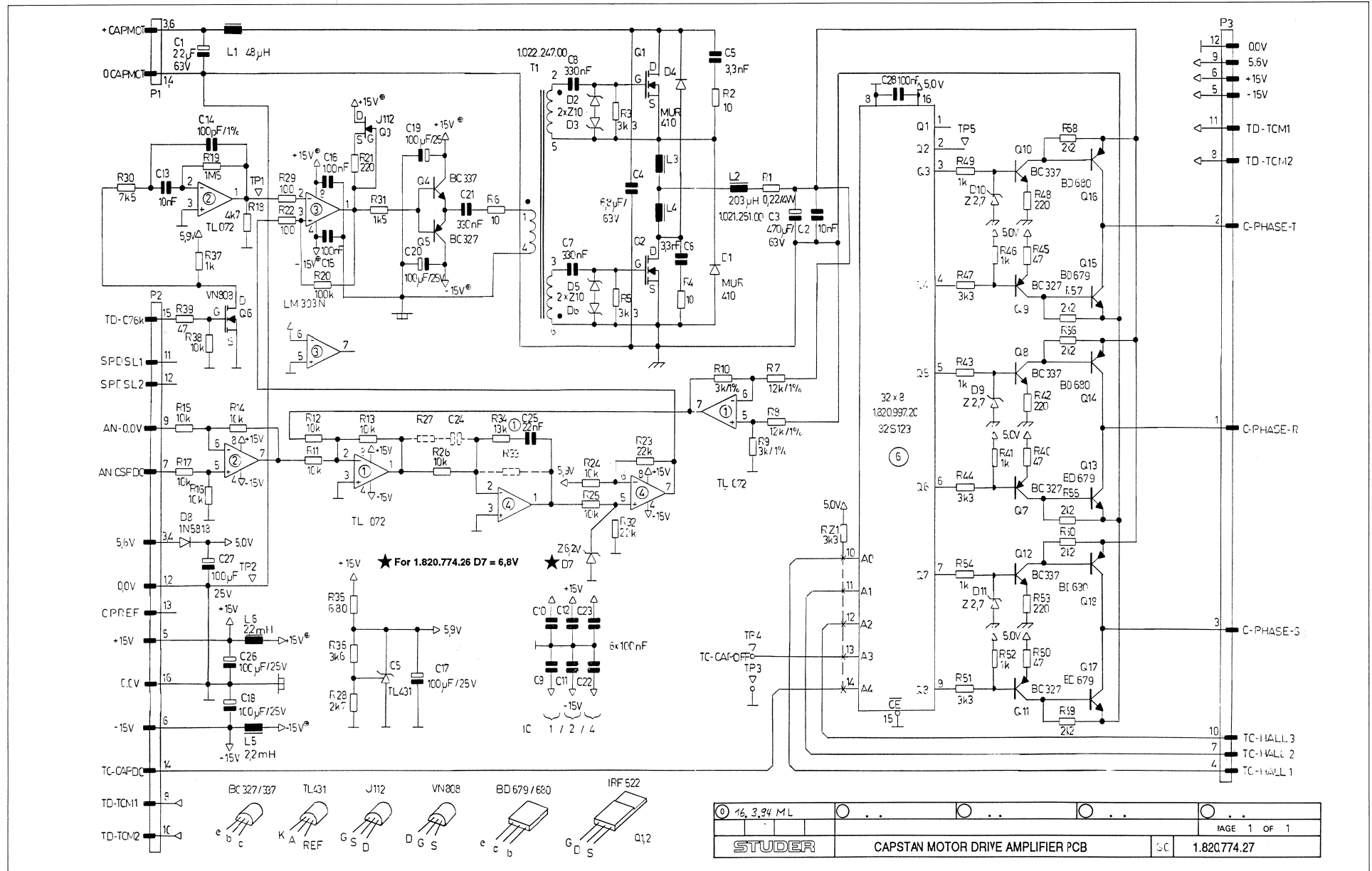


0	B.7.65	1		
STUDER		Tape Lifter Control		SC 1.820.773.83
				PAGE 1 OF 1

TAPE LIFTER CONTROL 1.820.773.83

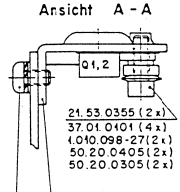
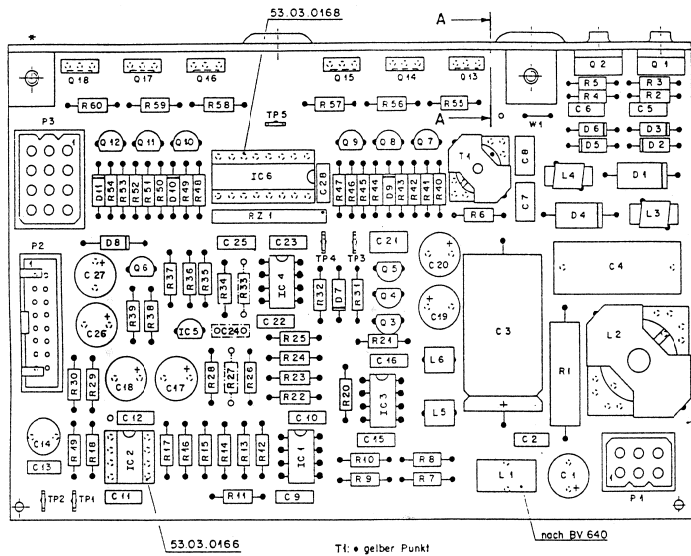


CAPSTAN MOTOR DRIVE AMPLIFIER PCB 1.820.774.26 / 1.820.774.27





CAPSTAN MOTOR DRIVE AMPLIFIER PCB 1.820.774.26 / 1.820.774.27



1.820.774-14

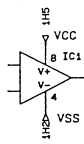
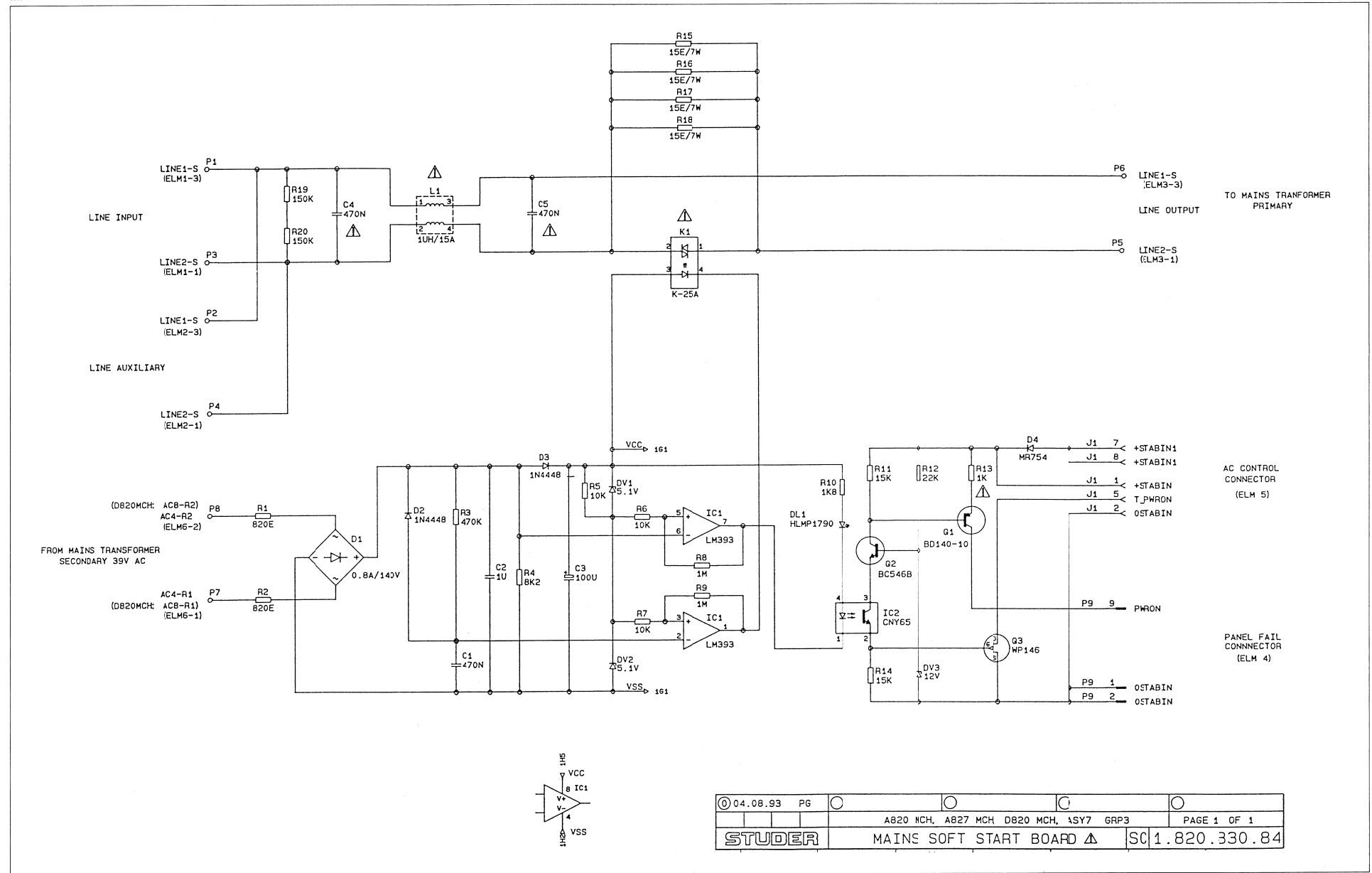
REF. No.	DESCRIPTION	MANUFACTURER
4.3.94	DR	Ph
5		Ph
6		Ph
7		Ph
8		Ph
9		Ph
10		Ph

STUDER IDENTIFIKATION	CAPSTAN MOTOR DRIVE AMPL. ESE	1.820.774-27
--------------------------	----------------------------------	--------------

Ad	POS.	REF. No.	DESCRIPTION	MANUFACTURER
C...	1	59.22.8220	22 uF	-20%, 53V, EL
C...	2	59.06.0103	10 nF	10%, 53V, PETF
C...	3	59.25.4471	470 uF	-20%, 53V, EL
C...	4	59.02.0685	6.8 uF	5%, 53V, MPC
C...	5	59.06.0332	3.3 nF	10%, 53V, PETF
C...	6	59.06.0332	3.3 nF	10%, 53V, PETF
C...	7	59.06.0334	330 nF	10%, 53V, PETF
C...	8	59.06.0334	330 nF	10%, 53V, PETF
C...	9	59.06.0104	100 nF	10%, 53V, PETF
C...	10	59.06.0104	100 nF	10%, 53V, PETF
C...	11	59.06.0104	100 nF	10%, 53V, PETF
C...	12	59.06.0104	100 nF	10%, 53V, PETF
C...	13	59.06.0103	10 nF	10%, 53V, PETF
C...	14	59.06.1101	100 uF	1%, 53V, PP
C...	15	59.06.0104	100 nF	10%, 53V, PETF
C...	16	59.06.0104	100 nF	10%, 53V, PETF
C...	17	59.22.5101	100 uF	-20%, 25V, EL
C...	18	59.22.5101	100 uF	-20%, 25V, EL
C...	19	59.22.5101	100 uF	-20%, 25V, EL
C...	20	59.22.5101	100 uF	-20%, 25V, EL
C...	21	59.06.0334	330 nF	10%, 53V, PETF
C...	22	59.06.0104	100 nF	10%, 53V, PETF
C...	23	59.06.0104	100 nF	10%, 53V, PETF
C...	24	00.00.0000	not used	
C...	25	59.06.0223	22 nF	10%, 53V, PETF
C...	26	59.22.5101	100 uF	-20%, 25V, EL
C...	27	59.22.5101	100 uF	-20%, 25V, EL
C...	28	59.06.0104	100 nF	10%, 53V, PETF
D...	1	50.04.0521	MUR 410	
D...	2	50.04.1216	Z 10 V	5%, 1.3W
D...	3	50.04.1216	Z 10 V	5%, 1.3W
D...	4	50.04.0521	MUR 410	
D...	5	50.04.1216	Z 10 V	5%, 1.3W
D...	6	50.04.1216	Z 10 V	5%, 1.3W
D...	7	50.04.1118	Z 6.2 V	5%, 40W
D...	8	50.04.0512	1M 5818	1M 5819
D...	9	50.04.1106	Z 2.7 V	5%, 40W
D...	10	50.04.1106	Z 2.7 V	5%, 40W
D...	11	50.04.1106	Z 2.7 V	5%, 40W
I...	1	50.09.0101	TL 072 CP	NS, Sig, TI, Th
I...	2	50.09.0101	TL 072 CP	NS, Sig, TI, Th
I...	3	50.09.0293	LM 393	NS, Sig, TI, Th
I...	4	50.09.0101	TL 072 CP	NS, Sig, TI, Th
I...	5	50.10.0106	TL 431CLP	NS, Sig, TI, Th
I...	6	1.820.997.20	Commutation logic device	St
L...	1	62.03.0010	48 uH	2 A, filter
L...	2	1.022.251.02	203 uH	Filtercoil
L...	3	62.99.0113	1.0 uH	
L...	4	62.99.0113	1.0 uH	
L...	5	62.02.3222	2.2 nH	10%, Rad, RM 5
L...	6	62.02.3222	2.2 nH	10%, Rad, RM 5
P...	1	54.02.0418	Connector	6 contacts, MOLEX, see noe 2
P...	2	54.14.2102	Connector	16 contacts, latch, flat cable
P...	3	54.02.0408	Connector	2 contacts, MOLEX, see noe 1
Q...	1	50.03.1502	IRF 522	MTP 8M10
Q...	2	50.03.1502	IRF 522	MTP 8M10
Q...	3	50.03.0350	J-112	ITT, Ph, Sie
Q...	4	50.03.0340	BC 327-25	ITT, Ph, Sie
Q...	5	50.03.0351	BC 327-25	ITT, Ph, Sie
Q...	6	50.03.1505	VN 0808 M	ZVN 0138 A
Q...	7	50.03.0351	BC 327-25	ITT, Ph, Sie
Q...	8	50.03.0340	BC 327-25	ITT, Ph, Sie
Q...	9	50.03.0351	BC 327-25	ITT, Ph, Sie
Q...	10	50.03.0340	BC 327-25	ITT, Ph, Sie
Q...	11	50.03.0351	BC 327-25	ITT, Ph, Sie
Q...	12	50.03.0340	BC 327-25	ITT, Ph, Sie
Q...	13	50.03.0749	BD 679	see note 3
Q...	14	50.03.0799	BD 680	see note 3
Q...	15	50.03.0749	BD 679	see note 3
Q...	16	50.03.0799	BD 680	see note 3
Q...	17	50.03.0749	BD 679	see note 3
Q...	18	50.03.0799	BD 680	see note 3
R...	1	57.56.5228	0.22 Ohm	10%, 4 W, WW
R...	2	57.11.3100	10 Ohm	10%
R...	3	57.11.3332	3.3 Kohm	10%
R...	4	57.11.3100	10 Ohm	10%
R...	5	57.11.3332	3.3 Kohm	10%
R...	6	57.11.3100	10 Ohm	10%
R...	7	57.11.3123	12 Kohm	1%
R...	8	57.11.3123	12 Kohm	1%
R...	9	57.11.3302	3 Kohm	1%
R...	10	57.11.3302	3 Kohm	1%
R...	11	57.11.3103	10 Kohm	10%
R...	12	57.11.3103	10 Kohm	10%
R...	13	57.11.3103	10 Kohm	10%
R...	14	57.11.3103	10 Kohm	10%
R...	15	57.11.3103	10 Kohm	10%
R...	16	57.11.3103	10 Kohm	10%
R...	17	57.11.3103	10 Kohm	10%
R...	18	57.11.3472	4.7 Kohm	10%
R...	19	57.11.5155	1.5 Mohm	10%
R...	20	57.11.3104	100 Kohm	10%
R...	21	57.11.3221	220 Ohm	10%
R...	22	57.11.3101	100 Ohm	10%

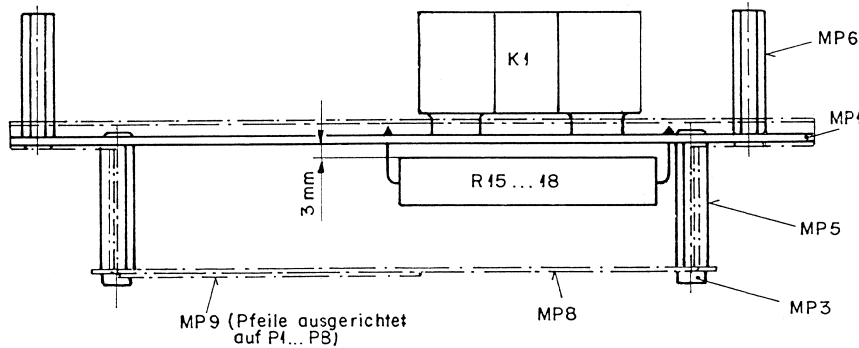
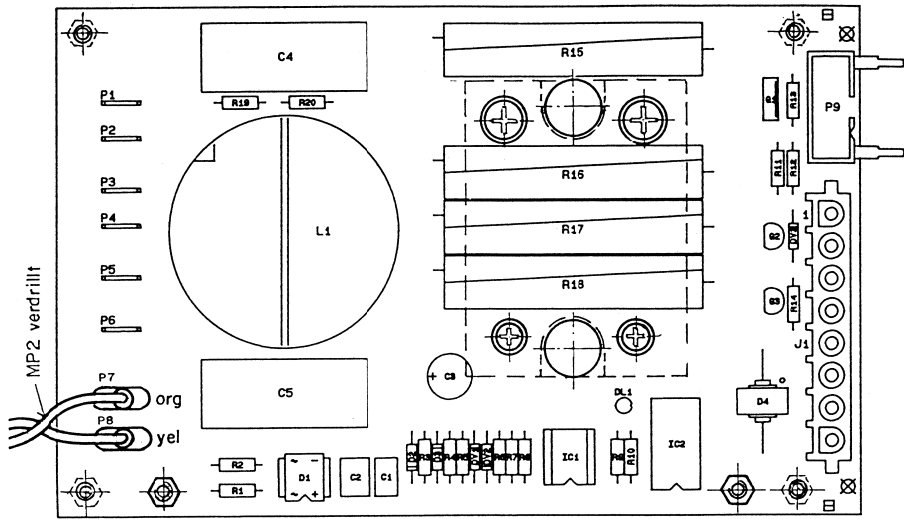
Ad	POS.	REF. No.	DESCRIPTION	MANUFACTURER
R...	23	57.11.3223	22 Kohm	10%
R...	24	57.11.3103	10 Kohm	10%
R...	25	57.11.3103	10 Kohm	10%
R...	26	57.11.3103	10 Kohm	10%
R...	27	00.00.0000	not used	
R...	28	57.11.3272	2.7 Kohm	1%
R...	29	57.11.3101	100 Ohm	10%
R...	30	57.11.3752	7.5 Kohm	1%
R...	31	57.11.3152	1.5 Kohm	10%
R...	32	57.11.3223	22 Kohm	10%
R...	33	00.00.0000	not used	
R...	34	57.11.3133	13 Kohm	1%
R...	35	57.11.3681	680 Ohm	10%
R...	36	57.11.3262	3.6 Kohm	1%
R...	37	57.11.3102	1 Kohm	10%
R...	38	57.11.3103	10 Kohm	10%
R...	39	57.11.3470	47 Ohm	10%
R...	40	57.11.3470	47 Ohm	10%
R...	41	57.11.3102	1 Kohm	10%
R...	42	57.11.3221	220 Ohm	10%
R...	43	57.11.3102	1 Kohm	10%
R...	44	57.11.3332	3.3 Kohm	10%
R...	45	57.11.3470	47 Ohm	10%
R...	46	57.11.3102	1 Kohm	10%
R...	47	57.11.3332	3.3 Kohm	10%
R...	48	57.11.3221	220 Ohm	10%
R...	49	57.11.3102	1 Kohm	10%
R...	50	57.11.3470	47 Ohm	10%
R...	51	57.11.3332	3.3 Kohm	10%
R...	52	57.11.3102	1 Kohm	10%
R...	53	57.11.3221	220 Ohm	10%
R...	54	57.11.3102	1 Kohm	10%
R...	55	57.11.3222	2.2 Kohm	10%
R...	56	57.11.3222	2.2 Kohm	10%
R...	57	57.11.3222	2.2 Kohm	10%
R...	58	57.11.3222	2.2 Kohm	10%
R...	59	57.11.3222	2.2 Kohm	10%
R...	60	57.11.3222	2.2 Kohm	10%
RZ...	1	57.88.4332	Network	8 * 3.3 Kohm, &, SIP 9
T...	1	1.022.247.00	Drive Transformer	St
TP...	1	54.02.0320	Connector	1 contact, 2.8*0.8, flat
TP...	2	54.02.0320	Connector	1 contact, 2.8*0.8, flat
TP...	3	54.02.0320	Connector	1 contact, 2.8*0.8, flat
TP...	4	54.02.0320	Connector	1 contact, 2.8*0.8, flat
TP...	5	54.02.0320	Connector	1 contact, 2.8*0.8, flat
W...	1	1.110.321.64	Wire bridge	
Note 1	- Connector: Case: Studer Nr. 54.02.0408 Contact pin: Molex In. 03-06-2121 Molex In. 02-06-8103			
Note 2	- Connector: Case: Studer Nr. 54.02.0418 Contact pin: Molex In. 03-06-2061 Studer Nr. 54.02.0406 Molex In. 02-06-8103			
Note 3	- For excellent wow and flutter values at 3.75 ips the NPM - respective the PMP - Transistors should be from the same type and manufacturer.			
Ce=Ceramic, El=electrolytic, PETF=Polyester Film, PP=Polypropylen				
MANUFACTURER: E=Exar, Fe=Ferranti, GI=General Instruments, IT=Intermetallic, IPS=Integrated Power Semiconductors Ltd., MI=Monolithic Memorys Inc., Mot=Motorola, N=National Semiconductors, Ph=Philips, Ray=Raytheon, RA=Radio Corporation of America, Sie=Siemens, Sig=Signetics, Ses=Secossem, Six=Siliconix, SGS=SGS-Ates, St=Studer, T=Telefunken, TI=Texas Instruments, To= Toshiba.				
1.820.774.27 CAP. MOT. DRIVE AMP. BOARD ML 94/02/2400				
END				

MAINS SOFT START BOARD 1.820.830.84



04.08.93	PG				
A820 MCH, A827 MCH, DB20 MCH, 1SY7 GRP3			PAGE 1 OF 1		
STUDER		MAINS SOFT START BOARD		SC 1.820.330.84	

MAINS SOFT START BOARD 1.820.830.84



UL approved material only

Abbildung									
Datum	6.9.93	DL							
Gez.									
Gepr.									
Gez.									
Gepr.									

STUDER REGENSDORF ZÜRICH	Bemerkung	Mains Soft Start Board ESE	1.820.830-84
--------------------------------	-----------	-------------------------------	--------------

Ad	..POS.	..REF.No.	DESCRIPTION	MANUFACTURER
C....1	59.06.5474	470n	5 %, 50V, PETP	
C....2	59.06.5105	1u	5 %, 50V, PETP	
C....3	59.22.5101	100u	-20 %, 25V, E1	
C....4	59.14.3474	470n	20 %, 300VAC, X2, A\	
C....5	59.14.3474	470n	20 %, 300VAC, X2, A\	
D....1	70.01.0216	DF 02 M	0.8 A, 200V, BRIDGE RECTIFIER	i1
D....2	50.04.0125	1M4448	0.15A, 75W, RECTIFIER	ITT, NS, Ph, R-0, f
D....3	50.04.0125	1M4448	0.15A, 75W, RECTIFIER	ITT, NS, Ph, R-0, f
D....4	50.04.0518	MR754	6 A, 400V, RECTIFIER	Mt
DL....1	50.04.2202	HLM1790	GRN DIF, LED 3.18MM	HP, i1
DV....1	50.04.1112	5.1V	5 %, 0.5 W, Z,	ITT, Mot, Ph, Tf, SGS/Tio
DV....2	50.04.1112	5.1V	5 %, 0.5 W, Z,	ITT, Mot, Ph, Tf, SGS/Tio
DV....3	50.04.1117	12 V	5 %, 0.5 W, Z,	ITT, Mot, Ph, Tf, SGS/Tio
IC....1	50.05.0283	LM393	DIP08, DUAL COMPARADR	NS, Ph, TI, SGS/Tio
IC....2	50.04.2148	CM465	D1104, OPTOCOUPLER	f
J....1	54.25.0008	8-P	see note 1	
K....1	56.02.0201	SC842110	25 A, 250 V, Solid State Relay /!/\	CELDNC
L....1	62.03.0115	1 mH	15 A, COMMON MODE, /!\	Hartmann, Sie, Tok n
MP....1	1.820.80.14	1 pce	MAIN SOFT START PCB, /!\	it
MP....2	1.820.80.93	1 pce	LL MAIN SOFT START BOARD	it
MP....3	21.98.0117	2 pcs	Z-Schr. NYLON, M3 * 6	
MP....4	43.01.0108	1 pce	ESE-Warnschild	
MP....5	1.010.02.022	2 pcs	Nietmutter, M3 * 25	it
MP....6	1.010.02.022	4 pcs	Nietmutter, M3 * 24	it
MP....7	1.820.80.01	1 pce	Nr.-Etikette, 5 * 21	
MP....8	1.820.80.04	1 pce	Isolation, MAIN SOFT START BOARD	it
MP....9	1.820.80.05	1 pce	Bezeichnungsschild, Anschlusse	it
P....1	54.02.0335	1-P	STR., MALE, FLATPIN 6.3*0.8	
P....2	54.02.0335	1-P	STR., MALE, FLATPIN 6.3*0.8	
P....3	54.02.0335	1-P	STR., MALE, FLATPIN 6.3*0.8	
P....4	54.02.0335	1-P	STR., MALE, FLATPIN 6.3*0.8	
P....5	54.02.0335	1-P	STR., MALE, FLATPIN 6.3*0.8	
P....6	54.02.0335	1-P	STR., MALE, FLATPIN 6.3*0.8	
P....7	54.02.0335	1-P	STR., MALE, FLATPIN 6.3*0.8	
P....8	54.02.0335	1-P	STR., MALE, FLATPIN 6.3*0.8	
P....9	54.14.2101	10-P	see note 2	
Q....1	50.03.0452	BD140-10	PNP, T0126-1	Ph, Tf, To, SGS/Tio
Q....2	50.03.0491	BC546B	NPN, T092-1	Ph, Se
Q....3	50.03.0329	WP146	PFET, T092-6	Sx
R....1	57.11.3821	820 Ohm	1 %, 0.4W, MF	
R....2	57.11.3821	820 Ohm	1 %, 0.4W, MF	
R....3	57.11.3474	470 Kohm	1 %, 0.4W, MF	
R....4	57.11.3822	8.2 Kohm	1 %, 0.4W, MF	
R....5	57.11.3103	10 Kohm	1 %, 0.4W, MF	
R....6	57.11.3103	10 Kohm	1 %, 0.4W, MF	
R....7	57.11.3103	10 Kohm	1 %, 0.4W, MF	
R....8	57.11.3105	1 Mohm	1 %, 0.4W, MF	
R....9	57.11.3105	1 Mohm	1 %, 0.4W, MF	
R....10	57.11.3182	1.8 Kohm	1 %, 0.4W, MF	
R....11	57.11.3153	15 Kohm	1 %, 0.4W, MF	
R....12	57.11.3223	22 Kohm	1 %, 0.4W, MF	
R....13	57.19.0102	1 Kohm	5 %, 0.3W, Fusible Resistor, /!\	
R....14	57.11.3153	15 Kohm	1 %, 0.4W, MF	
R....15	57.59.6150	15 Ohm	10 %, 7 W, Wirewound Resistor with Fuse	
R....16	57.59.6150	15 Ohm	10 %, 7 W, Wirewound Resistor with Fuse	
R....17	57.59.6150	15 Ohm	10 %, 7 W, Wirewound Resistor with Fuse	
R....18	57.59.6150	15 Ohm	10 %, 7 W, Wirewound Resistor with Fuse	
R....19	57.11.3154	150 Kohm	1 %, 0.4W, MF	
R....20	57.11.3154	150 Kohm	1 %, 0.4W, MF	

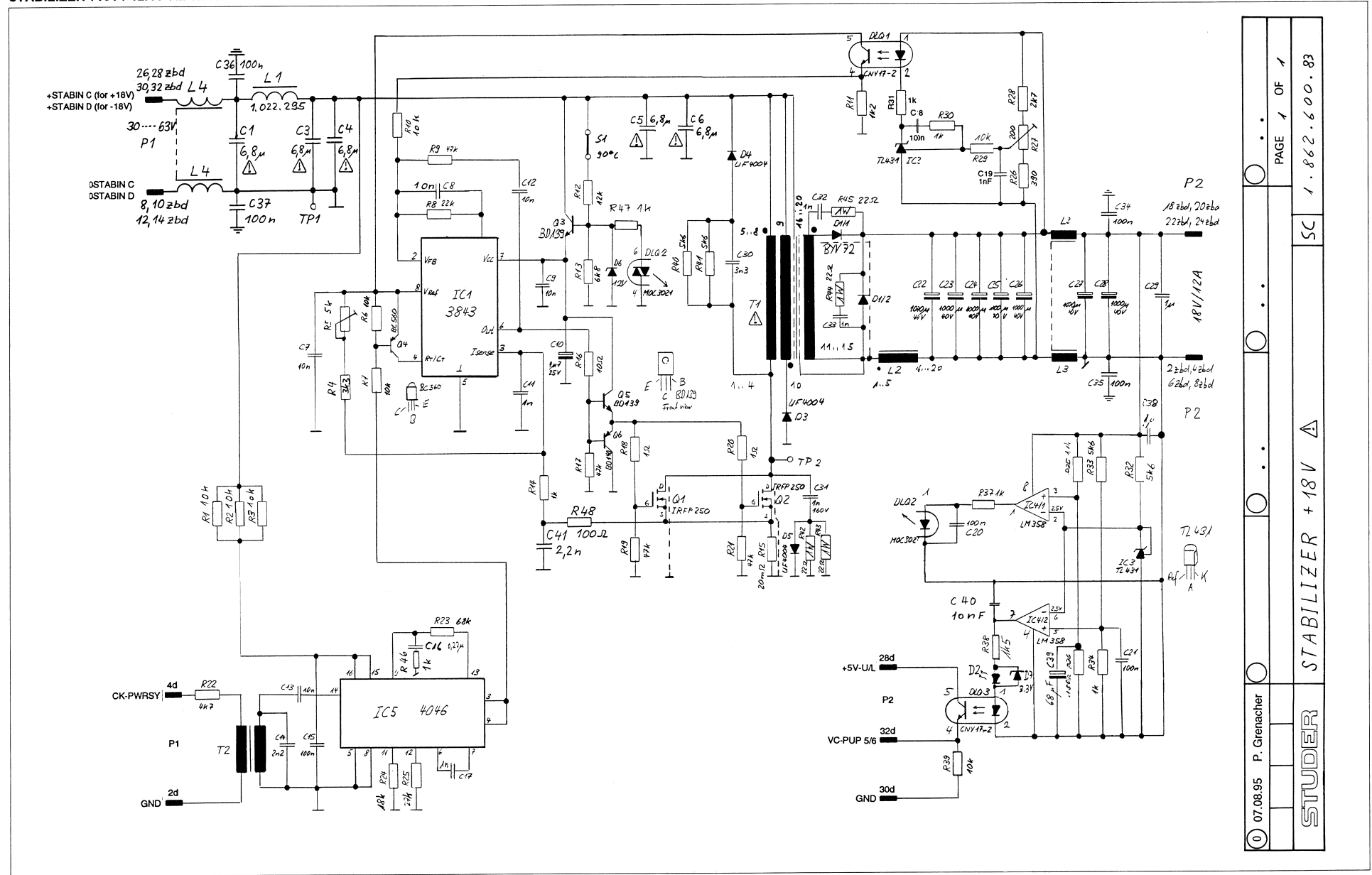
Note 1 - Connector, 3 contacts:  
case: AMP Nr. 826 851-3

Note 2 - Connector, 10 contacts:  
case: Siemens Nr. V 23535 - A 200 - A 102  
Thomas + Betz Nr. 501 - 1027 ES

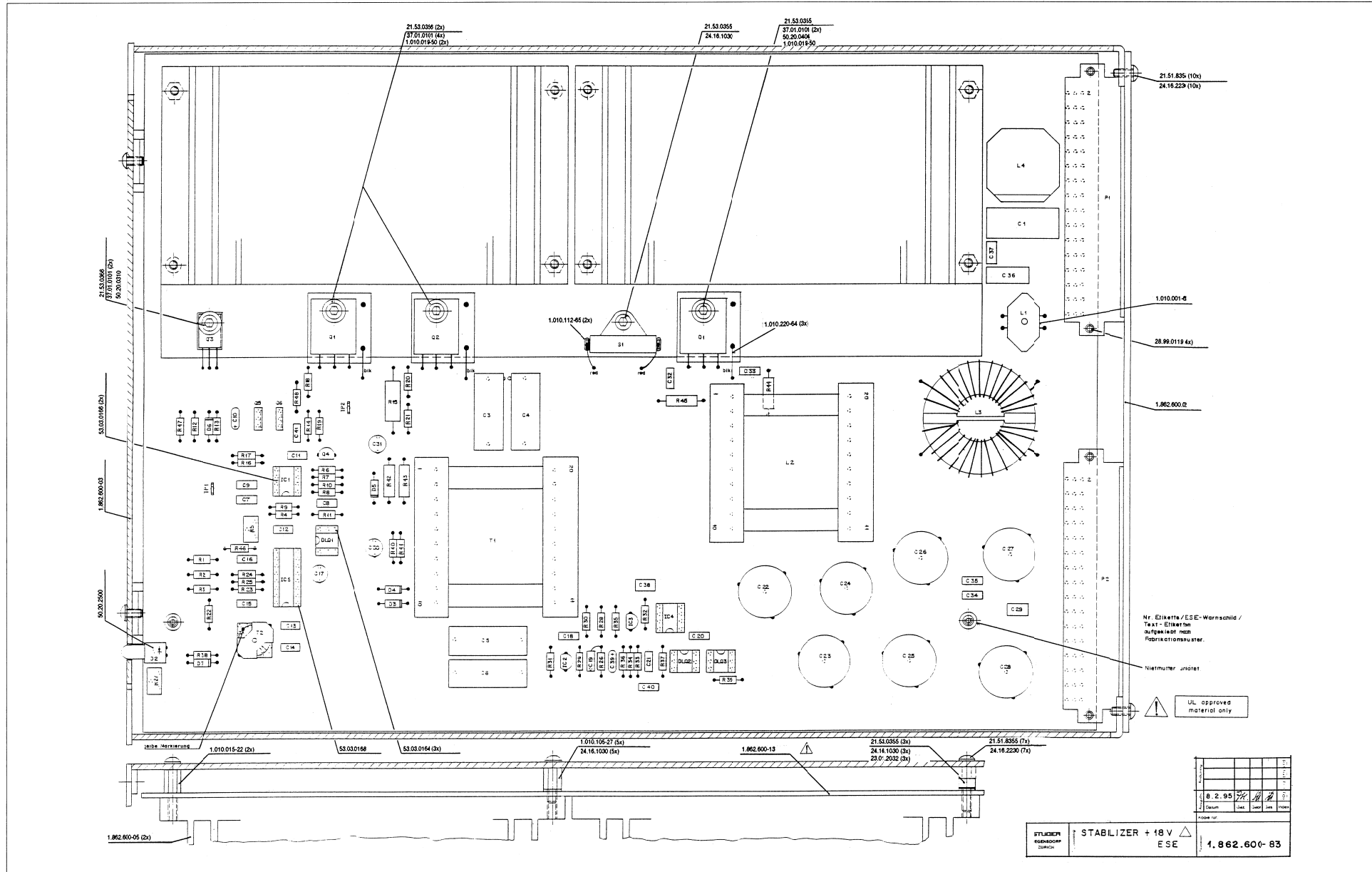
MF = Metal Film, PEP = Polyesterfilm, E = Electrolytic,  
MANUFACTURER: GI=General Instruments, HP=Hewlett Packard, St=Studer,  
IR=International Rectifier, ITT=Intermetall, Mt=Motorola,  
NS=National Semiconductors, Ph=Phillips, R-OR=Om,  
SGS=SGS/Ates, Sie=Siemens, St=Siliconix, Tf=Tiefenfunk,  
Tho=Thomson, TI=Texas Instruments, To=Toshiba.

1.820.80.84 MAIN SOFT START BOARD /!/\ GP 9/08/0400

STABILIZER +18V / 12A PCM 1.862.600.83



STABILIZER +18V / 12A PCM 1.862.600.83



Hr. Etikette / ESE-Warnschild /  
Text - Etikette  
aufgeben ist von  
Fabrikationsmaster.

Niet meten!  
niet test!

UL approved  
material only


STÜCKER GEBOUCHT ZÜRICH	STABILIZER + 18V ESE	1.862.600-83
-------------------------------	-------------------------	--------------





STABILIZER +18V / 12A PCM 1.862.600.83

Ad	POS.	REF.No.	DESCRIPTION	MANUFACTURER	Ad	POS.	REF.No.	DESCRIPTION	MANUFACTURER
C.....1	59.02.0685	6.8 uF	10%, 63V, MPC, /I\		R....27	58.01.9201	200 Ohm	see note 2	
C.....3	59.02.0685	6.8 uF	10%, 63V, MPC, /I\		R....28	57.11.3272	2.7 kOhm	1%	
C.....4	59.02.0685	6.8 uF	10%, 63V, MPC, /I\		R....29	57.11.3103	10 kOhm	1%	
C.....5	59.02.0685	6.8 uF	10%, 63V, MPC, /I\		R....30	57.11.3102	1 kOhm	1%	
C.....6	59.02.0685	6.8 uF	10%, 63V, MPC, /I\		R....31	57.11.3102	1 kOhm	1%	
C.....7	59.06.0103	10 nF	10%, 63V, PETP		R....32	57.11.3562	5.6 kOhm	1%	
C.....8	59.06.0103	10 nF	10%, 63V, PETP		R....33	57.11.3562	5.6 kOhm	1%	
C.....9	59.06.0103	10 nF	10%, 63V, PETP		R....34	57.11.3102	1 kOhm	1%	
C.....10	59.26.5479	4.7 uF	20%, 25V, Sal		R....35	57.11.3112	1.1 kOhm	1%	
C.....11	59.06.0102	1 nF	10%, 63V, PETP		R....36	57.11.3161	160 Ohm	1%	
C.....12	59.06.0103	10 nF	10%, 63V, PETP		R....37	57.11.3102	1 kOhm	1%	
C.....13	59.06.0103	10 nF	10%, 63V, PETP		R....38	57.11.3152	1.5 kOhm	1%	
C.....14	59.06.0222	2.2 nF	10%, 63V, PETP		R....39	57.11.3103	10 kOhm	1%	
C.....15	59.06.0104	100 nF	10%, 63V, PETP		R....40	57.11.3562	5.6 kOhm	1%	
C.....16	59.06.0224	220 nF	10%, 63V, PETP		R....41	57.11.3562	5.6 kOhm	1%	
C.....17	59.05.2102	1 nF	2.5%, 63V, PP		R....42	57.13.4220	22 Ohm	2%, 1W	
C.....18	59.06.0104	100 nF	10%, 63V, PETP		R....43	57.13.4220	22 Ohm	2%, 1W	
C.....19	59.06.0102	1 nF	10%, 63V, PETP		R....44	57.13.4220	22 Ohm	2%, 1W	
C.....20	59.06.0104	100 nF	10%, 63V, PETP		R....45	57.13.4220	22 Ohm	2%, 1W	
C.....21	59.06.0104	100 nF	10%, 63V, PETP		R....46	57.11.3102	1 kOhm	1%	
C.....22	59.28.4102	1000 uF	20%, 40V, EI		R....47	57.11.3102	1 kOhm	1%	
C.....23	59.28.4102	1000 uF	20%, 40V, EI		R....48	57.11.3101	100 Ohm	1%	
C.....24	59.28.4102	1000 uF	20%, 40V, EI		S.....1	55.19.0005		Thermo switch, Tokin nr. OHD 3 - 90 BU	
C.....25	59.28.4102	1000 uF	20%, 40V, EI		T.....1	1.022.615.00		Switching power transformer, 18 V, /I\ St	
C.....26	59.28.4102	1000 uF	20%, 40V, EI		T.....2	1.022.614.00		Synch. Transformer	
C.....27	59.28.4102	1000 uF	20%, 40V, EI		TP....1	54.02.0320		Test Point	
C.....28	59.28.4102	1000 uF	20%, 40V, EI		TP....2	54.02.0320		Test Point	
C.....29	59.06.0105	1 uF	10%, 50V, PETP						
C.....30	59.05.2332	3.3 nF	2.5%, 160V, PP						
C.....31	59.05.2102	1 nF	2.5%, 630V, PP						
C.....32	59.06.0102	1 nF	10%, 63V, PETP						
C.....33	59.06.0102	1 nF	10%, 63V, PETP						
C.....34	59.06.0104	100 nF	10%, 63V, PETP						
C.....35	59.06.0104	100 nF	10%, 63V, PETP						
C.....36	59.31.6104	100 nF	10%, 100V, PETP						
C.....37	59.06.0104	100 nF	10%, 63V, PETP						
C.....38	59.06.0105	1 uF	10%, 50V, PETP						
C.....39	59.26.0680	68 uF	20%, 6.3V, Sal						
C.....40	59.06.0103	10 nF	10%, 63V, PETP						
C.....41	59.06.0222	2.2 nF	10%, 63V, PETP						
D.....1	50.04.0522	BYV 72-100	BYV 99P-100						
D.....2	50.04.2109	MV 5053							
D.....3	50.04.0138	UF 4004							
D.....4	50.04.0138	UF 4004							
D.....5	50.04.0138	UF 4004							
D.....6	50.04.1222		18 V Z-Diode						
D.....7	50.04.1107		3.3V Z-Diode 5% 0.4W						
DLQ....1	50.04.3200	CNY17-2							
DLQ....2	50.04.2139	MOC 3021		Mot					
DLQ....3	50.04.3200	CNY17-2							
IC....1	50.10.0113	IP 3843N	UC 3843N	IPS,Un					
IC....2	50.10.0106	TL 431 CLP		Mot,TI					
IC....3	50.10.0106	TL 431 CLP		Mot,TI					
IC....4	50.05.0286	LM 358N		Mot					
IC....5	50.07.1046	MC140468PC		Mot only					
L.....1	1.022.295.81		Filter coil	St					
L.....2	1.022.616.00		Choke Coil +18V	St					
L.....3	62.03.0115		Netzfilter >1.0mH, 15A						
L.....4	62.03.0106		Netzfilter >0.6mH, 6A						
P.....1	54.11.2015		Euro Connector F, 3*16						
P.....2	54.11.2015		Euro Connector F, 3*16						
Q.....1	50.03.1612	IRF P250							
Q.....2	50.03.1612	IRF P250							
Q.....3	50.03.0451	8D 139							
Q.....4	50.03.0601	8C 560C							
Q.....5	50.03.0451	8D 139							
Q.....6	50.03.0452	8D 140							
R.....1	57.11.3103	10 kOhm	1%						
R.....2	57.11.3103	10 kOhm	1%						
R.....3	57.11.3103	10 kOhm	1%						
R.....4	57.11.3332	3.3 kOhm	1%						
R.....5	58.01.9502	5 kOhm	see note 1						
R.....6	57.11.3103	10 kOhm	1%						
R.....7	57.11.3103	10 kOhm	1%						
R.....8	57.11.3223	22 kOhm	1%						
R.....9	57.11.3473	47 kOhm	1%						
R.....10	57.11.3103	10 kOhm	1%						
R.....11	57.11.3122	1.2 kOhm	1%						
R.....12	57.11.3123	12 kOhm	1%						
R.....13	57.11.3682	6.8 kOhm	1%						
R.....14	57.11.3102	1 kOhm	1%						
R.....15	57.56.2020	20 mOhm	5%, 3 W, Low Inductance						
R.....16	57.11.3100	10 Ohm	1%						
R.....17	57.11.3473	47 kOhm	1%						
R.....18	57.11.3109	1 Ohm	1%						
R.....19	57.11.3473	47 kOhm	1%						
R.....20	57.11.3109	1 Ohm	1%						
R.....21	57.11.3473	47 kOhm	1%						
R.....22	57.11.3472	4.7 kOhm	1%						
R.....23	57.11.3683	68 kOhm	1%						
R.....24	57.11.3183	18 kOhm	1%						
R.....25	57.11.3273	27 kOhm	1%						
R.....26	57.11.3391	390 Ohm	1%						

/I\ = Increasing of safety relative to risk of fire.

Note 1 - Potentiometer, 5 kOhm: Bourns nr. 3386 X-1-502  
Spectrol nr. 63 X 502 T 010  
Murata nr. POT 3104 X-1-502

Note 2 - Potentiometer, 200 Ohm: Bourns nr. 3386 X-1-201  
Spectrol nr. 63 X 201 T 010  
Murata nr. POT 3104 X-1-201

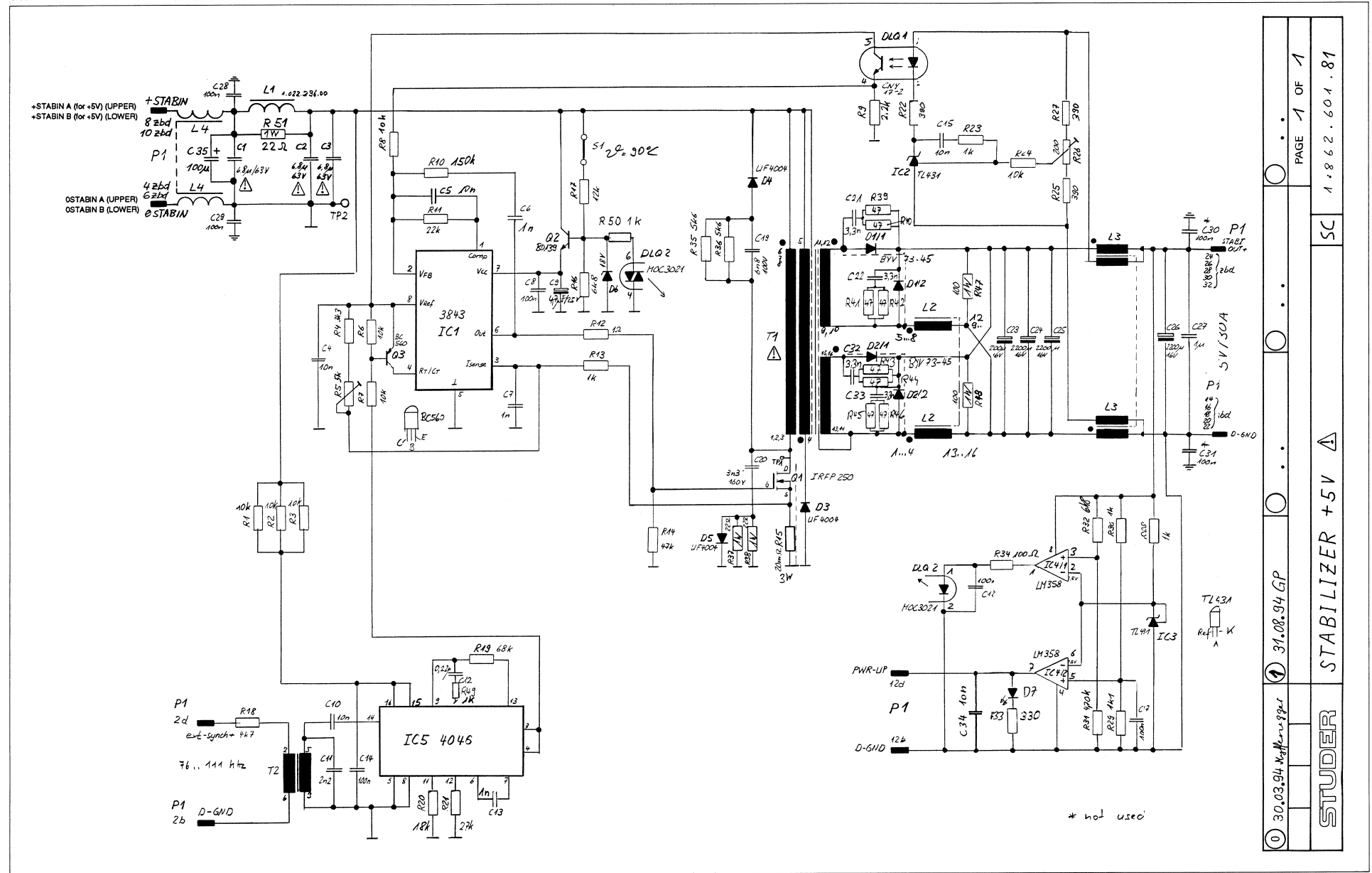
EI=Electrolytic, MPETP=Metallized Polyesterfilm, PETP=Polyesterfilm, PP=Polypropylene, Sal=Solid aluminium, MPC=Metallized Polycarbonate film.

MANUFACTURER: Fc=Fairchild, ITT=Intermetall, IR=International Rectifier, Mot=Motorola, NS=National Semiconductors, Ph=Philips, RCA=RCA Corp. of America, Ses=Sescosem, SGS=SGS/Ates, Sie=Siemens, Six=Siliconix, St=Studer, Tf=Telefunken, Tho=Thomson CSF, TI=Texas Instruments, To=Toshiba, GI=General Instruments.

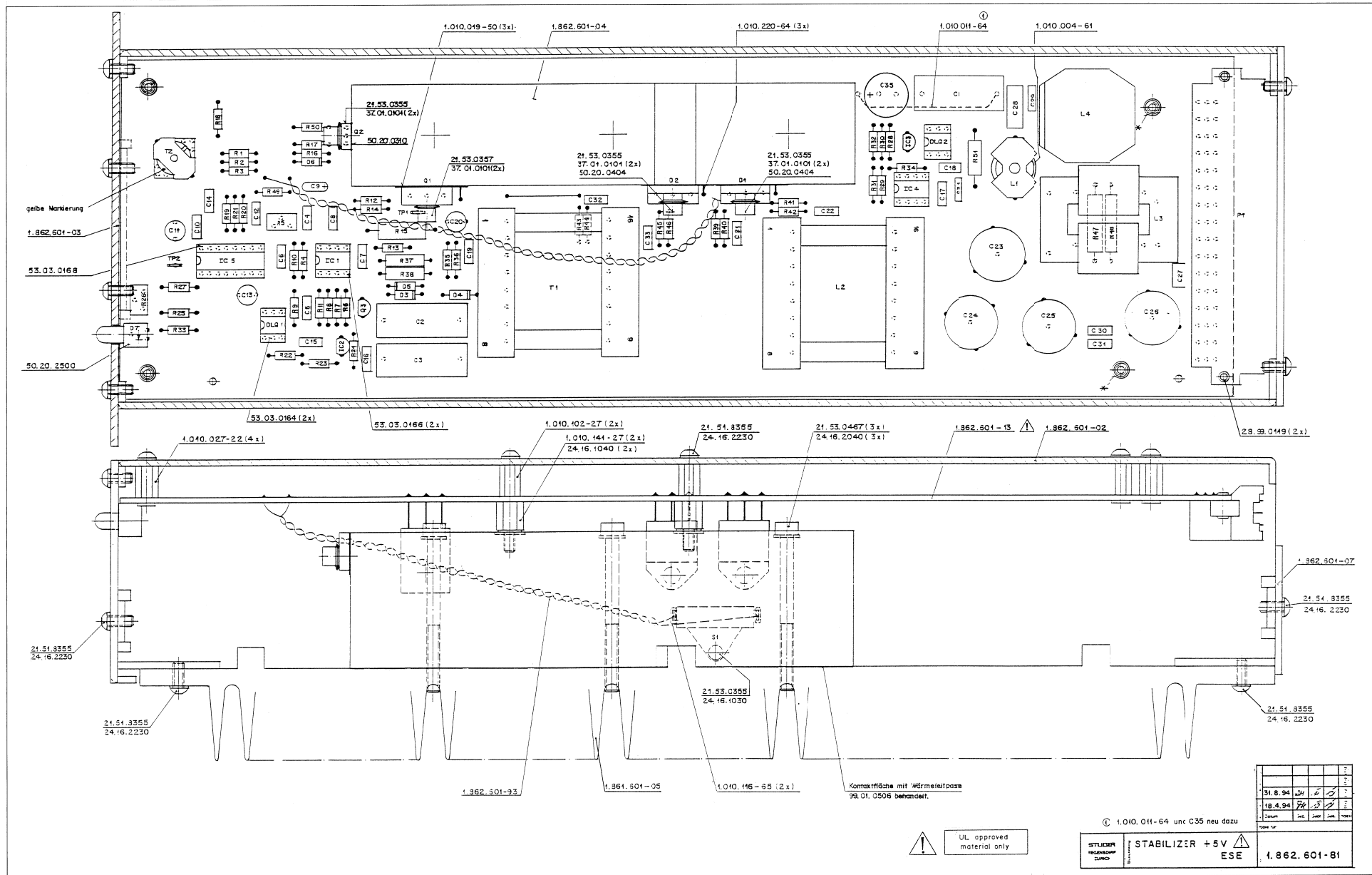
1.862.600.83 STABILIZER + 18V /I\ GP 95/02/0800

END

STABILIZER +5V / 30A PCM 1.862.601.81



STABILIZER +5V / 30A PCM 1.862.601.81

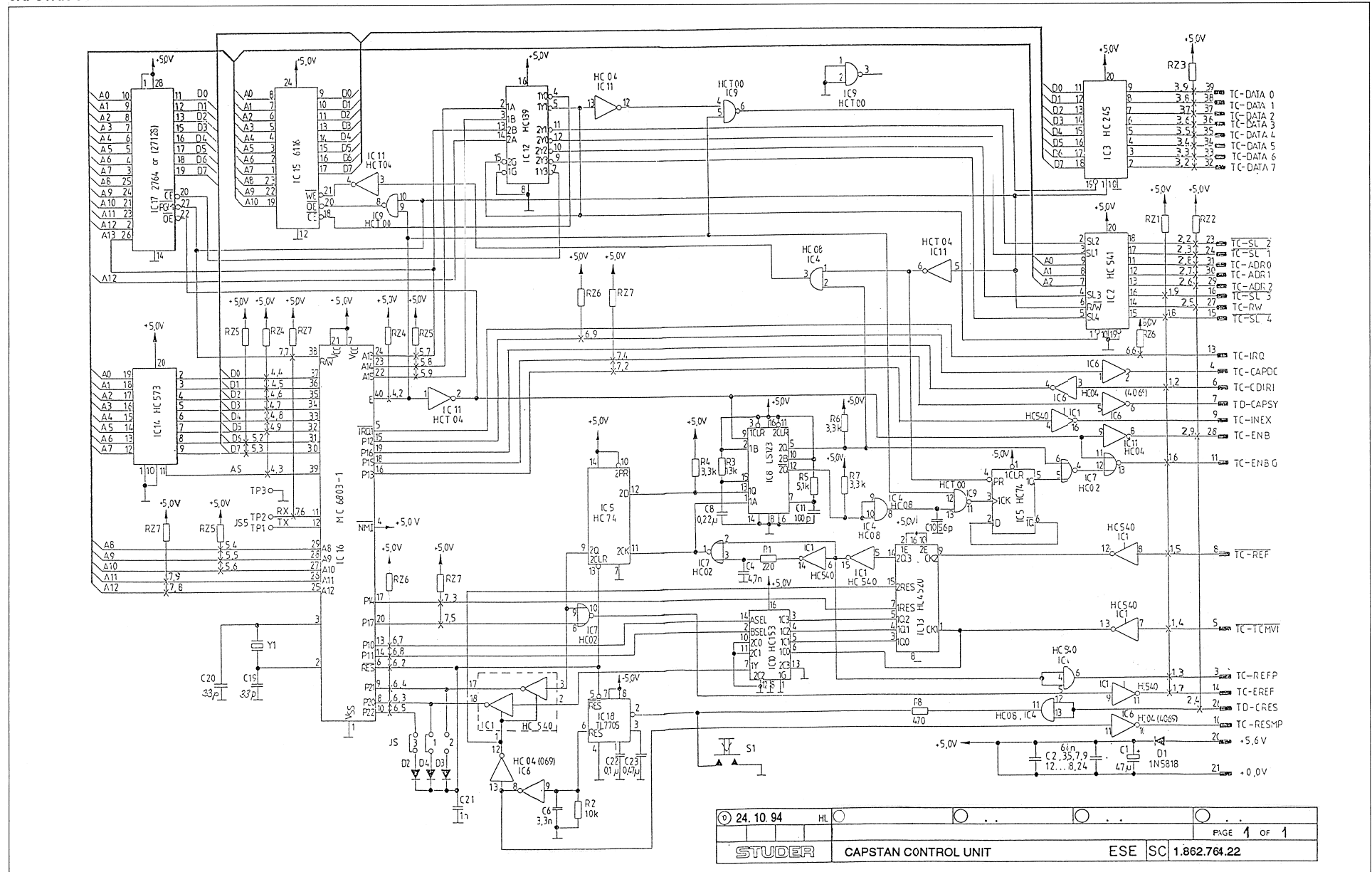




STABILIZER +5V / 30A PCM 1.862.601.81

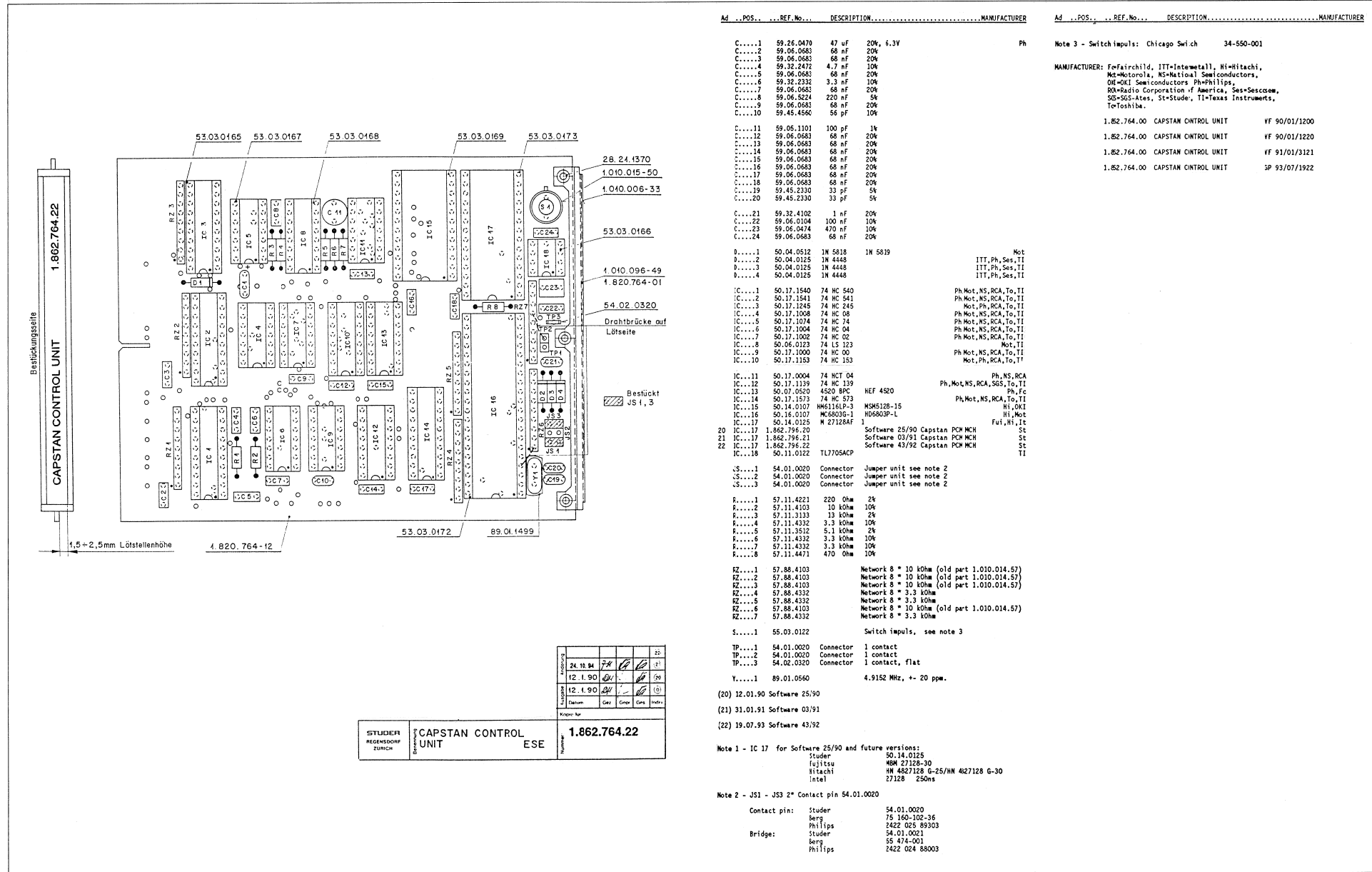
Ad	POS.	REF.No.	DESCRIPTION	MANUFACTURER	Ad	POS.	REF.No.	DESCRIPTION	MANUFACTURER	
C....1		59.02.0685	6.8 uF	10%, 63V, MPC, /I\	R....37		57.13.4220	22 Ohm	2% 1W	
C....2		59.02.0685	6.8 uF	10%, 63V, MPC, /I\	R....38		57.13.4220	22 Ohm	2% 1W	
C....3		59.02.0685	6.8 uF	10%, 63V, MPC, /I\	R....39		57.11.3470	47 Ohm	1%	
C....4		59.06.0103	10 nF	10%, 63V, PETP	R....40		57.11.3470	47 Ohm	1%	
C....5		59.06.0103	10 nF	10%, 63V, PETP	R....41		57.11.3470	47 Ohm	1%	
C....6		59.06.0102	1 nF	10%, 63V, PETP	R....42		57.11.3470	47 Ohm	1%	
C....7		59.06.0102	1 nF	10%, 63V, PETP	R....43		57.11.3470	47 Ohm	1%	
C....8		59.06.0104	100 nF	10%, 63V, PETP	R....44		57.11.3470	47 Ohm	1%	
C....9		59.26.5479	4.7 uF	20%, 25V, Sal	R....45		57.11.3470	47 Ohm	1%	
C....10		59.06.0103	10 nF	10%, 63V, PETP	R....46		57.11.3470	47 Ohm	1%	
C....11		59.05.2222	2.2 nF	2.5%, 160V, PP	R....47		57.13.4101	100 Ohm	2% 1W	
C....12		59.06.0224	220 nF	10%, 63V, PETP	R....48		57.13.4101	100 Ohm	2% 1W	
C....13		59.05.2102	1 nF	2.5%, 630V, PP	R....49		57.11.3102	1 kOhm	1%	
C....14		59.06.0104	100 nF	10%, 63V, PETP	R....50		57.11.3102	1 kOhm	1%	
C....15		59.06.0103	10 nF	10%, 63V, PETP	R....51		57.13.4220	22 Ohm	2% 1W	
C....16		00.00.0000	not used		S....1		55.19.0005		Thermo switch, Tokin nr. OHD 3 - 90 BU	
C....17		59.06.0104	100 nF	10%, 63V, PETP	T....1		1.022.613.00		Switching power transformer +5 V, /I\ St	
C....18		59.06.0104	100 nF	10%, 63V, PETP	T....2		1.022.614.00		Synch. Transformer	
C....19		59.06.0682	6.8 nF	10%, 63V, PETP	TP....1		54.02.0320		Test point	
C....20		59.05.2332	3.3 nF	2.5%, 160V, PP	TP....2		54.02.0320		Test point	
C....21		59.06.0332	3.3 nF	10%, 63V, PETP	/I\ = Increasing of safety relative to risk of fire.					
C....22		59.06.0332	3.3 nF	10%, 63V, PETP	Note 1 - Potentiometer, 5 kOhm: Bourns nr. 3386 X-1-502					
C....23		59.28.2222	2200 uF	20%, 16V, EI	Spectrol nr. 63 X 502 T 010					
C....24		59.28.2222	2200 uF	20%, 16V, EI	Murata nr. POT 3104 X-1-502					
C....25		59.28.2222	2200 uF	20%, 16V, EI	NOTE 2 - Potentiometer, 200 Ohm: Bourns nr. 3386 X-1-201					
C....26		59.28.2222	2200 uF	20%, 16V, EI	Spectrol nr. 63 X 201 T 010					
C....27		59.06.0105	1 uF	10%, 50V, PETP	Murata nr. POT 3104 X-1-201					
C....28		59.31.6104	100 nF	10%, 100V, PETP	EI=Electrolytic, MPETP=Metallized Polyesterfilm, PETP=Polyesterfilm,					
C....29		59.06.0104	100 nF	10%, 63V, PETP	PP=Polypropylene, Sal=Solid aluminium, MPC=Metallized Polycarbonate film.					
C....30		00.00.0000	not used		MANUFACTURER: Fc=Fairchild, ITI=Intermetall, IR=International Rectifier,					
C....31		00.00.0000	not used		Mot=Motorola, NS=National Semiconductors, Ph=Philips,					
C....32		59.06.0332	3.3 nF	10%, 63V, PETP	Mot=Motorola, NS=National Semiconductors, Ph=Philips,					
C....33		59.06.0332	3.3 nF	10%, 63V, PETP	RCA=RCA Corp. of America, Ses=Sesocsem, SGS=SGS/Ates,					
C....34		59.06.0103	10 nF	10%, 63V, PETP	Sie=Siemens, Six=Siliconix, St=Studer, Tf=Telefunken,					
C....35		59.99.1722	100 uF	20%, 100V, EI	Tho=Thomson CSF, TI=Texas Instruments, To=Toshiba,					
					GI=General Instruments.					
D....1		50.04.0520	BYV 73-45,	MBR 3045PT	Mot,Ph			1.862.601.81	STABILIZER + 5V /I\	GP 94/04/1800
D....2		50.04.0520	BYV 73-45,	MBR 3045PT	Mot,Ph			1.862.601.81	STABILIZER + 5V /I\	GP 94/08/3101
D....3		50.04.0138	UF 4004							
D....4		50.04.0138	UF 4004							
D....5		50.04.0138	UF 4004							
D....6		50.04.1222		18V Z-Diode						
D....7		50.04.2109	MV 5053							
DLQ...1		50.04.3200	CNY17-2							
DLQ...2		50.04.2139	MOC 3021							
IC....1		50.10.0113	IP 3843N	UC 3843N	IPS,Un					
IC....2		50.10.0106	TL 431 CLP		Mot, TI					
IC....3		50.10.0106	TL 431 CLP		Mot, TI					
IC....4		50.05.0286	LM 358N		Mot					
IC....5		50.07.1046	MC14046BPC	...	Mot only					
L....1		1.022.296.00		Filter coil						St
L....2		1.022.611.00		Choke +5V						St
L....3		1.022.612.00		Common Mode Choke +5V						St
L....4		62.03.0106		Common Mode Choke, 0.6 mH, 6 A						
P....1		54.11.2015		Euro Connector F, 3*16,						
Q....1		50.03.1612	IRF P250		IR,Un,Sam					any
Q....2		50.03.0451	BD 139							
Q....3		50.03.0601	BC 560C							
R....1		57.11.3103	10 kOhm	1%						
R....2		57.11.3103	10 kOhm	1%						
R....3		57.11.3103	10 kOhm	1%						
R....4		57.11.3332	3.3 kOhm	1%						
R....5		58.01.9502	5 kOhm	10%, see note 1						
R....6		57.11.3103	10 kOhm	1%						
R....7		57.11.3103	10 kOhm	1%						
R....8		57.11.3103	10 kOhm	1%						
R....9		57.11.3222	2.2 kOhm	1%						
R....10		57.11.3154	150 kOhm	1%						
R....11		57.11.3223	22 kOhm	1%						
R....12		57.11.3109	1 Ohm	1%						
R....13		57.11.3102	1 kOhm	1%						
R....14		57.11.3473	47 kOhm	1%						
R....15		57.56.2020	20 mOhm	5%, 3 W, Low Inductance						
R....16		57.11.3682	6.8 kOhm	1%						
R....17		57.11.3123	12 kOhm	1%						
R....18		57.11.3472	4.7 kOhm	1%						
R....19		57.11.3683	68 kOhm	1%						
R....20		57.11.3183	18 kOhm	1%						
R....21		57.11.3273	27 kOhm	1%						
R....22		57.11.3391	390 Ohm	1%						
R....23		57.11.3102	1 kOhm	1%						
R....24		57.11.3103	10 kOhm	1%						
R....25		57.11.3391	390 Ohm	1%						
R....26		58.01.9201	200 Ohm	10%, see note 2						
R....27		57.11.3391	390 Ohm	1%						
R....28		57.11.3102	1 kOhm	1%						
R....29		57.11.3102	1 kOhm	1%						
R....30		57.11.3102	1 kOhm	1%						
R....31		57.11.3472	4.7 kOhm	1%						
R....32		57.11.3682	6.8 kOhm	1%						
R....33		57.11.3331	330 Ohm	1%						
R....34		57.11.3101	100 Ohm	1%						
R....35		57.11.3562	5k6 kOhm	1%						
R....36		57.11.3562	5k6 kOhm	1%						

CAPSTAN CONTROL UNIT 1.862.764.22

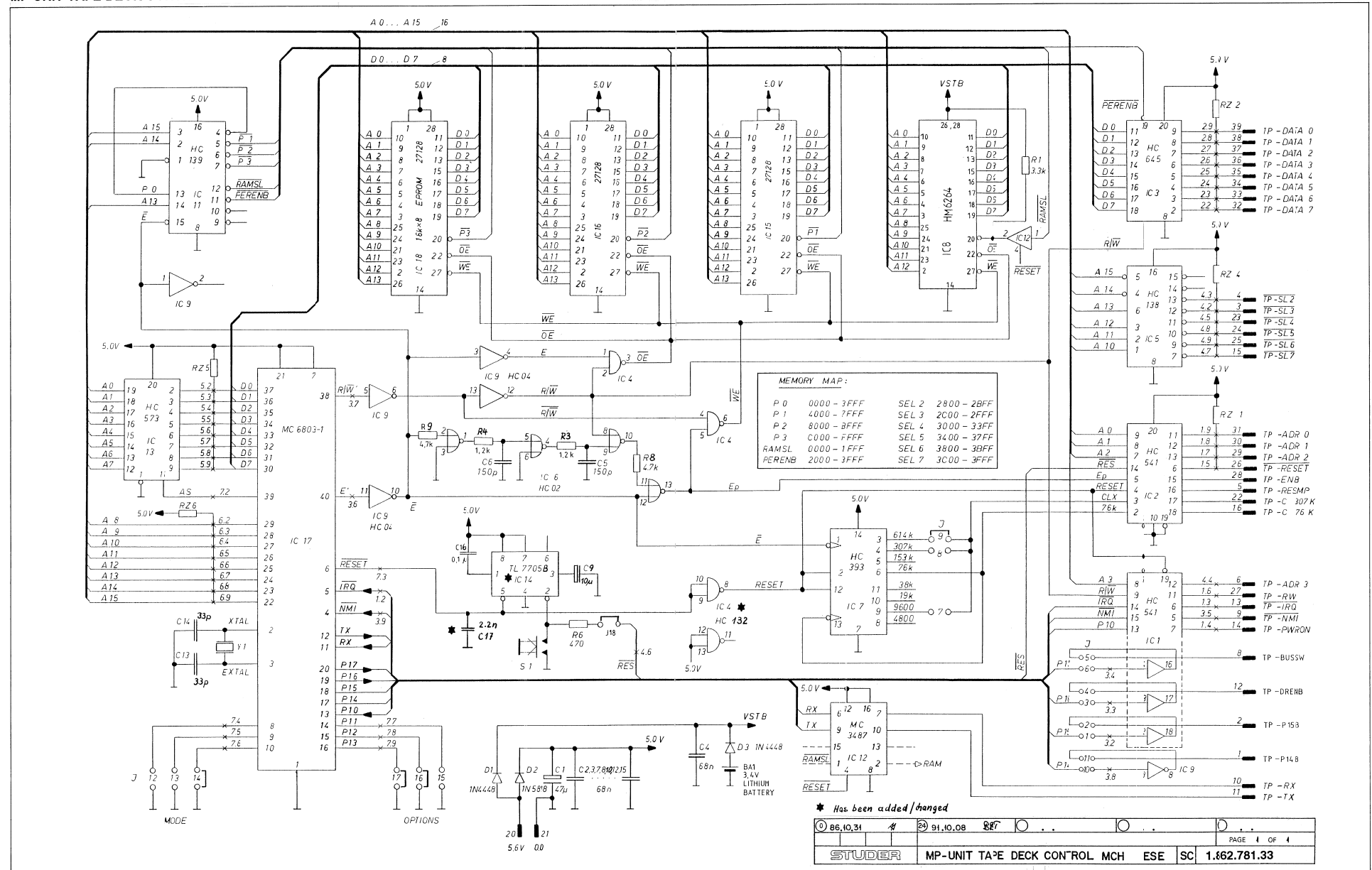




CAPSTAN CONTROL UNIT 1.862.764.22

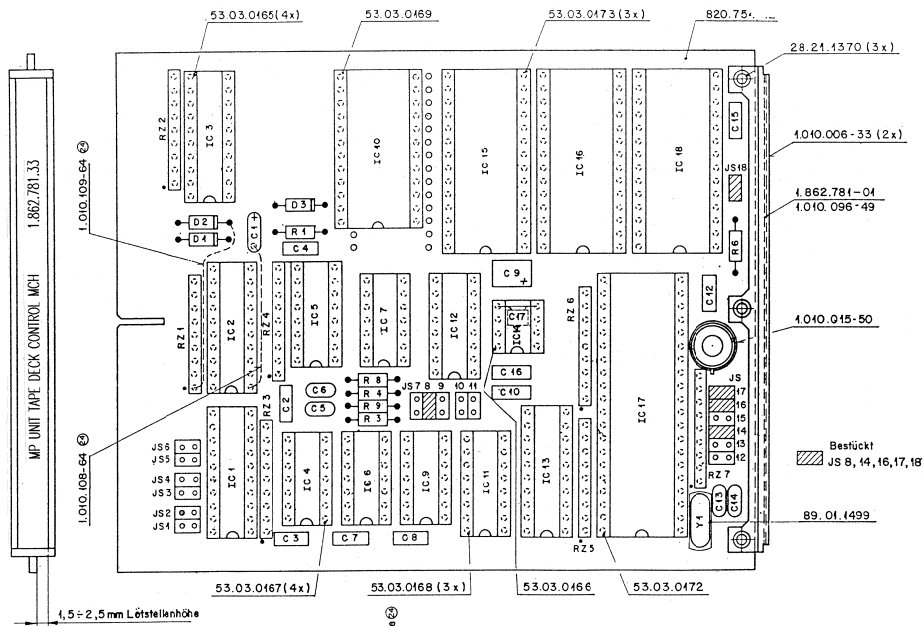


MP UNIT TAPE DECK CONTROL MCH 1.862.781.33





MP UNIT TAPE DECK CONTROL MCH 1.862.781.33



Schilder 43.01.0108  
und 1.101.001.XX  
aufgeklebt nach  
Fabrikationsmuster

C17  
1.010.108-64  
1.010.109-64  
auf Lötseite

1,5 ± 2,5 mm Lötstellenhöhe

8.10.91	24	24	24	24	24
29.7.91	24	24	24	24	24
10.7.91	24	24	24	24	24
31.1.91	24	24	24	24	24
18.7.89	24	24	24	24	24
2	24	24	24	24	24
Kopie für:					

STUDER REGENSDORF ZÜRICH	Bestimmung: MP UNIT TAPE DECK CONTROL MCH	ESE	Nummer: 1.862.781.33
--------------------------------	--	-----	-------------------------

Idx.	Pos.	Part No.	Qty.	Type/Val.	Descriptor
0	C 1	59.26.0470	47u		SAL, 20%, 13V
0	C 2	59.05.0683	68n		PETP, 63V,10%, RM5
0	C 3	59.05.0683	68n		PETP, 63V,10%, RM5
0	C 4	59.05.0683	68n		PETP, 63V,10%, RM5
0	C 5	59.34.7151	150p		CER 63V, 2%, NP150
0	C 6	59.34.7151	150p		CER 63V, 2%, NP150
0	C 7	59.05.0683	68n		PETP, 63V,10%, RM5
0	C 8	59.05.0683	68n		PETP, 63V,10%, RM5
0	C 9	53.28.2100	10u		SAL, 20%, 6V
0	C 10	59.05.0683	68n		PETP, 63V,10%, RM5
0	C 11	not used	not used		not used
0	C 12	59.05.0683	68n		PETP, 63V,10%, RM5
0	C 13	59.34.2330	33p		CER 63V, 5%, N150
0	C 14	59.34.2330	33p		CER 63V, 5%, N150
0	C 15	59.05.0683	68n		PETP, 63V,10%, RM5
0	C 16	59.06.0104	100n		PETP, 63V,10%, RM5
0	C 17	59.06.0222	2n2		PETP, 63V,10%, RM5
0	D 1	50.04.0125	1N4448		75V, 150mA, 4ns, DO-35
0	D 2	50.04.0512	1N5318		D 1N 581E 1N 5819,
0	D 3	50.04.0125	1N4448		75V, 150mA, 4ns, DO-35
0	IC 1	50.17.1541	74HC541		IC ... 74 HC 541 .. A
0	IC 2	50.17.1541	74HC541		IC ... 74 HC 541 .. A
0	IC 3	50.17.1645	74HC645		IC ... 74 HC 245/645 .. A
0	IC 4	50.17.1132	74HC132		IC ... 74 HC 132 .. A
0	IC 5	50.17.1138	74HC138		IC ... 74 HC 138 .. A
0	IC 6	50.17.1002	74HC02		IC ... 74 HC 02 .. A
0	IC 7	50.17.1393	74HC393		IC ... 74 HC 393 .. A
0	IC 8	not used	not used		not used
0	IC 9	50.17.0004	74HCT04		IC ... 74 HCT 04 .. A
0	IC 10	50.14.0107	6115		IC UM 6115-2, SRM 2016C12 .. A
0	IC 11	50.17.1139	74HC139		IC ... 74 HC 139 .. A
0	IC 12	50.15.0105	3497		IC MC 3497 P, DS 3487 N,
0	IC 13	50.17.1573	74HC573		IC ... 74 HC 573 .. A
0	IC 14	50.11.0157	TL7705B		IC TL 7705 BCP,
0	IC 15	not used	not used		not used
0	IC 16	1.662.797.33			SOFTWARE 47/95 TD PCM MCH .. A
0	IC 17	50.16.0107	MC68B03P		IC MC 68B03 P
0	IC 18	1.662.797.33			SOFTWARE 47/95 TD PCM MCH .. A
0	R 2	not used	not used		not used
0	R 3	57.11.3122	1k2		MF, 1%, 0107
0	R 4	57.11.3122	1k2		MF, 1%, 0107
0	R 5	not used	not used		not used
0	R 6	57.11.3471	470R		MF, 1%, 0107
0	R 7	not used	not used		not used
0	R 8	57.11.3472	4k7		MF, 1%, 0107
0	R 9	57.11.3472	4k7		MF, 1%, 0107
0	RZ 2	57.88.4332	8*3k3		2%, SIP 9
0	RZ 3	57.88.4332	8*3k3		2%, SIP 9
0	RZ 4	57.88.4332	8*3k3		2%, SIP 9
0	RZ 5	57.88.4332	8*3k3		2%, SIP 9
0	RZ 6	57.88.4332	8*3k3		2%, SIP 9
0	RZ 7	57.88.4332	8*3k3		2%, SIP 9
0	S 1	55.03.0122	1*a		S 1 TASTE, 1*A, PRINT,IMPULS
0	Y 1	89.01.0560	4.9152MHz		Y 4.9152 MHz,

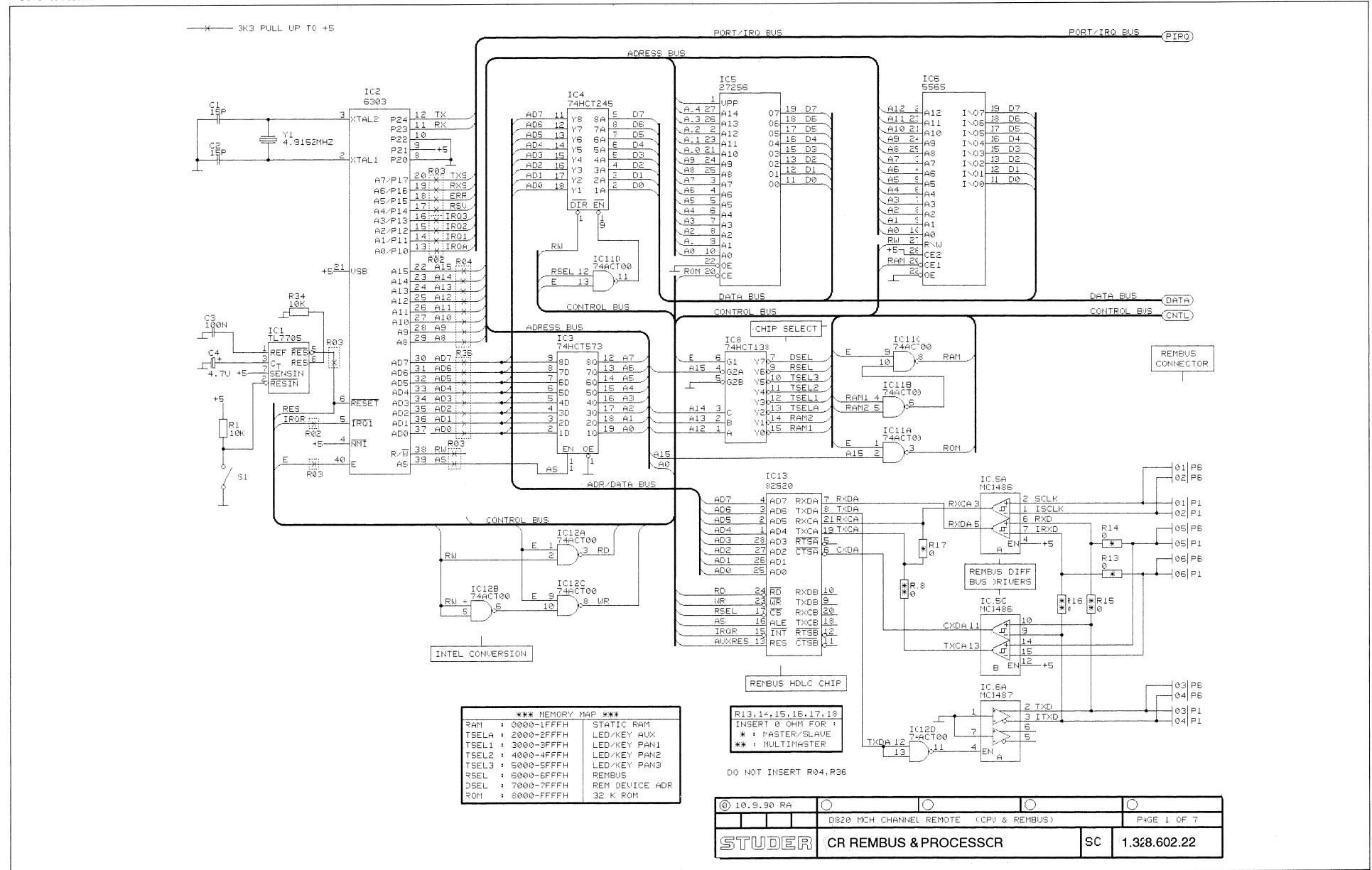
End of List

Comments:  
C16 + IC18, Errorhandling (Error 125) improved



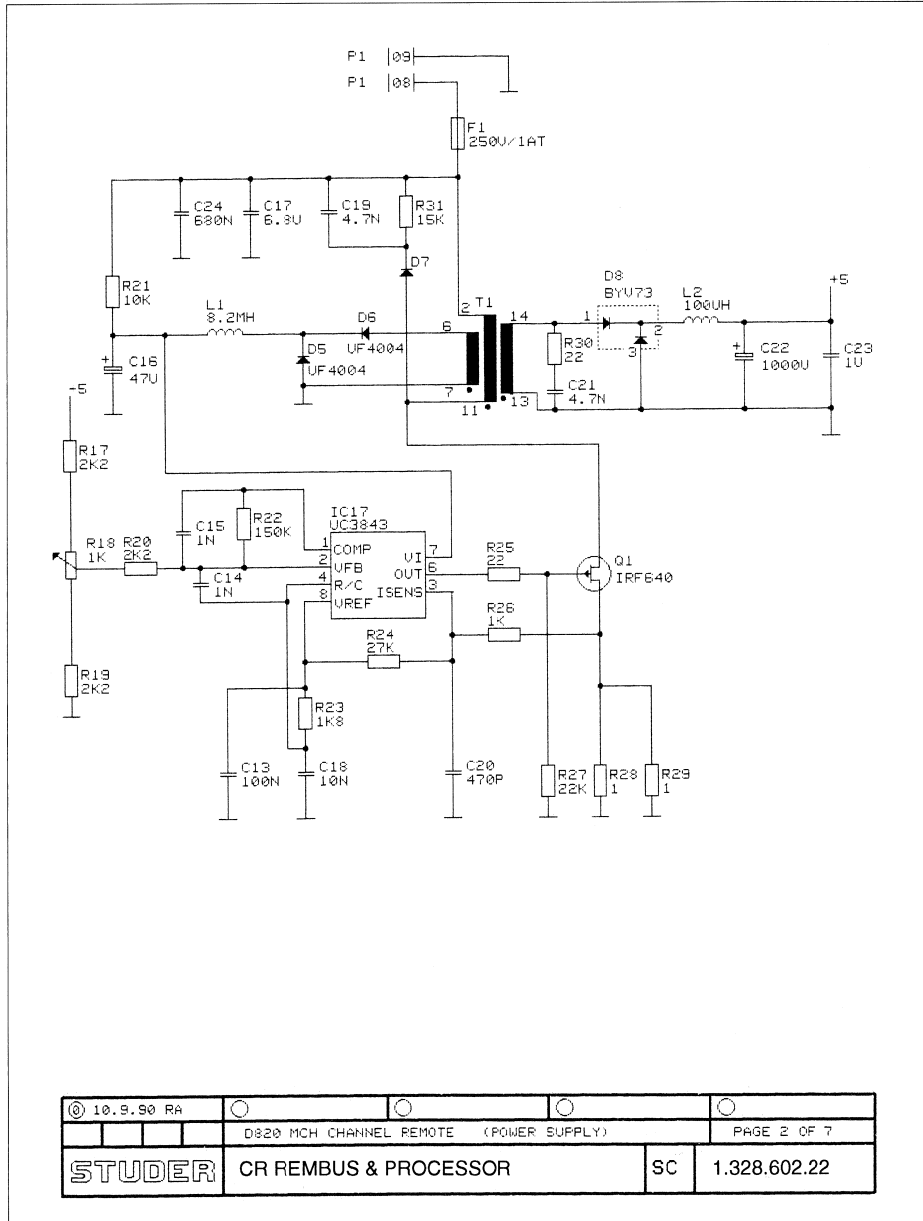
CR REMBUS & PROCESSOR 1.328.602.22

- CPU & Rembus



CR REMBUS & PROCESSOR 1.328.602.22

- Power Supply

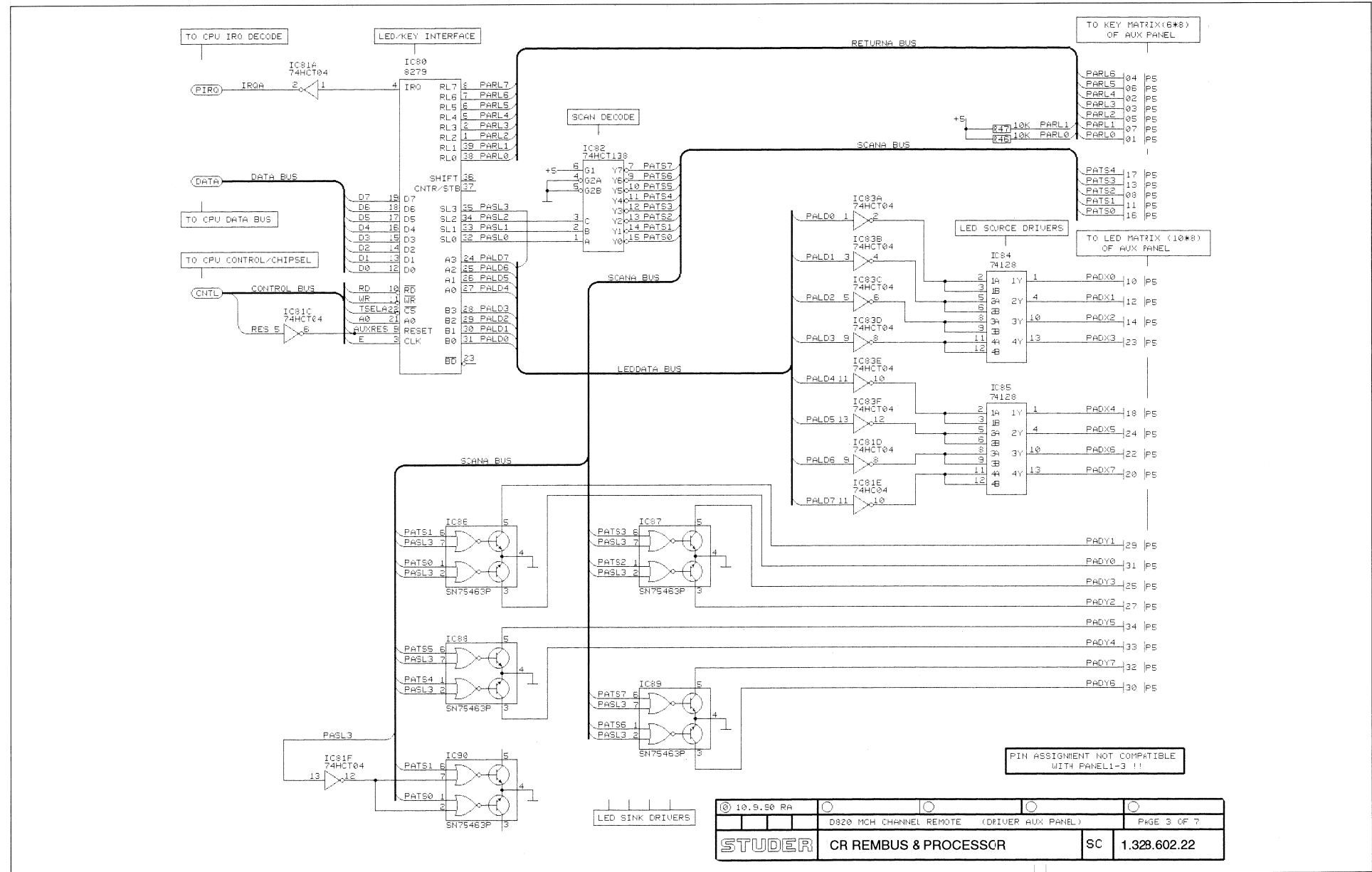


Miroslav Vukobratovic, EMI  
 Miroslav Vukobratovic

© 10.9.90 RA				
	D820 MCH CHANNEL REMOTE (POWER SUPPLY)			PAGE 2 OF 7
<b>STUDER</b>	CR REMBUS & PROCESSOR	SC	1.328.602.22	

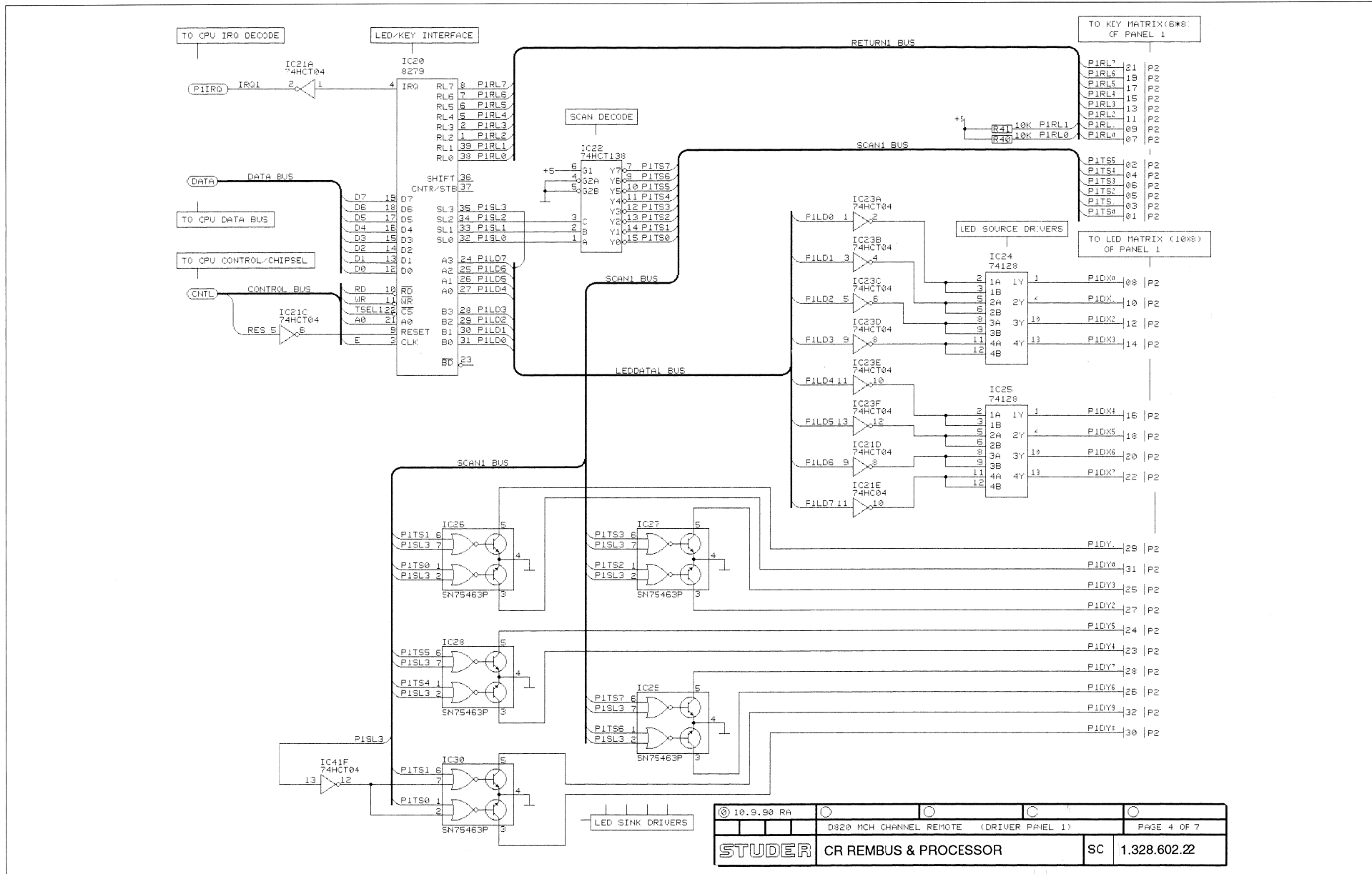
CR REMBUS & PROCESSOR 1.328.602.22

- Driver Aux Panel



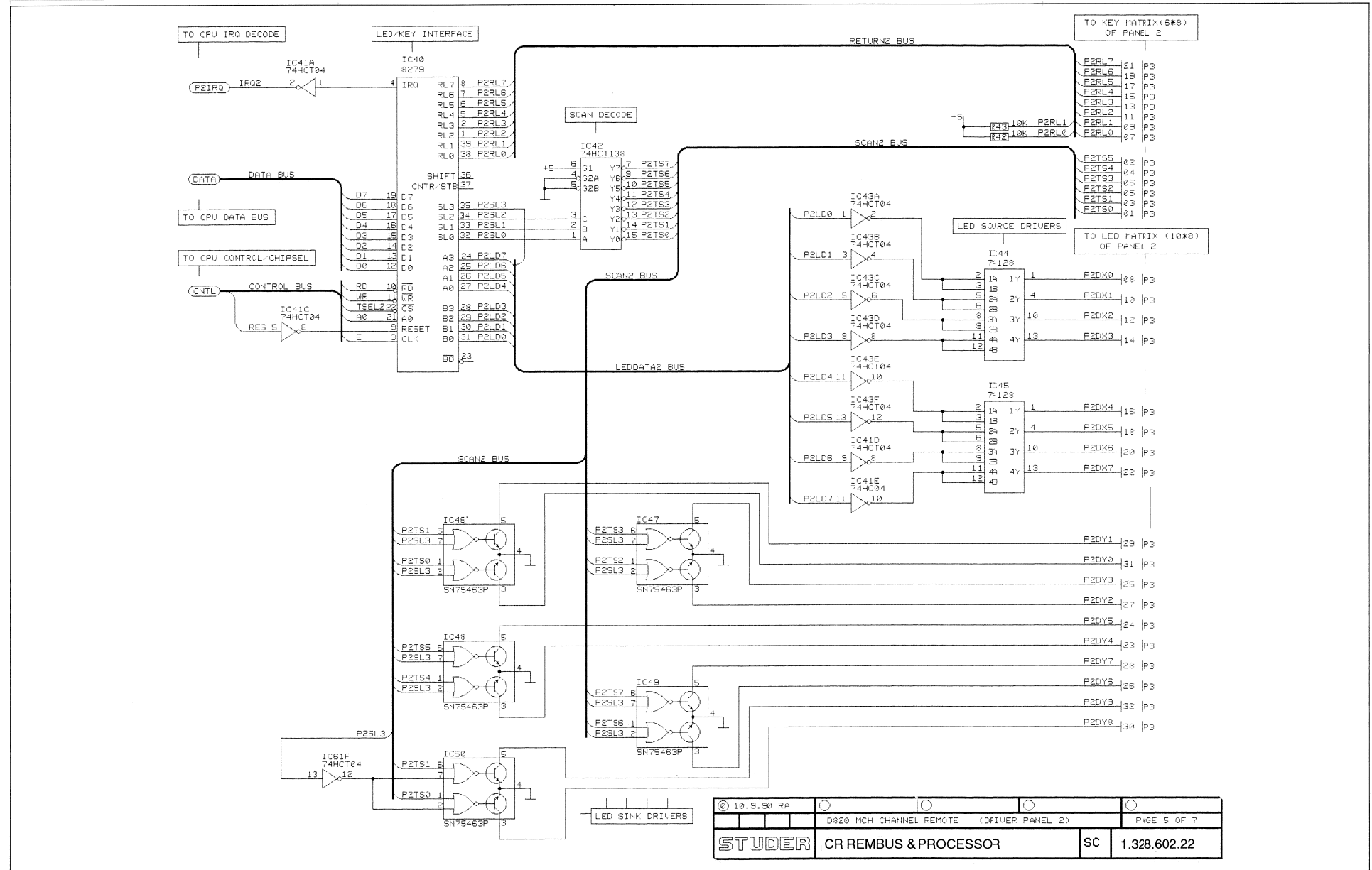
CR REMBUS & PROCESSOR 1.328.602.22

- Driver Panel 1



© 10.9.90 RA	D820 MCH CHANNEL REMOTE (DRIVER PANEL 1)	PAGE 4 OF 7
<b>STUDER</b>	<b>CR REMBUS &amp; PROCESSOR</b>	<b>SC 1.328.602.22</b>

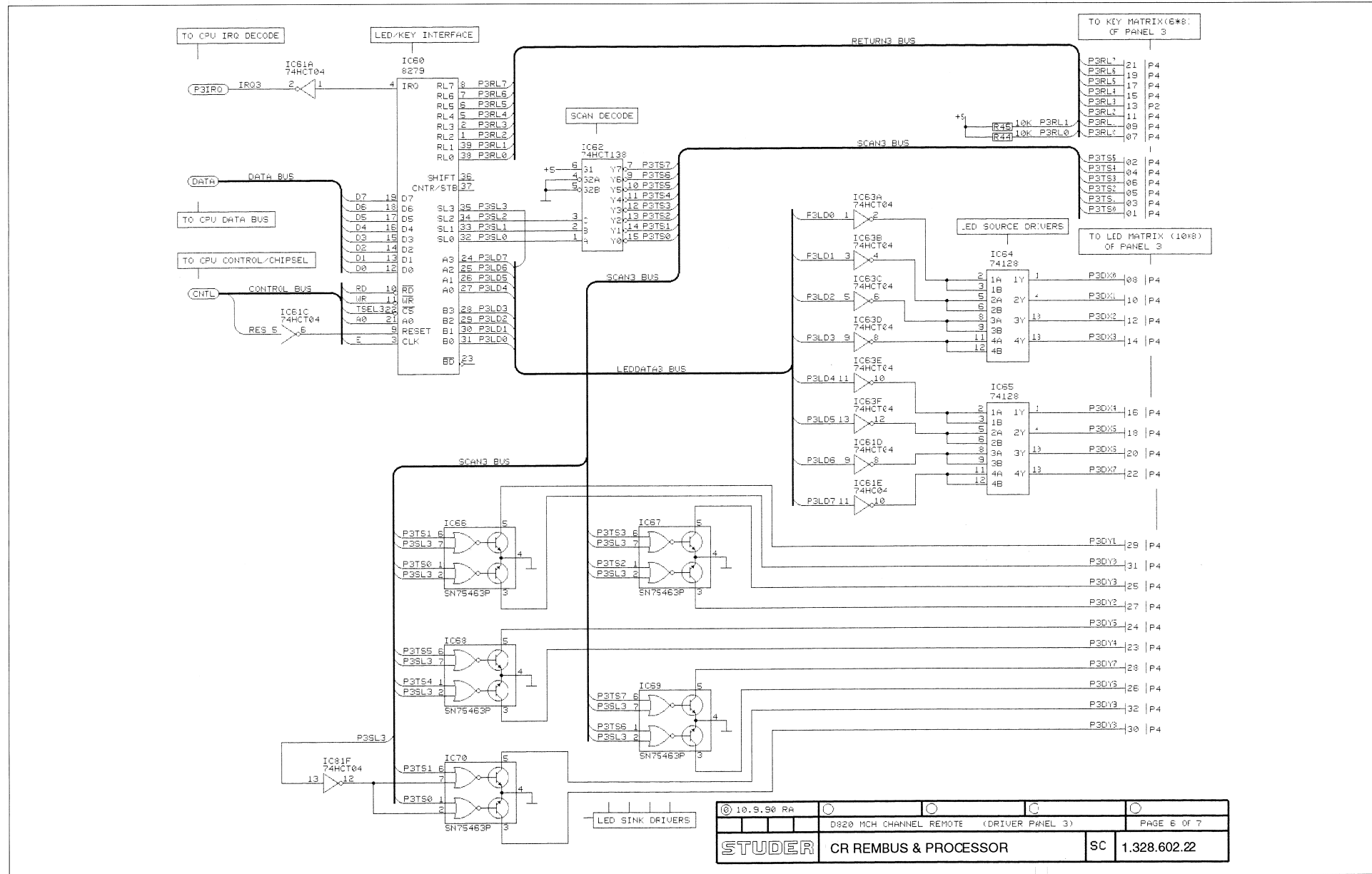
CR REMBUS & PROCESSOR 1.328.602.22  
- Driver Panel 2



© 10.9.90 RA	D820 MCH CHANNEL REMOTE (DRIVER PANEL 2)	PAGE 5 OF 7
<b>STUDER</b>	CR REMBUS & PROCESSOR	SC 1.328.602.22

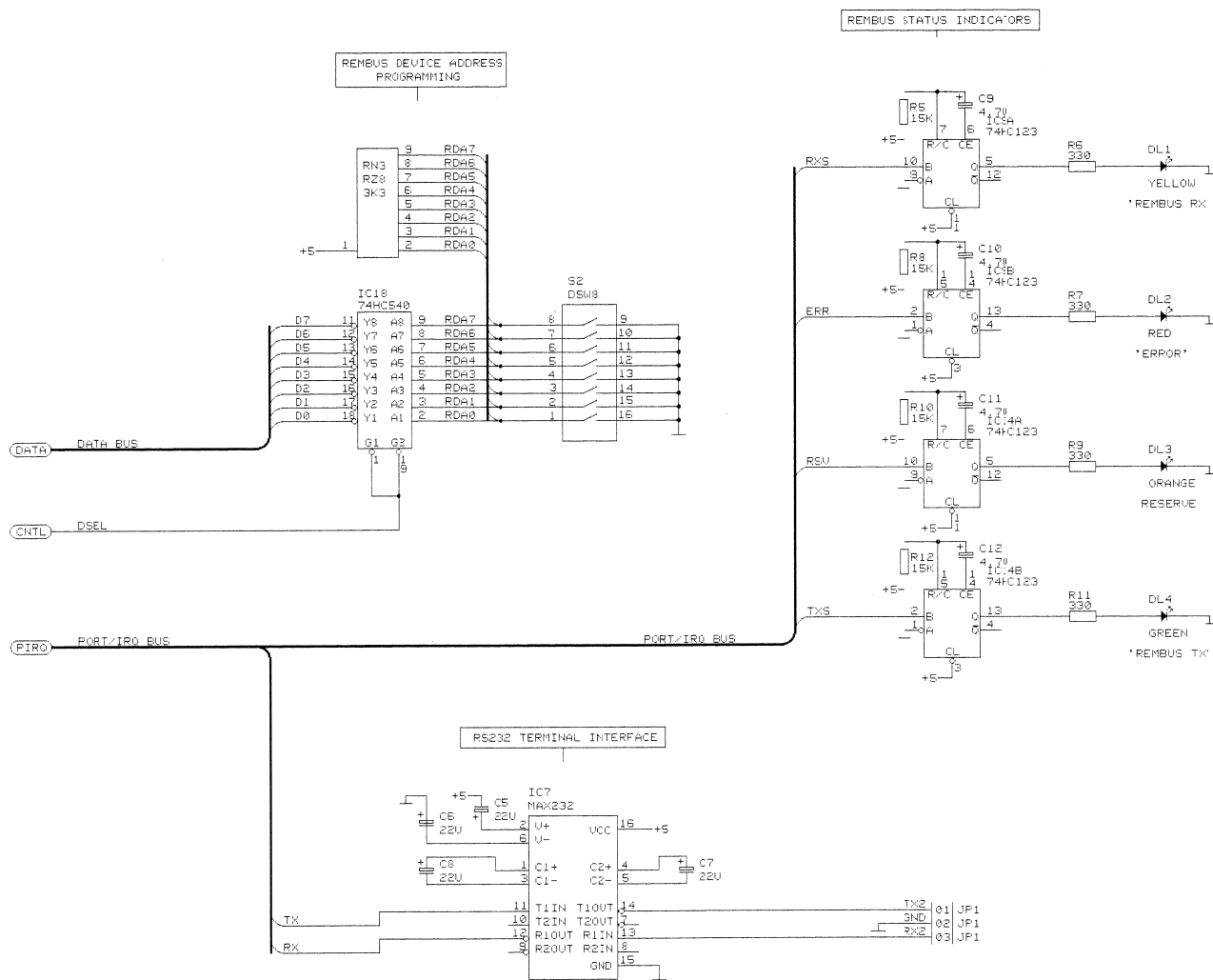
CR REMBUS & PROCESSOR 1.328.602.22

- Driver Panel 3



© 10. S. 90 RA	D820 MCH CHANNEL REMOTE (DRIVER PANEL 3)	PAGE 6 OF 7
<b>STUDER</b>	<b>CR REMBUS &amp; PROCESSOR</b>	<b>SC 1.328.602.22</b>

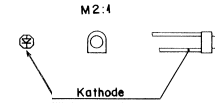
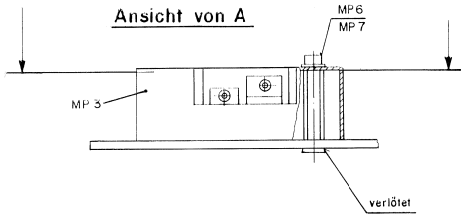
CR REMBUS & PROCESSOR 1.328.602.22  
- Special Functions



© 10.9.90 RA	D820 MCH CHANNEL REMOTE (SPECIAL FUNCTIONS)	PAGE 7 OF 7
<b>STUDER</b>	<b>CR REMBUS &amp; PROCESSOR</b>	SC 1.328.602.22



CR REMBUS & PROCESSOR 1.328.602.22



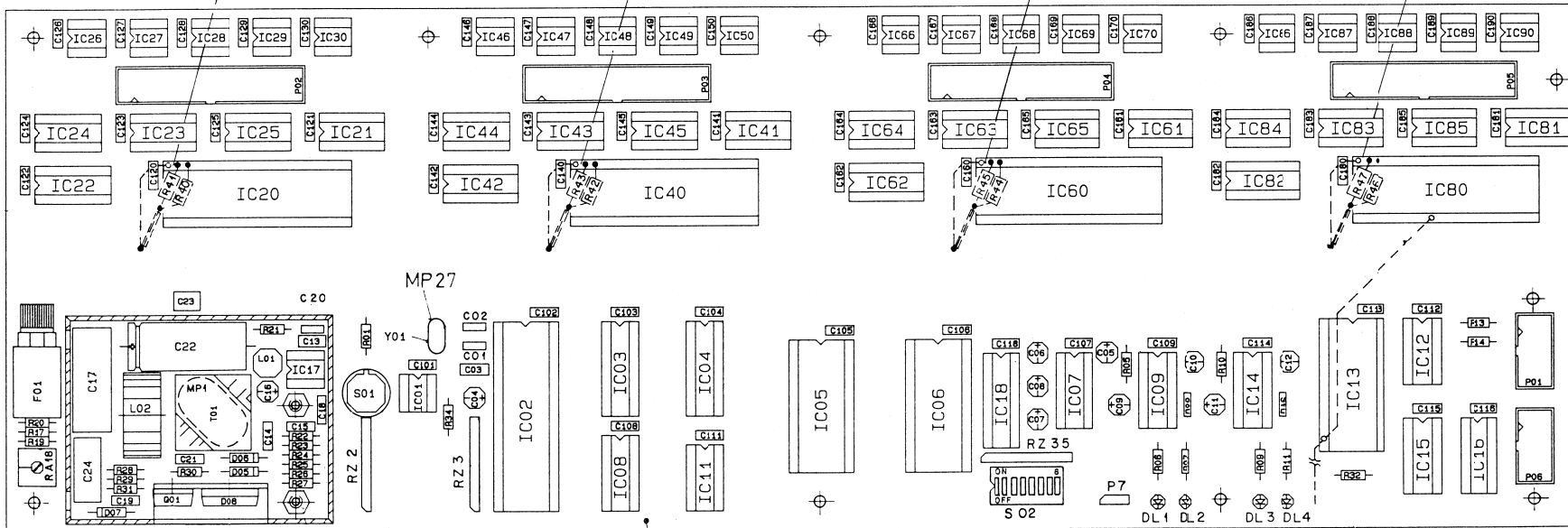
\* auf Lötseite Widerstand einlöten zwischen

- \* IC 20 PIN 38 → +5V (R 40)
- \* IC 20 PIN 39 → +5V (R 41)

- \* IC 40 PIN 38 → +5V (R 42)
- \* IC 40 PIN 39 → +5V (R 43)

- \* IC 60 PIN 38 → +5V (R 44)
- \* IC 60 PIN 39 → +5V (R 45)

- \* IC 80 PIN 38 → +5V (R 46)
- \* IC 80 PIN 39 → +5V (R 47)



Änderung	Änderung				
9.8.90	1/2	1/2	1/2	1/2	1/2
Datum	Gez.	Gez.	Gez.	Gez.	Gez.
Kopie für					

STUDER REGENSDOFF ZÜRICH	CR REMBUS + PROC.,ESE	1.328.602.22
--------------------------------	-----------------------	--------------





CR REMBUS & PROCESSOR 1.328.602.22

Ad	..POS..	..REF.No..	DESCRIPTION.....	MANUFACTURER	Ad	..POS..	..REF.No..	DESCRIPTION.....	MANUFACTURER
C.....1	59.34.1150	15 p	5%, 63V, CER	ANY	F.....1	51.01.0117		T1.0A / 250V, 5*20mm	ANY
C.....2	59.34.1150	15 p	5%, 63V, CER	ANY					
C.....3	59.06.0104	100 n	10%, 63V, PETP	ANY	IC....1	50.11.0122		TL 7705 ACP	ANY
C.....4	59.30.4479	4.7 u	20%, 10V, TA	ANY	IC....2	50.16.0319		HD 63 A 03 RP	ANY
C.....5	59.26.1220	22 u	20%, 10V, ALU	ANY	IC....3	50.17.0573		74 HCT 573	ANY
C.....6	59.26.1220	22 u	20%, 10V, ALU	ANY	IC....4	50.17.0645		74 HCT 645	ANY
C.....7	59.26.1220	22 u	20%, 10V, ALU	ANY	IC....5	50.14.2004		HM 27256 (SW 1.328.899.21)	ANY
C.....8	59.26.1220	22 u	20%, 10V, ALU	ANY	IC....6	50.14.0133		HM 6264 LP-15	ANY
C.....9	59.30.4479	4.7 u	20%, 10V, TA	ANY	IC....7	50.15.0120		MAX 232 CPE	ANY
C.....10	59.30.4479	4.7 u	20%, 10V, TA	ANY	IC....8	50.17.0138		74 HCT 138	ANY
					IC....9	50.17.1123		74 HC 123	ANY
C....11	59.30.4479	4.7 u	20%, 10V, TA	ANY					
C....12	59.30.4479	4.7 u	20%, 10V, TA	ANY	IC...11	50.17.7000		74 ACT 00	ANY
C....13	59.06.0104	100 n	10%, 63V, PETP	ANY	IC...12	50.17.7000		74 ACT 00	ANY
C....14	59.06.0102	1 n	10%, 63V, PETP	ANY	IC...13	50.16.0153		SAB 82520-P	ANY
C....15	59.06.0102	1 n	10%, 63V, PETP	ANY	IC...14	50.17.1123		74 HC 123	ANY
C....16	59.22.4470	47 u	20%, 16V, EL	ANY	IC...15	50.15.0104		MC 3486 P	ANY
C....17	59.02.0685	6.8 u	5%, 63V, MPC	ANY	IC...16	50.15.0121		SN 75174 N	ANY
C....18	59.06.0103	10 n	10%, 63V, PETP	ANY	IC...17	50.10.0113		IP 3843 N	ANY
C....19	59.32.2472	4.7 n	10%, 50V, CER	ANY	IC...18	50.17.1540		74 HC 540	ANY
C....20	59.32.2471	470 p	10%, 50V, CER	ANY	IC...20	50.16.0111		M5L 8279 P-5, IP 8279-5	ANY
C....21	59.32.2472	4.7 n	10%, 50V, CER	ANY	IC...21	50.17.0004		74 HCT 04	ANY
C....22	59.25.3222	2200 u	20%, 16V, EL	ANY	IC...22	50.17.0138		74 HCT 138	ANY
C....23	59.06.0105	1 u	10%, 50V, PETP	ANY	IC...23	50.17.0004		74 HCT 04	ANY
C....24	59.02.0684	680 N	5%, 63V, MPC	ANY	IC...24	50.15.0122		74128	ANY
					IC...25	50.15.0122		74128	ANY
C...101	59.40.0683	68 n	10%, 63V, PETP	ANY	IC...26	50.05.0203		SN 75463P	ANY
C...102	59.40.0683	68 n	10%, 63V, PETP	ANY	IC...27	50.05.0203		SN 75463P	ANY
C...103	59.40.0683	68 n	10%, 63V, PETP	ANY	IC...28	50.05.0203		SN 75463P	ANY
C...104	59.40.0683	68 n	10%, 63V, PETP	ANY	IC...29	50.05.0203		SN 75463P	ANY
C...105	59.40.0683	68 n	10%, 63V, PETP	ANY	IC...30	50.05.0203		SN 75463P	ANY
C...106	59.40.0683	68 n	10%, 63V, PETP	ANY					
C...107	59.40.0683	68 n	10%, 63V, PETP	ANY	IC...40	50.16.0111		M5L 8279 P-5, IP 8279-5	ANY
C...108	59.40.0683	68 n	10%, 63V, PETP	ANY					
C...109	59.40.0683	68 n	10%, 63V, PETP	ANY	IC...41	50.17.0004		74 HCT 04	ANY
					IC...42	50.17.0138		74 HCT 138	ANY
C...111	59.40.0683	68 n	10%, 63V, PETP	ANY	IC...43	50.17.0004		74 HCT 04	ANY
C...112	59.40.0683	68 n	10%, 63V, PETP	ANY	IC...44	50.15.0122		74128	ANY
C...113	59.40.0683	68 n	10%, 63V, PETP	ANY	IC...45	50.15.0122		74128	ANY
C...114	59.40.0683	68 n	10%, 63V, PETP	ANY	IC...46	50.05.0203		SN 75463P	ANY
C...115	59.40.0683	68 n	10%, 63V, PETP	ANY	IC...47	50.05.0203		SN 75463P	ANY
C...116	59.40.0683	68 n	10%, 63V, PETP	ANY	IC...48	50.05.0203		SN 75463P	ANY
C...118	59.40.0683	68 n	10%, 63V, PETP	ANY	IC...49	50.05.0203		SN 75463P	ANY
C...120	59.40.0683	68 n	10%, 63V, PETP	ANY	IC...50	50.05.0203		SN 75463P	ANY
C...121	59.40.0683	68 n	10%, 63V, PETP	ANY	IC...60	50.16.0111		M5L 8279 P-5, IP 8279-5	ANY
C...122	59.40.0683	68 n	10%, 63V, PETP	ANY					
C...123	59.40.0683	68 n	10%, 63V, PETP	ANY	IC...61	50.17.0004		74 HCT 04	ANY
C...124	59.40.0683	68 n	10%, 63V, PETP	ANY	IC...62	50.17.0138		74 HCT 138	ANY
C...125	59.40.0683	68 n	10%, 63V, PETP	ANY	IC...63	50.17.0004		74 HCT 04	ANY
C...126	59.40.0683	68 n	10%, 63V, PETP	ANY	IC...64	50.15.0122		74128	ANY
C...127	59.40.0683	68 n	10%, 63V, PETP	ANY	IC...65	50.15.0122		74128	ANY
C...128	59.40.0683	68 n	10%, 63V, PETP	ANY	IC...66	50.05.0203		SN 75463P	ANY
C...129	59.40.0683	68 n	10%, 63V, PETP	ANY	IC...67	50.05.0203		SN 75463P	ANY
C...130	59.40.0683	68 n	10%, 63V, PETP	ANY	IC...68	50.05.0203		SN 75463P	ANY
					IC...69	50.05.0203		SN 75463P	ANY
C...140	59.40.0683	68 n	10%, 63V, PETP	ANY	IC...70	50.05.0203		SN 75463P	ANY
C...141	59.40.0683	68 n	10%, 63V, PETP	ANY	IC...80	50.16.0111		M5L 8279 P-5, IP 8279-5	ANY
C...142	59.40.0683	68 n	10%, 63V, PETP	ANY					
C...143	59.40.0683	68 n	10%, 63V, PETP	ANY	IC...81	50.17.0004		74 HCT 04	ANY
C...144	59.40.0683	68 n	10%, 63V, PETP	ANY	IC...82	50.17.0138		74 HCT 138	ANY
C...145	59.40.0683	68 n	10%, 63V, PETP	ANY	IC...83	50.17.0004		74 HCT 04	ANY
C...146	59.40.0683	68 n	10%, 63V, PETP	ANY	IC...84	50.15.0122		74128	ANY
C...147	59.40.0683	68 n	10%, 63V, PETP	ANY	IC...85	50.15.0122		74128	ANY
C...148	59.40.0683	68 n	10%, 63V, PETP	ANY	IC...86	50.05.0203		SN 75463P	ANY
C...149	59.40.0683	68 n	10%, 63V, PETP	ANY	IC...87	50.05.0203		SN 75463P	ANY
C...150	59.40.0683	68 n	10%, 63V, PETP	ANY	IC...88	50.05.0203		SN 75463P	ANY
					IC...89	50.05.0203		SN 75463P	ANY
					IC...90	50.05.0203		SN 75463P	ANY
C...161	59.40.0683	68 n	10%, 63V, PETP	ANY	L.....1	62.01.0113	8.2 mH	5%, AXIAL	ANY
C...162	59.40.0683	68 n	10%, 63V, PETP	ANY	L.....2	62.03.0040	100 uH	5A, FILTER	ANY
C...163	59.40.0683	68 n	10%, 63V, PETP	ANY					
C...164	59.40.0683	68 n	10%, 63V, PETP	ANY	MP...1	1.010.002.61		UNTERLAGE ZU SWITCHING TRAF0	ANY
C...165	59.40.0683	68 n	10%, 63V, PETP	ANY	MP...2	1.010.015.50		ISOLIERSCHEIBE T05	ANY
C...166	59.40.0683	68 n	10%, 63V, PETP	ANY	MP...3	1.862.812.02		SCREEN	ST
C...167	59.40.0683	68 n	10%, 63V, PETP	ANY	MP...4	1.010.022.22		NIETMUTTER M3*25	ANY
C...168	59.40.0683	68 n	10%, 63V, PETP	ANY	MP...5	1.010.022.22		NIETMUTTER M3*25	ANY
C...169	59.40.0683	68 n	10%, 63V, PETP	ANY	MP...6	21.53.9354		Z-SCHRAUBE M3*6 MIT SICHERUNGSSCHEIBE	ANY
C...170	59.40.0683	68 n	10%, 63V, PETP	ANY	MP...7	21.53.9354		2-SCHRAUBE M3*6 MIT SICHERUNGSSCHEIBE	ANY
					MP...10	50.20.0305		GLIMMER TO220	ANY
C...180	59.40.0683	68 n	10%, 63V, PETP	ANY					
					MP...11	50.20.0317		GLIMMER TO218	ANY
C...181	59.40.0683	68 n	10%, 63V, PETP	ANY	MP...12	50.20.0404		ISO-DURCHF.	ANY
C...182	59.40.0683	68 n	10%, 63V, PETP	ANY	MP...13	50.20.0404		ISO-DURCHF.	ANY
C...183	59.40.0683	68 n	10%, 63V, PETP	ANY	MP...14	37.01.0101		FEDERSCHLEIBE M3	ANY
C...184	59.40.0683	68 n	10%, 63V, PETP	ANY	MP...15	37.01.0101		FEDERSCHLEIBE M3	ANY
C...185	59.40.0683	68 n	10%, 63V, PETP	ANY	MP...16	37.01.0101		FEDERSCHLEIBE M3	ANY
C...186	59.40.0683	68 n	10%, 63V, PETP	ANY	MP...17	37.01.0101		FEDERSCHLEIBE M3	ANY
C...187	59.40.0683	68 n	10%, 63V, PETP	ANY	MP...18	1.010.098.27		DIST. BOLZEN 2,3MM	ANY
C...188	59.40.0683	68 n	10%, 63V, PETP	ANY	MP...19	1.010.098.27		DIST. BOLZEN 2,3MM	ANY
C...189	59.40.0683	68 n	10%, 63V, PETP	ANY	MP...20	21.53.0356		INNENSECHSKANT M3*10	ANY
C...190	59.40.0683	68 n	10%, 63V, PETP	ANY					
					MP...21	21.53.0356		INNENSECHSKANT M3*10	ANY
DL....1	50.04.2133		LED YEL	ANY	MP...22	1.328.602.11		CR REMBUS + PROC. PCB	ST
DL....2	50.04.2121		LED RED	ANY	MP...23	1.328.602.01		ETIK. PRINT.NR	ST
DL....3	50.04.2133		LED YEL	ANY	MP...24	1.010.115.51		ETIK. SICHERUNG	ST
DL....4	50.04.2132		LED GRN	ANY	MP...25	1.101.001.21		ETIK. HARDWARE 21	ST
					MP...26	43.01.0108		ESE-WARNSCHILD	ANY
D.....5	50.04.0138		BYT 01-400, UF 4004	ANY	MP...27	89.01.1499		QUARZ-UNTERLAGE	ANY
D.....6	50.04.0138		BYT 01-400, UF 4004	ANY					
D.....7	50.04.0138		BYT 01-400, UF 4004	ANY	P.....1	54.14.2001		STECKER 10 P, SN, GERADE	ANY
D.....8	50.04.0520		MBR 3045 PT, BYV 73-45	ANY	P.....2	54.14.2007		STECKER 34 P, SN, GERADE	ANY
					P.....3	54.14.2007		STECKER 34 P, SN, GERADE	ANY



CR REMBUS & PROCESSOR 1.328.602.22

Ad	..POS..	...REF.No...	DESCRIPTION.....	MANUFACTURER
P....4	54.14.2007		STECKER 34 P, SN, GERADE	ANY
P....5	54.14.2007		STECKER 34 P, SN, GERADE	ANY
P....6	54.14.2001		STECKER 10 P, SN, GERADE	ANY
P....7	54.01.0020		STIFTFLEISTE *** QTY 3 ***	ANY
Q....1	50.03.1510		IRF 640	ANY
R....1	57.11.3103	10 k	1%	ANY
R....5	57.11.3153	15 k	1%	ANY
R....6	57.11.3331	330 E	1%	ANY
R....7	57.11.3331	330 E	1%	ANY
R....8	57.11.3153	15 k	1%	ANY
R....9	57.11.3331	330 E	1%	ANY
R....10	57.11.3153	15 k	1%	ANY
R....11	57.11.3331	330 E	1%	ANY
R....12	57.11.3153	15 k	1%	ANY
R....13	57.11.3000	0 E		ANY
R....14	57.11.3000	0 E		ANY
R....17	57.11.3222	2.2 k	1%	ANY
R....19	57.11.3222	2.2 k	1%	ANY
R....20	57.11.3222	2.2 k	1%	ANY
R....21	57.11.3103	10 k	1%	ANY
R....22	57.11.3154	150 k	1%	ANY
R....23	57.11.3182	1.8 k	1%	ANY
R....24	57.11.3273	27 k	1%	ANY
R....25	57.11.3220	22 E	1%	ANY
R....26	57.11.3102	1 k	1%	ANY
R....27	57.11.3223	22 k	1%	ANY
R....28	57.11.3109	1 E	1%	ANY
R....29	57.11.3109	1 E	1%	ANY
R....30	57.11.3220	22 E	1%	ANY
R....31	57.11.3153	15 k	1%	ANY
R....32	57.11.3000	0 E		ANY
R....34	57.11.3103	10 k	1%	ANY
R....40	57.11.3103	10 K	1%	ANY
R....41	57.11.3103	10 K	1%	ANY
R....42	57.11.3103	10 K	1%	ANY
R....43	57.11.3103	10 K	1%	ANY
R....44	57.11.3103	10 K	1%	ANY
R....45	57.11.3103	10 K	1%	ANY
R....46	57.11.3103	10 K	1%	ANY
R....47	57.11.3103	10 K	1%	ANY
RA...18	58.01.8102	1 K	10% TRIMPOT.	ANY
RZ...20	57.99.2002	3.3 k	5%, SIP 10	ANY
RZ...30	57.99.2002	3.3 k	5%, SIP 10	ANY
RZ...35	57.99.2002	3.3 k	5%, SIP 10	ANY
S....1	55.03.0122		TASTE, IMPULS	ANY
S....2	55.01.0168		DIL-SWITCH, 8P	ANY
T....1	1.022.628.00		SWITCHING-TRANSFORMER	St
W....1	1.010.112.64	120 MM	WRAP-DRAHT (VON IC 13/13 NACH IC 80/9)	ST
XF...1	53.03.0118		FUSE-HOLDER, 5*20, LIEGEND	ANY
XIC...2	53.03.0172		IC-SOCKEL, 40P	ANY
XIC...5	53.03.0173		IC-SOCKEL, 28P	ANY
XIC...6	53.03.0173		IC-SOCKEL, 28P	ANY
XIC...13	53.03.0173		IC-SOCKEL, 28P	ANY
XIC...15	53.03.0168		IC-SOCKEL, 16P	ANY
XIC...16	53.03.0168		IC-SOCKEL, 16P	ANY
XIC...20	53.03.0172		IC-SOCKEL, 40P	ANY
XIC...40	53.03.0172		IC-SOCKEL, 40P	ANY
XIC...60	53.03.0172		IC-SOCKEL, 40P	ANY
XIC...80	53.03.0172		IC-SOCKEL, 40P	ANY
Y....1	89.01.0560		QUARZ 4.9152 MHZ	ANY

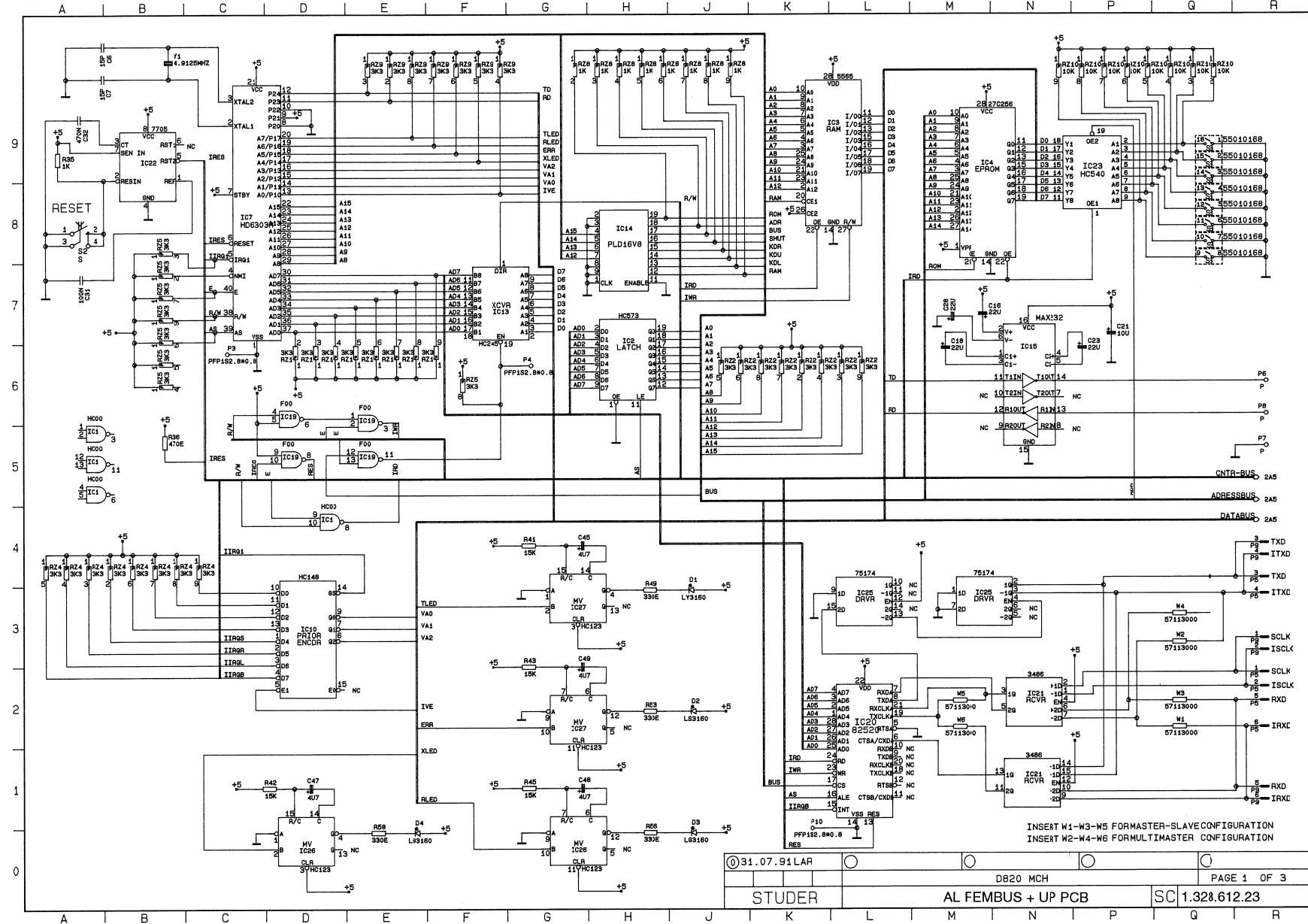
REMARKS:

MANUFACTURERS: St = STUDER / Ph = PHILIPS / So = SONY

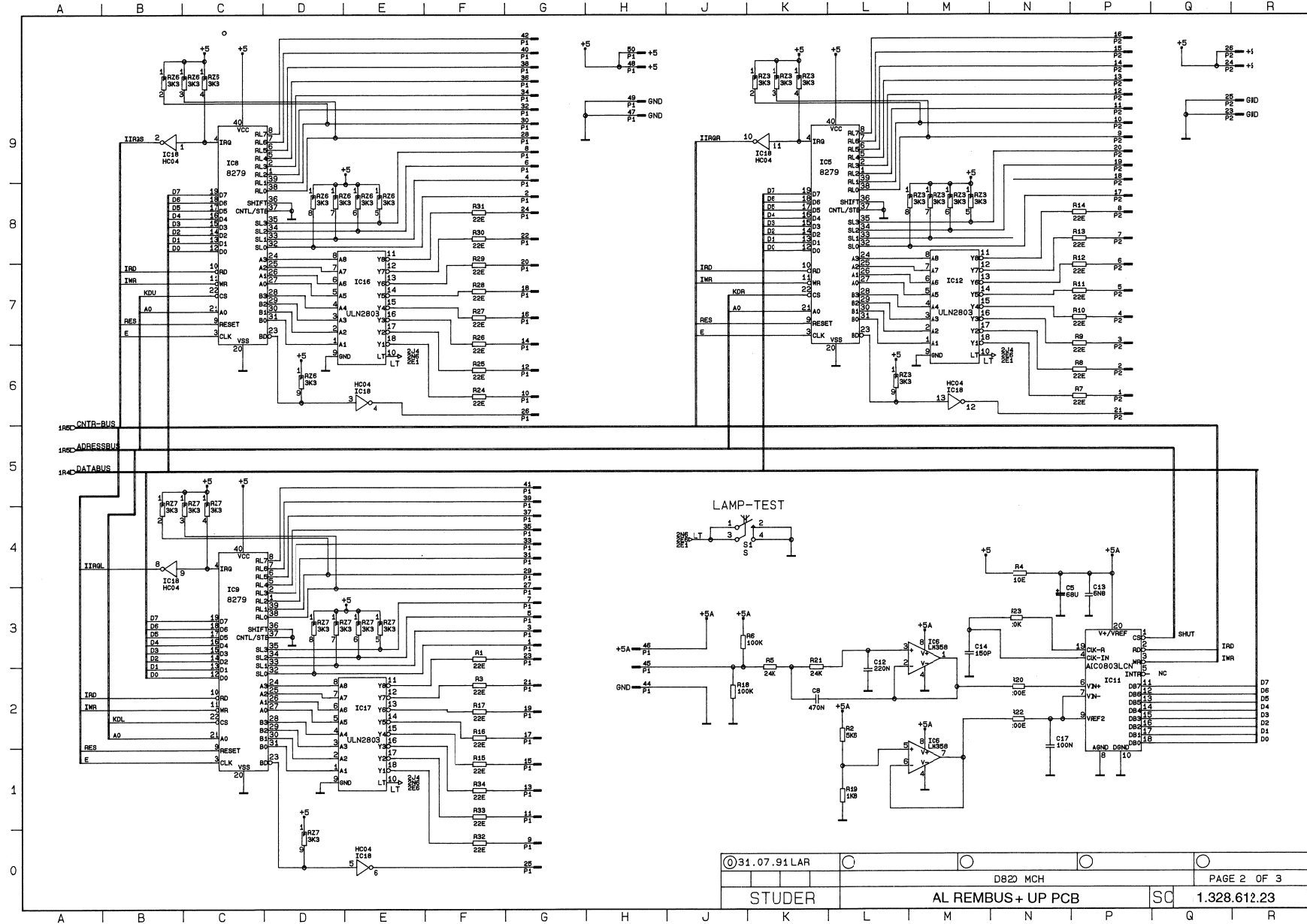
ABBREVIATIONS: CER = CERAMIC / FILM = FILM TYPE / XF = CLAMP FOR FUSES /  
XIC = IC SOCKET

1.328.602.22 CR REMBUS + PROC. , ESE LAR91/02/1500

AL REMBUS + UP PCB 1.328.612.23



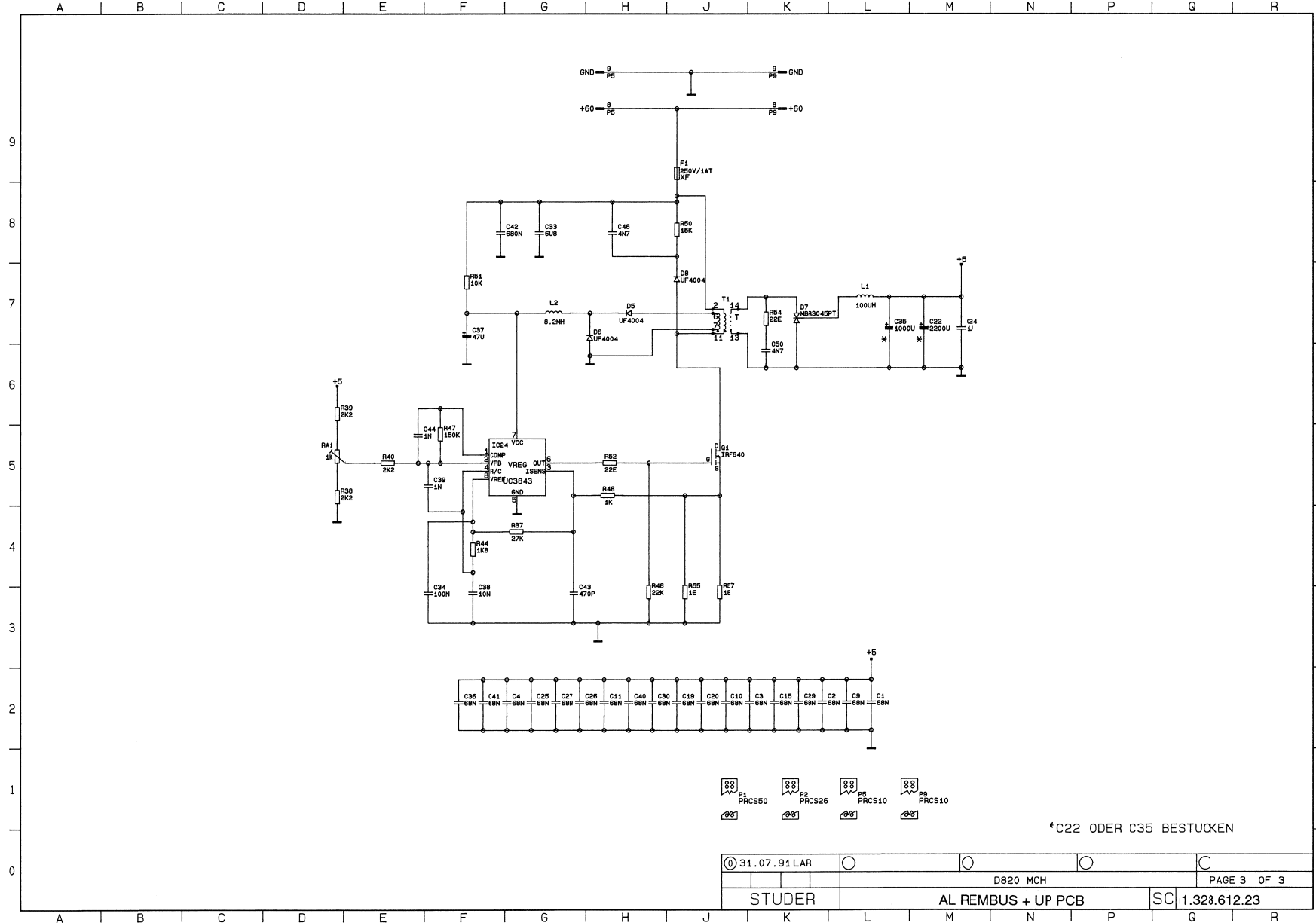
AL REMBUS + UP PCB 1.328.612.23



① 31.07.91 LAR									
STUDER					D820 MCH			PAGE 2 OF 3	
AL REMBUS + UP PCB					SC		1.328.612.23		

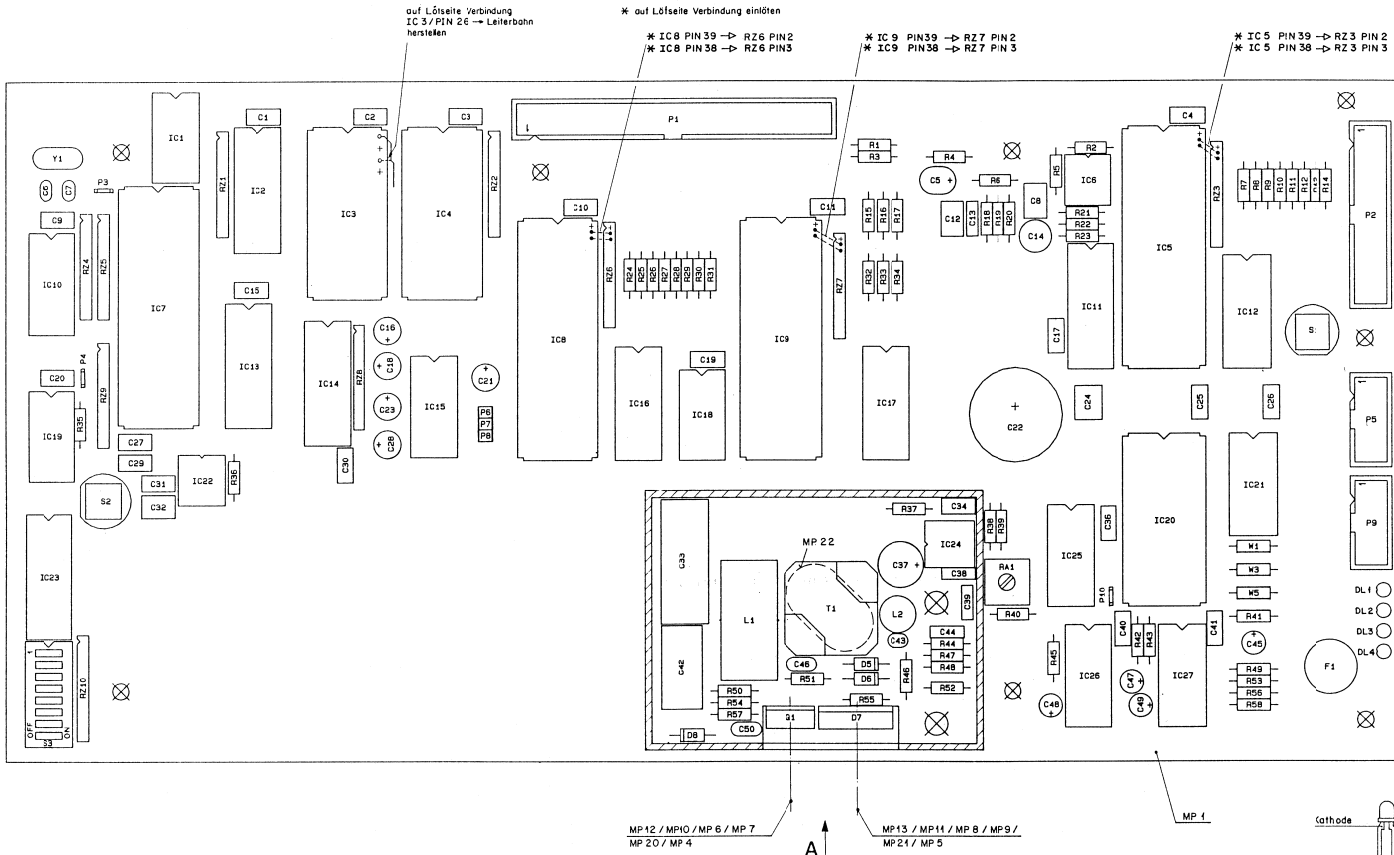


AL REMBUS + UP PCB 1.328.612.23





AL REMBUS + UP PCB 1.328.612.23

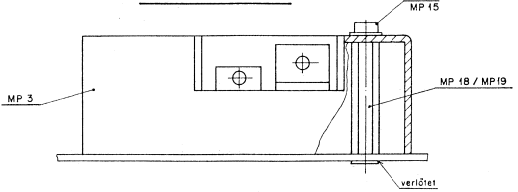


MP 12 / MP 10 / MP 6 / MP 7  
MP 20 / MP 4

MP 13 / MP 14 / MP 8 / MP 9  
MP 24 / MP 5

MP 1

Ansicht von A



IC-Sockel nach PL bestückt.  
z.B. XIC 7 = Sockel von IC

Etiketten MP 2, MP 23, MP 24, MP 25  
aufgeklebt nach Fabrikationsmuster.

Ad	POS.	REF.No.	DESCRIPTION	MANUFACTURER
C....1	9.06.0683	68 n	10%, 63V, PETP	ANY
C....2	9.06.0683	68 n	10%, 63V, PETP	ANY
C....3	9.06.0683	68 n	10%, 63V, PETP	ANY
C....4	9.06.0683	68 n	10%, 63V, PETP	ANY
C....5	9.25.0580	68 u	20%, 6.3V, SAL	ANY
C....6	9.34.1150	15 p	5%, NP 0, CER	ANY
C....7	9.34.1150	15 p	5%, NP 0, CER	ANY
C....8	9.06.0474	47 u	10%, 63V, PETP	ANY
C....9	9.06.0683	68 n	10%, 63V, PETP	ANY
C....10	9.06.0683	68 n	10%, 63V, PETP	ANY
C....11	9.06.0683	68 n	10%, 63V, PETP	ANY
C....12	9.06.0224	22 u	10%, 63V, PETP	ANY
C....13	9.06.0683	68 n	10%, 63V, PETP	ANY
C....14	9.05.2151	150 p	2.5%, 630V, PP	ANY
C....15	9.06.0683	68 n	10%, 63V, PETP	ANY
C....16	9.22.5220	22 u	-20%, 25V, EL	ANY
C....17	9.06.0104	1 u	10%, 63V, PETP	ANY
C....18	9.22.5220	22 u	-20%, 25V, EL	ANY
C....19	9.06.0683	68 n	10%, 63V, PETP	ANY
C....20	9.06.0683	68 n	10%, 63V, PETP	ANY
C....21	9.22.6100	10 u	-20%, 35V, EL	ANY
C....22	9.22.2222	2200 u	20%, 16V, EL	ANY
C....23	9.22.5220	22 u	-20%, 25V, EL	ANY
C....24	9.06.0105	1.0 u	10%, 50V, PETP	ANY
C....25	9.06.0683	68 n	10%, 63V, PETP	ANY
C....26	9.06.0683	68 n	10%, 63V, PETP	ANY
C....27	9.06.0683	68 n	10%, 63V, PETP	ANY
C....28	9.22.5220	22 u	-20%, 25V, EL	ANY
C....29	9.06.0683	68 n	10%, 63V, PETP	ANY
C....30	9.06.0683	68 n	10%, 63V, PETP	ANY
C....31	9.06.0104	1 u	10%, 63V, PETP	ANY
C....32	9.06.0474	47 u	10%, 63V, PETP	ANY
C....33	9.02.0585	6.8 u	5%, 63V, MPC	ANY
C....34	9.06.0104	1 u	10%, 63V, PETP	ANY
C....35	9.06.0683	68 n	10%, 63V, PETP	ANY
C....36	9.30.4470	47 u	20%, 16V, TA	ANY
C....37	9.30.4470	47 u	20%, 16V, TA	ANY
C....38	9.06.0103	.01 u	10%, 63V, PETP	ANY
C....39	9.06.0102	1000 p	10%, 63V, PETP	ANY
C....40	9.06.0683	68 n	10%, 63V, PETP	ANY
C....41	9.06.0683	68 n	10%, 63V, PETP	ANY
C....42	9.02.2684	.68 u	5%, 100V, MPC	ANY
C....43	9.32.2471	170 p	10%, 50V, CER	ANY
C....44	9.06.0102	1000 p	10%, 63V, PETP	ANY
C....45	9.30.3479	4.7 u	20%, 10V, TA	ANY
C....46	9.32.2472	4700 p	10%, 50V, CER	ANY
C....47	9.30.3479	4.7 u	20%, 10V, TA	ANY
C....48	9.30.3479	4.7 u	20%, 10V, TA	ANY
C....49	9.30.3479	4.7 u	20%, 10V, TA	ANY
C....50	9.32.2472	4700 p	10%, 50V, CER	ANY
DL....1	9.04.2130	LY 3360	GB DIFF	ANY
DL....2	9.04.2129	LS 3360	RT DIFF	ANY
DL....3	9.04.2131	LG 3360	GN DIFF	ANY
DL....4	9.04.2131	LG 3360	GN DIFF	ANY
D....5	9.04.0138	BYT 01-400	UF 404	ANY
D....6	9.04.0138	BYT 01-400	UF 404	ANY
D....7	9.04.0520	MSR 9045 PI	BYV 73-45	ANY
D....8	9.04.0138	BYT 01-400	UF 404	ANY
I....1	9.01.0117	T1.04/250V	5 * 20	ANY
IC....1	9.17.1000	74 HC 00		ANY
IC....2	9.17.1573	74 HC 573		ANY
IC....3	9.14.0133	HM 6264LP-15		ANY
IC....4	9.14.2004	HN 27 C256 G-25	6W 1.328.898.22)	ANY
IC....5	9.16.0111	IP 8279-5	MSL 8279 P-5	ANY
IC....6	9.05.0286	LM 358 N	LM 358 P	ANY
IC....7	9.16.0119	HO 63 B 03 RP		ANY
IC....8	9.16.0111	IP 8279-5	MSL 8279 P-5	ANY
IC....9	9.16.0111	IP 8279-5	MSL 8279 P-5	ANY
IC....10	9.17.1148	74 HC 148		ANY
IC....11	9.07.0029	ADC 0803 LCN		ANY
IC....12	9.15.0119	ULN - 2803		ANY
IC....13	9.17.1545	74 HC 245		ANY
IC....14	9.16.0100	16 V 8 - 25 LP	6W 1.328.897.20)	ANY
IC....15	9.15.0120	MAX 232 CPE		ANY
IC....16	9.15.0119	ULN - 2803		ANY
IC....17	9.15.0119	ULN - 2803		ANY
IC....18	9.17.1004	74 HC 04		ANY
IC....19	9.21.0000	74 F 00		ANY
IC....20	9.16.0153	SAB 82520-P		ANY
IC....21	9.15.0104	MC 3486 P DS 3486		ANY
IC....22	9.11.0122	TI 7705 ACI		ANY
IC....23	9.17.1540	74 HC 540		ANY
IC....24	9.10.0113	IP 3843 N		ANY
IC....25	9.15.0121	SN 75174 N		ANY
IC....26	9.17.1123	74 HC 123		ANY
IC....27	9.17.1123	74 HC 123		ANY
L....1	6.03.0040	100 ul	5A, FILTER	ANY
L....2	6.02.1822	8.2 ml	5A, FILTER	ANY
MP....1	1.38.612.11		AL CPU-PCB	ST
MP....2	1.38.612.01		NR.-ETIKETTE 5*20	ST
MP....3	1.82.612.02		ABSCHIRMHAUBE	ST
MP....4	2.53.0356		Z - SCHR. IS, ZN, M 3 * 10	ANY
MP....5	2.53.0356		Z - SCHR. IS, ZN, M 3 * 10	ANY
MP....6	3'01.0101		TELLERFEDER D 3.2 / 8 * 0.3	ANY
MP....7	3'01.0101		TELLERFEDER D 3.2 / 8 * 0.3	ANY

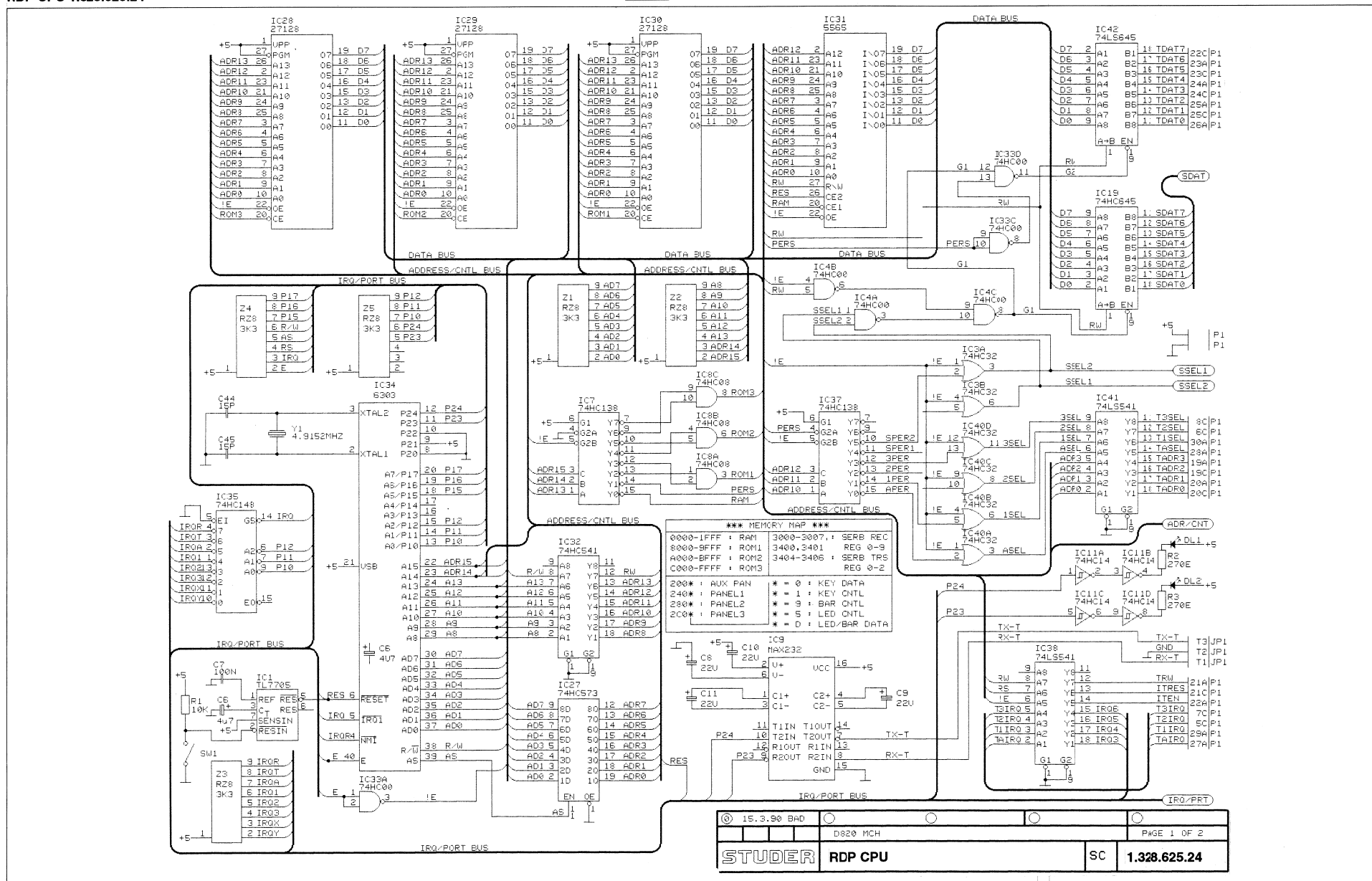
STUDER REGENSDORF ZÜRICH	AL REMBUS + PROC., ESE	1.328.612-23
--------------------------------	------------------------	--------------



AL REMBUS + UP PCB 1.328.612.23

Ad	POS	REF.No.	DESCRIPTION	MANUFACTURER	Ad	POS	REF.No.	DESCRIPTION	MANUFACTURER		
MP	...	8	37.01.0101	TELLERFEDER D 3.2/ 8 * 0.3	ANY	RZ	...	9	57.88.4332	8 * 3.3 K, 2%, SIP 9	ANY
MP	...	9	37.01.0101	TELLERFEDER D 3.2/ 8 * 0.3	ANY	RZ	...	10	57.88.4102	8 * 1 K, 2%, SIP 9	ANY
MP	...	10	50.20.0404	ISOLIERDURCHFUEHRUNG D 6.0/3.5	ANY	S	....	1	55.15.0130	1 TASTE 1*A, IMPULS GR	ANY
MP	...	11	50.20.0404	ISOLIERDURCHFUEHRUNG D 6.0/3.5	ANY	S	....	2	55.15.0130	1 TASTE 1*A, IMPULS GR	ANY
MP	...	12	90.20.0305	TO 220 GLIMMERSCHEIBE GEFETTEL	ANY	S	....	3	55.01.0168	8*A, DIL SWITCH	ANY
MP	...	13	50.20.0317	TO 218 GLIMMERSCHEIBE GEFETTEL	ANY	T	....	1	1.022.628.00	SWITCHING TRANSFORMER	ST
MP	...	14	21.53.9354	Z-SCHRAUBE IS, M 3 * 6 m. Sich'scheibe	ANY	W	....	1	57.11.3000	0 E 0207, MF	ANY
MP	...	15	21.53.9354	Z-SCHRAUBE IS, M 3 * 6 m. Sich'scheibe	ANY	W	....	3	57.11.3000	0 E 0207, MF	ANY
MP	...	18	1.010.022.22	NIETMUTTER M3*25	ANY	W	....	5	57.11.3000	0 E 0207, MF	ANY
MP	...	19	1.010.022.22	NIETMUTTER M3*25	ANY	W	....	7	64.01.0104	DRAHT FUER KORREKTUR	ANY
MP	...	20	1.010.098.27	DIST.-BOLZEN 2.3mm	ANY	XF	...	1	53.03.0116	5 * 20 PRINT-STEHEHD	ANY
MP	...	21	1.010.098.27	DIST.-BOLZEN 2.3mm	ANY	XIC	...	3	53.03.0173	DIL 28-POL	ANY
MP	...	22	1.010.002.61	UNTERLAGE ZU TRAF0	ANY	XIC	...	4	53.03.0173	DIL 28-POL	ANY
MP	...	23	1.010.115.51	ETIKETTE SICHERUNG	ST	XIC	...	5	53.03.0172	DIL 40-POL	ANY
MP	...	24	1.101.001.21	ETIKETTE HARDWARE 21	ANY	XIC	...	7	53.03.0172	DIL 40-POL	ANY
MP	...	25	43.01.0108	ESE-WARNSCHILD	ANY	XIC	...	8	53.03.0172	DIL 40-POL	ANY
MP	...	26	89.01.1499	QUARZ-UNTERLAGE	ANY	XIC	...	9	53.03.0172	DIL 40-POL	ANY
P	....	1	54.14.2005	STECKER 50 P, SN, GERADE	ANY	XIC	...	14	53.03.0165	DIL 20-POL	ANY
P	....	2	54.14.2003	STECKER 26 P, SN, GERADE	ANY	XIC	...	20	53.03.0173	DIL 28-POL	ANY
P	....	3	54.02.0320	FLACH 2.8*0.8, GERADE	ANY	XIC	...	21	53.03.0168	DIL 16-POL	ANY
P	....	4	54.02.0320	FLACH 2.8*0.8, GERADE	ANY	XIC	...	25	53.03.0168	DIL 16-POL	ANY
P	....	5	54.14.2001	STECKER 10 P, SN, GERADE	ANY	Y	....	1	89.01.0560	4.9152 MHZ	ANY
P	....	6	54.01.0020	STIFT .63* .63 H=11.3	ANY	REMARKS:					
P	....	7	54.01.0020	STIFT .63* .63 H=11.3	ANY	MANUFACTURERS: St = STUDER / Ph = PHILIPS / So = SONY					
P	....	8	54.01.0020	STIFT .63* .63 H=11.3	ANY	ABBREVIATIONS: CER = CERAMIC / FILM = FILM TYPE / XF = CLAMP FOR FUSES / XIC = IC SOCKET					
P	....	9	54.14.2001	STECKER 10 P, SN, GERADE	ANY	1.328.612.23 AL REMBUS + PROC. , ESE LAR93/07/1900					
P	....	10	54.02.0320	FLACH 2.8*0.8, GERADE	ANY						
Q	....	1	50.03.1510	IRF 640	ANY						
R	....	1	57.11.3220	22 E 1%, 0207, MF	ANY						
R	....	2	57.11.3562	5.6 k 1%, 0207, MF	ANY						
R	....	3	57.11.3220	22 E 1%, 0207, MF	ANY						
R	....	4	57.11.3100	10 E 1%, 0207, MF	ANY						
R	....	5	57.11.3243	24 k 1%, 0207, MF	ANY						
R	....	6	57.11.3104	100 k 1%, 0207, MF	ANY						
R	....	7	57.11.3220	22 E 1%, 0207, MF	ANY						
R	....	8	57.11.3220	22 E 1%, 0207, MF	ANY						
R	....	9	57.11.3220	22 E 1%, 0207, MF	ANY						
R	....	10	57.11.3220	22 E 1%, 0207, MF	ANY						
R	....	11	57.11.3220	22 E 1%, 0207, MF	ANY						
R	....	12	57.11.3220	22 E 1%, 0207, MF	ANY						
R	....	13	57.11.3220	22 E 1%, 0207, MF	ANY						
R	....	14	57.11.3220	22 E 1%, 0207, MF	ANY						
R	....	15	57.11.3220	22 E 1%, 0207, MF	ANY						
R	....	16	57.11.3220	22 E 1%, 0207, MF	ANY						
R	....	17	57.11.3220	22 E 1%, 0207, MF	ANY						
R	....	18	57.11.3104	100 k 1%, 0207, MF	ANY						
R	....	19	57.11.3182	1.8 k 1%, 0207, MF	ANY						
R	....	20	57.11.3101	100 E 1%, 0207, MF	ANY						
R	....	21	57.11.3243	24 k 1%, 0207, MF	ANY						
R	....	22	57.11.3101	100 E 1%, 0207, MF	ANY						
R	....	23	57.11.3103	10 k 1%, 0207, MF	ANY						
R	....	24	57.11.3220	22 E 1%, 0207, MF	ANY						
R	....	25	57.11.3220	22 E 1%, 0207, MF	ANY						
R	....	26	57.11.3220	22 E 1%, 0207, MF	ANY						
R	....	27	57.11.3220	22 E 1%, 0207, MF	ANY						
R	....	28	57.11.3220	22 E 1%, 0207, MF	ANY						
R	....	29	57.11.3220	22 E 1%, 0207, MF	ANY						
R	....	30	57.11.3220	22 E 1%, 0207, MF	ANY						
R	....	31	57.11.3220	22 E 1%, 0207, MF	ANY						
R	....	32	57.11.3220	22 E 1%, 0207, MF	ANY						
R	....	33	57.11.3220	22 E 1%, 0207, MF	ANY						
R	....	34	57.11.3220	22 E 1%, 0207, MF	ANY						
R	....	35	57.11.3102	1 k 1%, 0207, MF	ANY						
R	....	36	57.11.3471	470 E 1%, 0207, MF	ANY						
R	....	37	57.11.3273	27 k 1%, 0207, MF	ANY						
R	....	38	57.11.3222	2.2 k 1%, 0207, MF	ANY						
R	....	39	57.11.3222	2.2 k 1%, 0207, MF	ANY						
R	....	40	57.11.3222	2.2 k 1%, 0207, MF	ANY						
R	....	41	57.11.3153	15 k 1%, 0207, MF	ANY						
R	....	42	57.11.3153	15 k 1%, 0207, MF	ANY						
R	....	43	57.11.3153	15 k 1%, 0207, MF	ANY						
R	....	44	57.11.3182	1.8 k 1%, 0207, MF	ANY						
R	....	45	57.11.3153	15 k 1%, 0207, MF	ANY						
R	....	46	57.11.3223	22 k 1%, 0207, MF	ANY						
R	....	47	57.11.3154	150 k 1%, 0207, MF	ANY						
R	....	48	57.11.3102	1 k 1%, 0207, MF	ANY						
R	....	49	57.11.3331	330 E 1%, 0207, MF	ANY						
R	....	50	57.11.3153	15 k 1%, 0207, MF	ANY						
R	....	51	57.11.3103	10 k 1%, 0207, MF	ANY						
R	....	52	57.11.3220	22 E 1%, 0207, MF	ANY						
R	....	53	57.11.3331	330 E 1%, 0207, MF	ANY						
R	....	54	57.11.3220	22 E 1%, 0207, MF	ANY						
R	....	55	57.11.3109	1.0 E 1%, 0207, MF	ANY						
R	....	56	57.11.3331	330 E 1%, 0207, MF	ANY						
R	....	57	57.11.3109	1.0 E 1%, 0207, MF	ANY						
R	....	58	57.11.3331	330 E 1%, 0207, MF	ANY						
RA	...	1	58.01.8102	1 k 10%, 5 W, PMG	ANY						
RZ	...	1	57.88.4332	8 * 3.3 K, 2%, SIP 9	ANY						
RZ	...	2	57.88.4332	8 * 3.3 K, 2%, SIP 9	ANY						
RZ	...	3	57.88.4332	8 * 3.3 K, 2%, SIP 9	ANY						
RZ	...	4	57.88.4332	8 * 3.3 K, 2%, SIP 9	ANY						
RZ	...	5	57.88.4332	8 * 3.3 K, 2%, SIP 9	ANY						
RZ	...	6	57.88.4332	8 * 3.3 K, 2%, SIP 9	ANY						
RZ	...	7	57.88.4332	8 * 3.3 K, 2%, SIP 9	ANY						
RZ	...	8	57.88.4102	8 * 1 K, 2%, SIP 9	ANY						

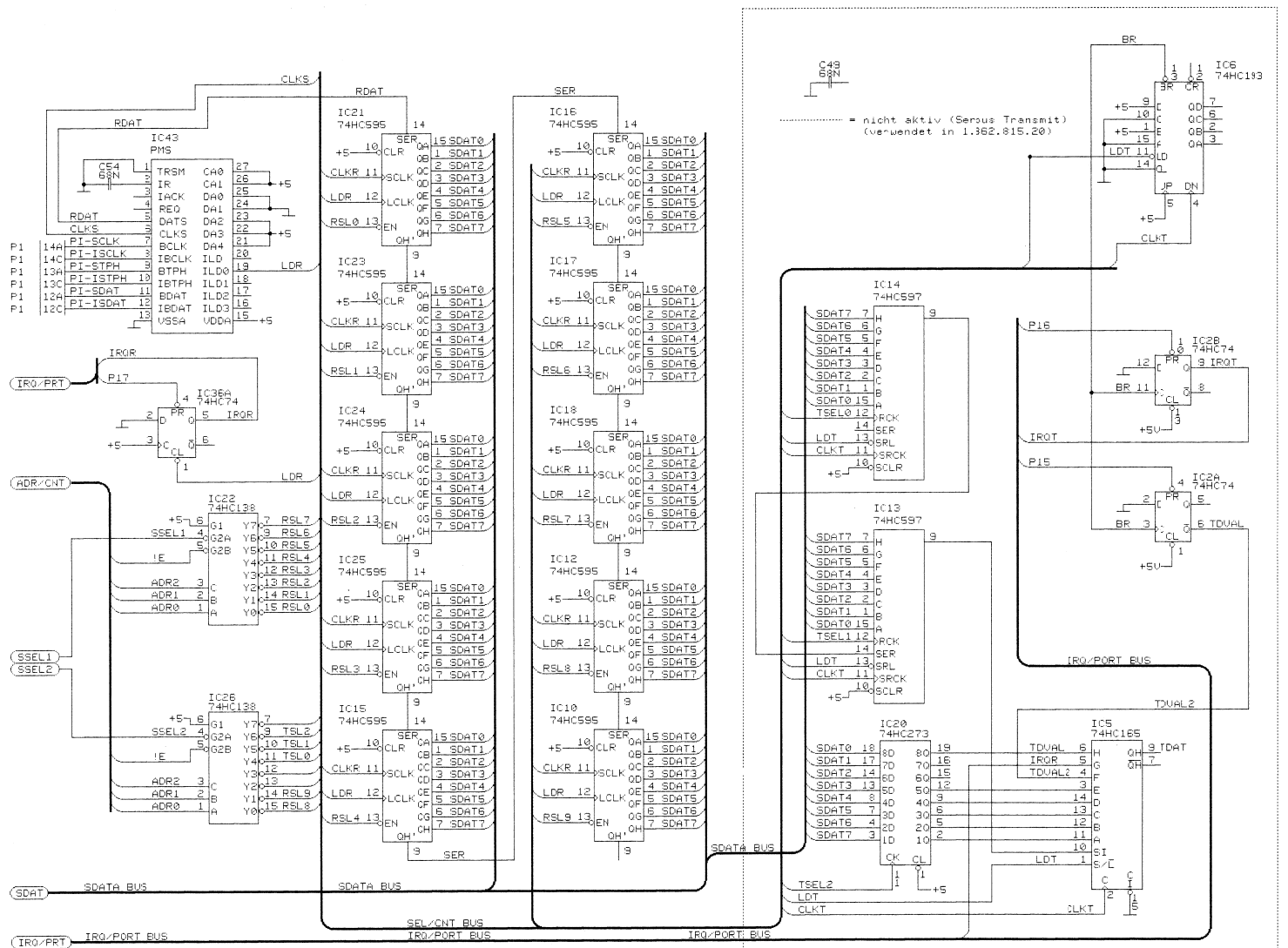
RDP CPU 1.328.625.24







RDP CPU 1.328.625.24

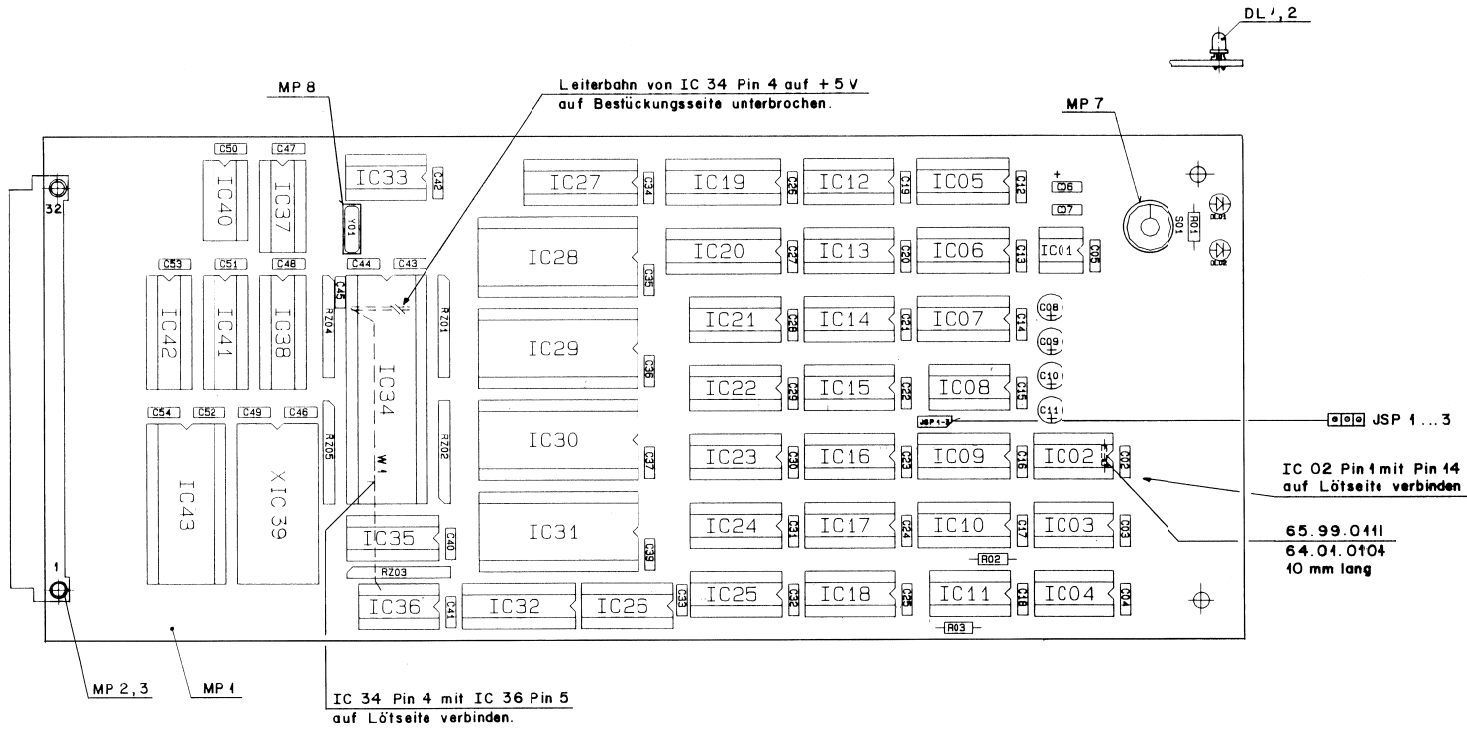


..... = nicht aktiv (Serius Transmit)  
(verwendet in 1.362.815.20)

© 15.3.90 BAD	D820 MCH	PAGE 2 OF 2
<b>STUDER RDP CPU</b>		<b>SC 1.328.625.24</b>



RDP CPU 1.328.625.24



IC-Sockel nach FL bestückt  
z. B. XIC 28 = Sockel von IC 28

Änderung				
Angabe	15.6.90	J/R	P	
Datum	Gez	Gepr	Gez	Index

STUDER REGENSDORF ZÜRICH	Bezeichnung RDP MICROPROCESSOR ESE	Nummer 1.328.625.24
--------------------------------	--	------------------------

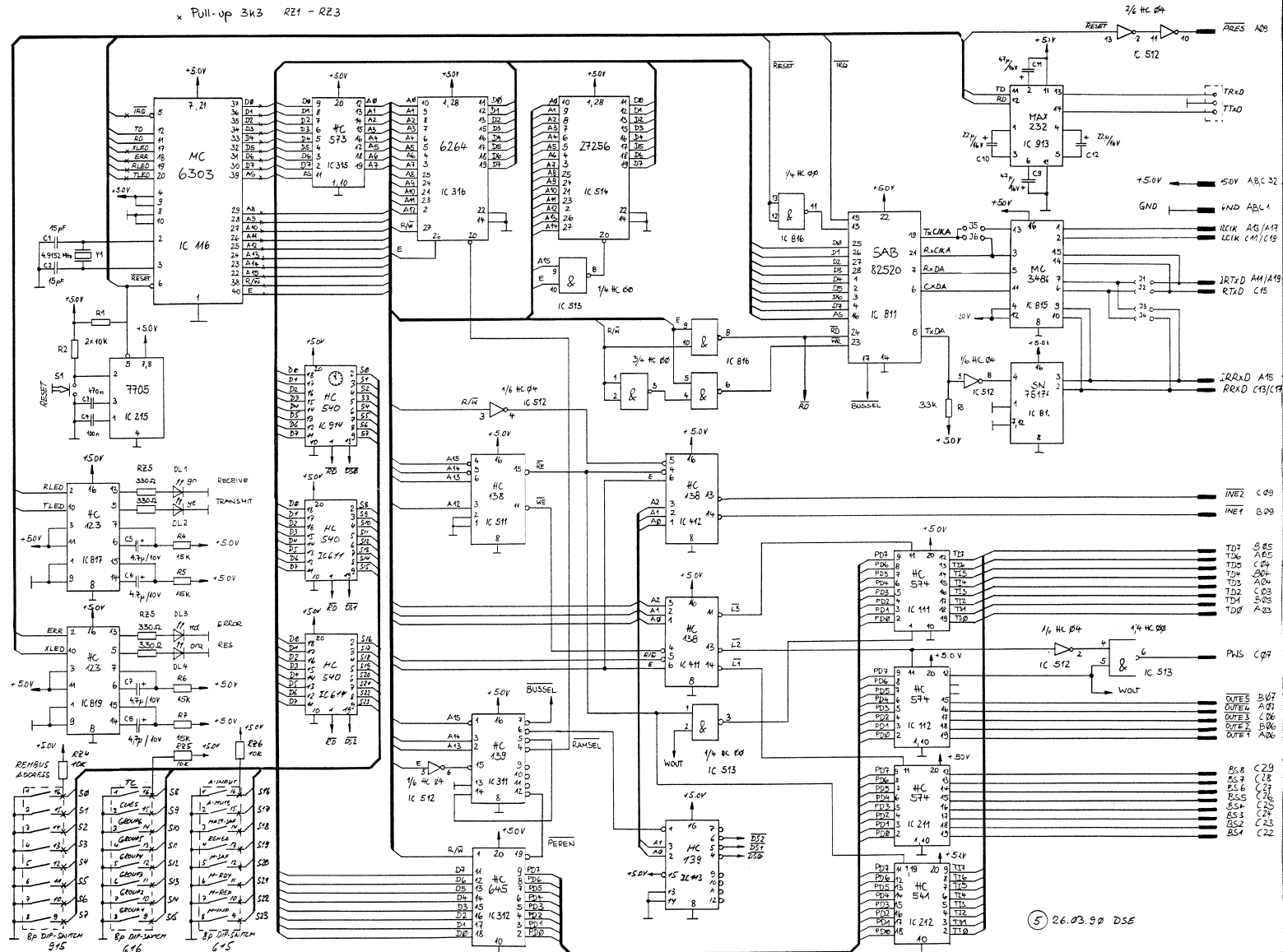


RDP CPU 1.328.625.24

Ad	.POS.	REF.No.	DESCRIPTION	MANUFACTURER	Ad	.POS.	REF.No.	DESCRIPTION	MANUFACTURER
C....2	59.06.0683	68nF	10k, 63V	ANY	JSP...1	54.11.0126	JUMPER CONNECTOR	ANY	
C....3	59.06.0683	68nF	10k, 63V	ANY	JSP...2	54.11.0126	JUMPER CONNECTOR	ANY	
C....4	59.06.0683	68nF	10k, 63V	ANY	JSP...3	54.11.0126	JUMPER CONNECTOR	ANY	
C....5	59.06.0683	68nF	10k, 63V	ANY	MP...1	1.862.815.11	PCB	ST	
C....5	59.26.1479	4,7uF	20k, 10V	ANY	MP...2	28.99.0119	RIVETING NUT, D2.5 * 10	ANY	
C....7	59.06.0194	100nF	10k, 63V	ANY	MP...3	28.99.0119	RIVETING NUT, D2.5 * 10	ANY	
C....3	59.26.1220	22uF	20k, 10V	ANY	MP...4	43.01.0108	ESE - MATRICH16	ANY	
C....7	59.26.1220	22uF	20k, 10V	ANY	MP...5	1.328.625.01	ETIK. PRINT.NR.	ST	
C....10	59.26.1220	22uF	20k, 10V	ANY	MP...6	1.101.001.20	ETIK. HARWARE -20	ST	
C....11	59.26.1220	22uF	20k, 10V	ANY	MP...7	1.010.015.30	ISOLIERSCH. QUARZ	ST	
C....12	59.06.0683	68nF	10k, 63V	ANY	MP...8	89.01.1499	ISOLIERSCH. QUARZ	ST	
C....13	59.06.0683	68nF	10k, 63V	ANY	P.....1	54.01.0358	CONNECTOR 3 * 32	ANY	
C....14	59.06.0683	68nF	10k, 63V	ANY	R....1	57.11.3103	10 k 1%	ANY	
C....15	59.06.0683	68nF	10k, 63V	ANY	R....2	57.11.3271	270 E 1%	ANY	
C....15	59.06.0683	68nF	10k, 63V	ANY	R....3	57.11.3271	270 E 1%	ANY	
C....17	59.06.0683	68nF	10k, 63V	ANY	RZ...1	57.88.4332	3.3 k 8*	ANY	
C....18	59.06.0683	68nF	10k, 63V	ANY	RZ...2	57.88.4332	3.3 k 8*	ANY	
C....19	59.06.0683	68nF	10k, 63V	ANY	RZ...3	57.88.4332	3.3 k 8*	ANY	
C....20	59.06.0683	68nF	10k, 63V	ANY	RZ...4	57.88.4332	3.3 k 8*	ANY	
C....21	59.06.0683	68nF	10k, 63V	ANY	RZ...5	57.88.4332	3.3 k 8*	ANY	
C....22	59.06.0683	68nF	10k, 63V	ANY	S.....1	55.03.0122	KEY	ANY	
C....23	59.06.0683	68nF	10k, 63V	ANY	W.....1	1.010.012.64	WRAF-DRAHT 120 MM	ST	
C....24	59.06.0683	68nF	10k, 63V	ANY	XIC..28	53.03.0173	DIL 28-POL	ANY	
C....25	59.06.0683	68nF	10k, 63V	ANY	XIC..29	53.03.0173	DIL 28-POL	ANY	
C....26	59.06.0683	68nF	10k, 63V	ANY	XIC..30	53.03.0173	DIL 28-POL	ANY	
C....27	59.06.0683	68nF	10k, 63V	ANY	XIC..34	53.03.0172	DIL 40-POL	ANY	
C....28	59.06.0683	68nF	10k, 63V	ANY	XIC..39	53.03.0173	DIL 28-POL	ANY	
C....29	59.06.0683	68nF	10k, 63V	ANY	XIC..43	53.03.0173	DIL 28-POL	ANY	
C....30	59.06.0683	68nF	10k, 63V	ANY	Y....1	89.01.0560	4.9152 MHZ	ANY	
C....31	59.06.0683	68nF	10k, 63V	ANY	MANUFACTURERS: ST = STUDER, Ph = PHILIPS				
C....32	59.06.0683	68nF	10k, 63V	ANY	ABBREVIATIONS: CER = CERAMIC / FILM = FILM TYPE / XF = CLAMP FOR FUSES /				
C....33	59.06.0683	68nF	10k, 63V	ANY	XIC = IC SOCKET				
C....34	59.06.0683	68nF	10k, 63V	ANY	1. 328.625.24 RDP MICROPROCESSOR, ESE ML 94/03/1500				
C....35	59.06.0683	68nF	10k, 63V	ANY	END				
C....36	59.06.0683	68nF	10k, 63V	ANY					
C....37	59.06.0683	68nF	10k, 63V	ANY					
C....38	59.06.0683	68nF	10k, 63V	ANY					
C....39	59.06.0683	68nF	10k, 63V	ANY					
C....40	59.06.0683	68nF	10k, 63V	ANY					
C....41	59.06.0683	68nF	10k, 63V	ANY					
C....42	59.06.0683	68nF	10k, 63V	ANY					
C....43	59.06.0683	68nF	10k, 63V	ANY					
C....44	59.34.2220	22pF	5k, 63V	ANY					
C....45	59.34.2220	22pF	5k, 63V	ANY					
C....46	59.06.0683	68nF	10k, 63V	ANY					
C....47	59.06.0683	68nF	10k, 63V	ANY					
C....48	59.06.0683	68nF	10k, 63V	ANY					
C....49	59.06.0683	68nF	10k, 63V	ANY					
C....50	59.06.0683	68nF	10k, 63V	ANY					
C....51	59.06.0683	68nF	10k, 63V	ANY					
C....52	59.06.0683	68nF	10k, 63V	ANY					
C....53	59.06.0683	68nF	10k, 63V	ANY					
C....54	59.06.0683	68nF	10k, 63V	ANY					
DL...1	50.04.2129	LS 3160	(RED)	ANY					
DL...2	50.04.2162	HLMF 1540	(GREEN)	ANY					
IC...1	50.11.0122	TL 7705	ACP	ANY					
IC...2	50.17.1074	74 HC 74		ANY					
IC...3	50.17.1032	74 HC 52		ANY					
IC...4	50.17.1000	74 HC 00		ANY					
IC...5	50.17.1165	74 HC 165		ANY					
IC...6	50.17.1193	74 HC 193		ANY					
IC...7	50.17.1138	74 HC 138		ANY					
IC...8	50.17.1008	74 HC 08		ANY					
IC...9	50.15.0120	MAX 232		ANY					
IC...10	50.17.1595	74 HC 595		ANY					
IC...11	50.17.1618	74 HC 14		ANY					
IC...12	50.17.1595	74 HC 595		ANY					
IC...13	50.17.1597	74 HC 597		ANY					
IC...14	50.17.1597	74 HC 597		ANY					
IC...15	50.17.1595	74 HC 595		ANY					
IC...16	50.17.1595	74 HC 595		ANY					
IC...17	50.17.1595	74 HC 595		ANY					
IC...18	50.17.1595	74 HC 595		ANY					
IC...15	50.17.1645	74 HC 645		ANY					
IC...20	50.17.1273	74 HC 273		ANY					
IC...21	50.17.1595	74 HC 595		ANY					
IC...22	50.17.1138	74 HC 138		ANY					
IC...23	50.17.1595	74 HC 595		ANY					
IC...24	50.17.1595	74 HC 595		ANY					
IC...25	50.17.1595	74 HC 595		ANY					
IC...26	50.17.1138	74 HC 138		ANY					
IC...27	50.17.1573	74 HC 573		ANY					
IC...28	50.14.0125	HN 27128AG-25	(SW 1.328.894.24)	ANY					
IC...29	50.14.0125	HN 27128AG-25	(SW 1.328.895.24)	ANY					
IC...31	50.14.0133	HM 6261P-15		ANY					
IC...32	50.17.1541	74 HC 541		ANY					
IC...33	50.17.1000	74 HC 00		ANY					
IC...34	50.16.0119	HD63A03		ANY					
IC...35	50.17.1148	74 HC 148		ANY					
IC...36	50.17.1074	74 HC 74		ANY					
IC...37	50.17.1138	74 HC 138		ANY					
IC...38	50.06.0541	74 LS 541		ANY					
IC...40	50.17.1032	74 HC 32		ANY					
IC...41	50.06.0541	74 LS 541		ANY					
IC...42	50.06.1545	74 LS 545		ANY					
IC...43	50.50.0010	PORTMASTER		ANY					

PARALLEL AUDIO INTERFACE 1.328.630.00

- PAI Rembus + Processor 1.328.631.21



PAGE 1 OF 1

1.328.631.21

---

PARALLEL AUDIO INTERFACE

- PAI REMBUS + PROCESSOR

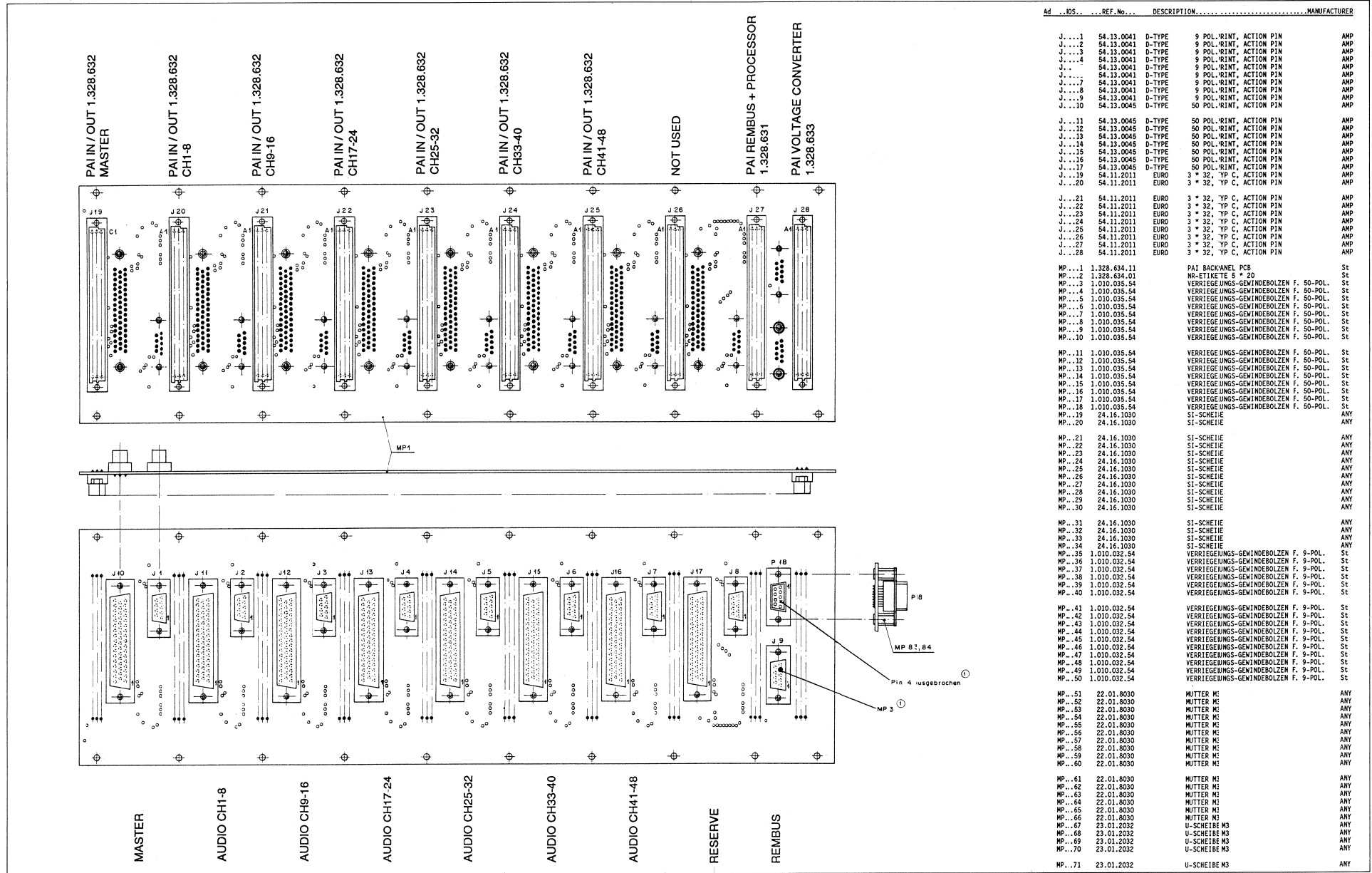
---

STUDER



PARALLEL AUDIO INTERFACE 1.328.630.00

- PAI Backpanel 1.328.634.00



**PARALLEL AUDIO INTERFACE 1.328.630.00**

- PAI Backpanel 1.328.634.00

Ad	POS	REF.No	DESCRIPTION	MANUFACTURER
MP	.72	23.01.2032	U-SCHLEIBE M3	ANY
MP	.73	23.01.2032	U-SCHLEIBE M3	ANY
MP	.74	23.01.2032	U-SCHLEIBE M3	ANY
MP	.75	23.01.2032	U-SCHLEIBE M3	ANY
MP	.76	23.01.2032	U-SCHLEIBE M3	ANY
MP	.77	23.01.2032	U-SCHLEIBE M3	ANY
MP	.78	23.01.2032	U-SCHLEIBE M3	ANY
MP	.79	23.01.2032	U-SCHLEIBE M3	ANY
MP	.80	23.01.2032	U-SCHLEIBE M3	ANY
MP	.81	23.01.2032	U-SCHLEIBE M3	ANY
MP	.82	23.01.2032	U-SCHLEIBE M3	ANY
MP	.83	1.328.634.02	NIEHMUTTER M3 x 5,7; PRINT 2,4 mm	St
MP	.84	1.328.634.02	NIEHMUTTER M3 x 5,7; PRINT 2,4 mm	St
MP	.85	1.010.035.54	VERRIEGLUNGS-GEW' BOLZEN F. 9-POL. PRINT	St
MP	.86	1.010.035.54	VERRIEGLUNGS-GEW' BOLZEN F. 9-POL. PRINT	St
MP	.87	24.16.1030	SI-SCHLEIBE	ANY
MP	.88	24.16.1030	SI-SCHLEIBE	ANY
P	.18	54.13.0026	D-TYPE 9 PSL. PRINT	AMP

REMARKS:

MANUFACTURERS:  
St = STUDER / Ph = PHILIPS / So = SONY

ABBREVIATIONS:  
CER = CERMIC / FILM = FILM TYPE / XF = CLAMP FOR FUSES /  
XIC = IC SOCKET

1.328.634.00 PAI BACKPANEL RU 89/12/2000

END

**REMBUS TERMINATION PLUG 1.862.423.00**

